

NORDYNE ENGINEERING SPECIFICATION (SYSA Friendly Rev. 2)	SPEC. NO. 1011991 REV. 0			REASON FOR REV.	
	DATE	12/6/2016	SHEET 1 OF 1	NEW PART	X
	S'SEDE'S		See literature with same #	ADDED PART	
	DATED		See vendor print w/ same #	CHANGE	

DESCRIPTION:
LABEL, WIRING DIAGRAM, ECONOMIZER CONNECTION, R7TQ-072/090/120

EXTENDED DESCRIPTION:
MATERIAL: Pressue sensitive adhesive, per Nortek Spec #800166-
COLOR: Black ink on White paper
SIZE: 8.5" X 11.0" including 0.125" perimeter border
PAGES: 1

NOTE: When printed in house, print on 8.5" x 11.0" sheet following all specifications noted

REV.	ECM	ENG. APPROVAL / DATE	TOLERANCES (UNLESS OTHERWISE SPECIFIED)	
-	402468	Richard Blasko / 10/27/2016	Fractions(±)	1/32
			Hole spacing(±)	
			Decimals(±)	0.031
			Hole Location(±)	

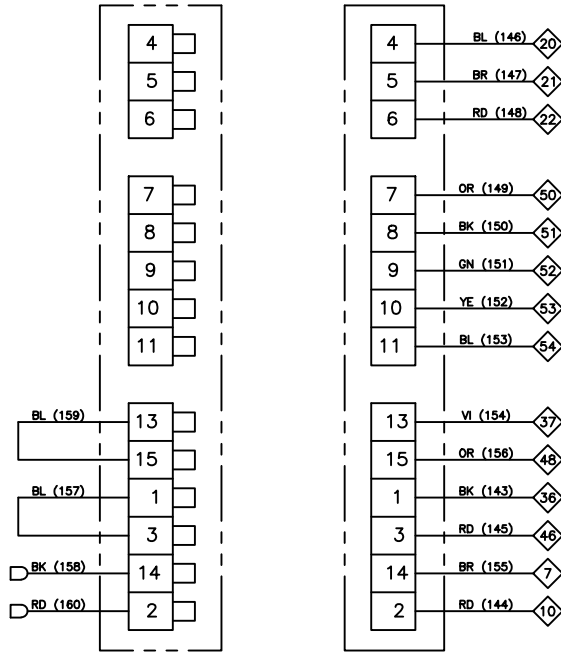
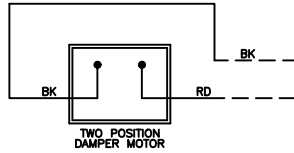
ANY CONSTRUCTION CHANGE IN THIS PART FROM THE APPROVED SAMPLE PROVIDED NORDYNE ENGINEERING (ON WHICH THIS SPECIFICATION IS BASED) MUST RECEIVE WRITTEN ENGINEERING APPROVAL PRIOR TO SUPPLYING SUCH REVISED PARTS

STANDARD CONNECTION

FACTORY JUMPERS & DAMPER CONNECTION

TO MAIN UNIT

OPTION AR72 or ZD2
MOTORIZED OUTSIDE AIR DAMPER



ECONOMIZER CONNECTION

REMOVE PLUG WITH
FACTORY JUMPERS &
USE PLUG PROVIDED
WITH ECONOMIZER

TO MAIN UNIT

