

NORDYNE ENGINEERING SPECIFICATION (SYSA Friendly Rev. 2)	SPEC. NO. 1011992 REV. 0			REASON FOR REV.	
	DATE	12/6/2016	SHEET 1 OF 1	NEW PART	X
	S'SEDE'S		See literature with same #	ADDED PART	
	DATED		See vendor print w/ same #	CHANGE	

DESCRIPTION:
LABEL, WIRING DIAGRAM, MOTOR CONNECTION, R7TQ-072/090/120

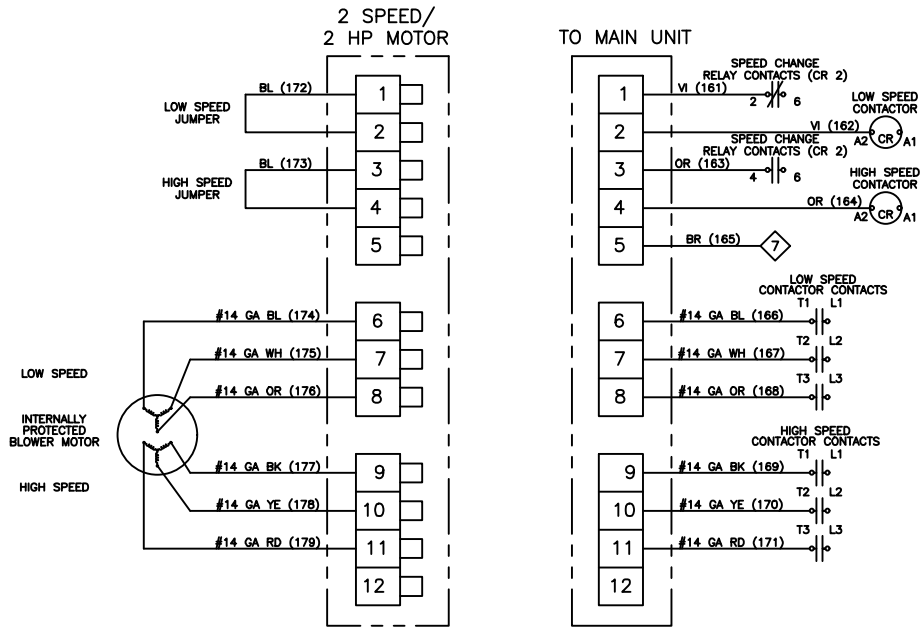
EXTENDED DESCRIPTION:
MATERIAL: Pressue sensitive adhesive, per Nortek Spec #800166-
COLOR: Black ink on White paper
SIZE: 8.5" X 11.0" including 0.125" perimeter border
PAGES: 1

NOTE: When printed in house, print on 8.5" x 11.0" sheet following all specifications noted

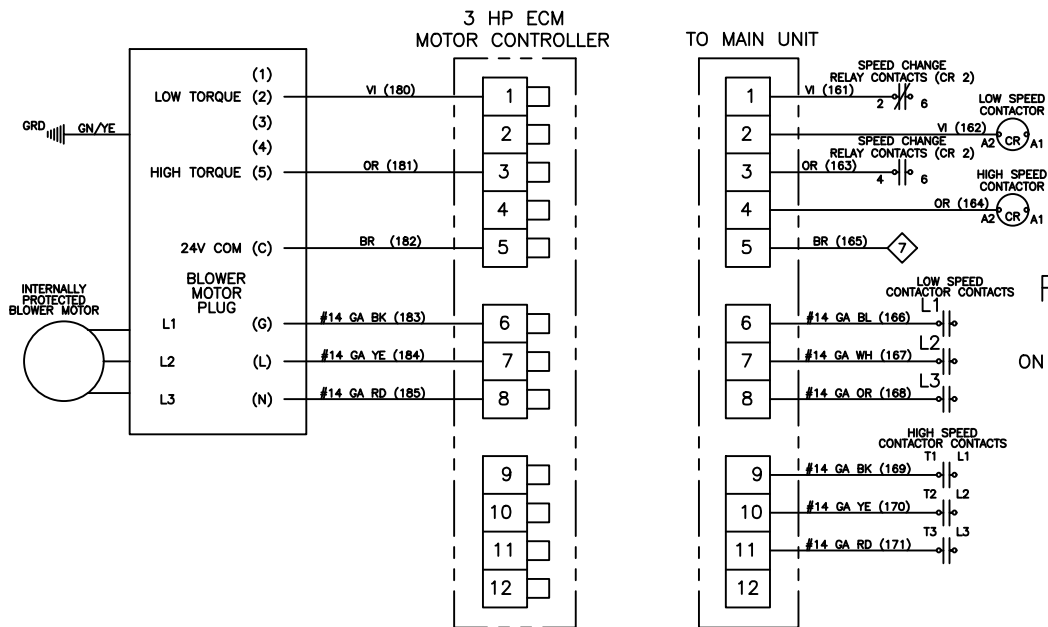
REV.	ECM	ENG. APPROVAL / DATE	TOLERANCES (UNLESS OTHERWISE SPECIFIED)	
-	402468	Richard Blasko / 10/27/2016	Fractions(±)	1/32
			Hole spacing(±)	
			Decimals(±)	0.031
			Hole Location(±)	

ANY CONSTRUCTION CHANGE IN THIS PART FROM THE APPROVED SAMPLE PROVIDED NORDYNE ENGINEERING (ON WHICH THIS SPECIFICATION IS BASED) MUST RECEIVE WRITTEN ENGINEERING APPROVAL PRIOR TO SUPPLYING SUCH REVISED PARTS

2 SPEED/2 HP MOTOR STANDARD CONNECTION



3 HP ECM MOTOR FIELD CONNECTION



FIELD NOTE:
MOVE TO L1, L2, L3
ON LOW SPEED CONTACTOR

