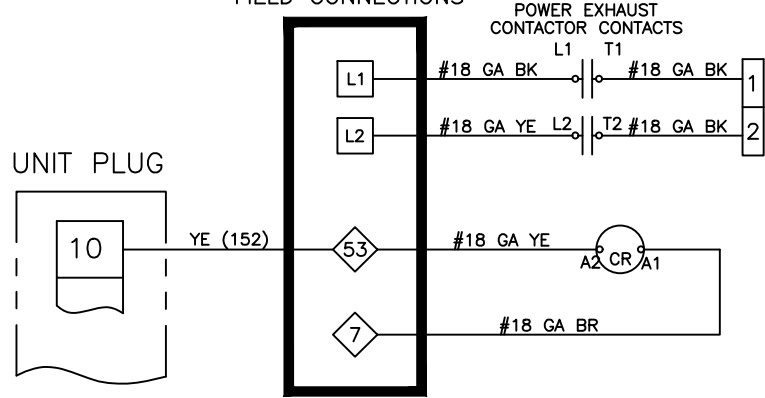


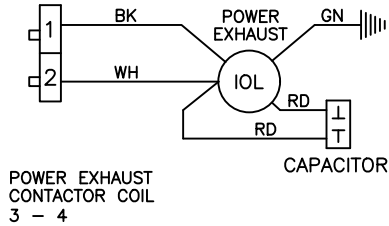
208-230/460 VOLT

1
2
3
4
5
6
7
8
9

POWER EXHAUST FIELD CONNECTIONS



REFER TO INSIDE MOTOR COVER PLATE FOR VOLTAGE WIRING



WIRING CODE

- BLACK - BK**
- BROWN - BR**
- RED - RD**
- ORANGE - OR**
- YELLOW - YE**
- GREEN - GN**
- BLUE - BL**
- VIOLET - VI**
- WHITE - WH**
- GRAY - GR**



TERMINAL BLOCK -- UNIT PANEL (HIGH VOLTAGE SECTION)

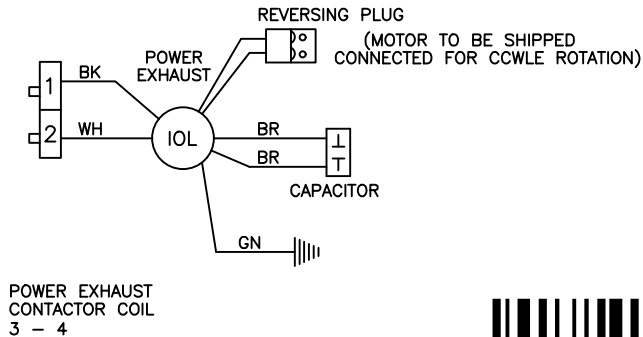
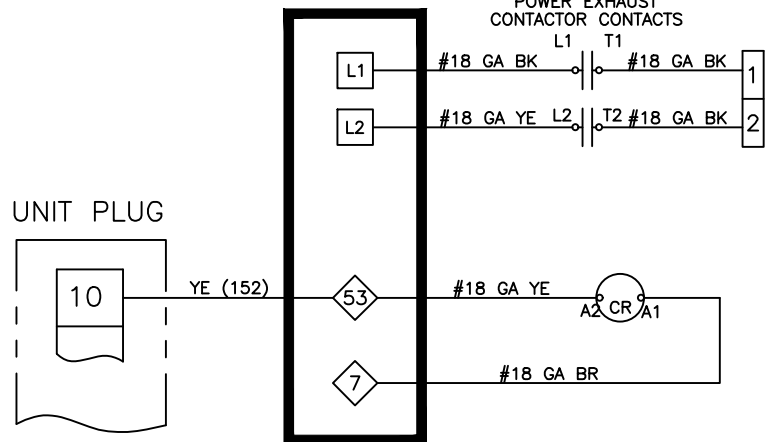


TERMINAL BLOCK -- UNIT PANEL (LOW VOLTAGE SECTION)

575 VOLT

1
2
3
4
5
6
7
8
9

POWER EXHAUST FIELD CONNECTIONS



10137510

NEW
1/18