

I-YDMA & YDHA Cabinet 062/092 Power Exhaust Kit

INSTALLATION INSTRUCTIONS

IMPORTANT SAFETY INFORMATION

Please read all instructions before servicing this equipment. Pay attention to all safety warnings and any other special notes. Safety markings are used frequently throughout these instructions to designate a degree or level of seriousness and should not be ignored. **WARNING** indicates a potentially hazardous situation that if not avoided, could result in personal injury or death. **CAUTION** indicates a potentially hazardous situation that if not avoided, may result in minor or moderate injury or property damage.

WARNING:

ELECTRICAL SHOCK, FIRE OR EXPLOSION HAZARD

Failure to follow safety warnings exactly could result in serious injury or property damage.

Improper servicing could result in dangerous operation, serious injury, death or property damage.

- Before servicing, disconnect all electrical power to the indoor blower.
- Verify proper operation after servicing.

WARNING:

The information listed in these instructions must be followed during the installation, service, and operation of this unit. Unqualified individuals should not attempt to interpret these instructions or install this equipment. Failure to follow safety recommendations could result in possible damage to the equipment, serious personal injury or death.

CAUTION:

To avoid personal injury or property damage, make sure the motor leads do not come into contact with any metal components of the unit.

- Before beginning the installation, verify the unit model number. The unit model number is printed on the data label.
- This equipment contains liquid and gaseous refrigerant under high pressure. Installation or servicing should only be performed by qualified trained personnel thoroughly familiar with this type equipment.
- Follow all precautions in the literature, on tags, and on labels provided with the equipment. Read and thoroughly understand the instructions provided with the equipment prior to performing the installation and operational checkout of the equipment.

- **Assembly and installation of the power exhaust is the responsibility of the installer.**

- Use caution when handling this appliance or removing components. Personal injury can occur from sharp metal edges present in all sheet metal constructed equipment.

BEFORE YOU INSTALL THIS UNIT

- ✓ Read these installation instructions thoroughly before proceeding with fan blade replacement.
- ✓ Verify there was no damage incurred during shipping
- ✓ Check your kit and make sure all necessary items are enclosed. This includes:

- Power Exhaust
- Hood components
- Installation Instructions

AR2D Power Exhaust Components (208v/230v) PN 1012610			
1005373	Top	1	
273068	Right Side	1	
273069	Left Side	1	
011813	SMS #10-16x1/2" AB Stalgard	30	
53335N	3oz Tube Adhesive Sealant	1	
1005288	208v/230v Exhaust Fan Assembly	1	
AR2D Power Exhaust Components (460v) PN 1012611			
1005373	Top	1	
273068	Right Side	1	
273069	Left Side	1	
011813	SMS #10-16x1/2" AB Stalgard	30	
53335N	3oz Tube Adhesive Sealant	1	
1005287	460v Exhaust Fan Assembly	1	
AR2H Power Exhaust Components (208v/230v) PN 1013113			
1005373	Top	1	
273068	Right Side	1	
273069	Left Side	1	
011813	SMS #10-16x1/2" AB Stalgard	30	
53335N	3oz Tube Adhesive Sealant	1	
1005288	208v/230v Exhaust Fan Assembly	1	
AR2H Power Exhaust Components (460v) PN 1013114			
1005373	Top	1	
273068	Right Side	1	
273069	Left Side	1	
011813	SMS #10-16x1/2" AB Stalgard	30	
53335N	3oz Tube Adhesive Sealant	1	
1005287	460v Exhaust Fan Assembly	1	

1. Remove the top panel of the exhaust box that was shipped separate from the unit.
2. Position the powered exhaust unit assembly such that the plugged power connection can be made before setting the unit into location. See Figure 1.
3. Connect the single point wiring plug.
4. Lace the tubing for the high static tap into the power exhaust unit through the grommet as shown in Figure 2.
5. Apply sealant around perimeter of the outside of the unit opening.
6. Install with the bottom lip sliding over the bottom of the opening panel. Once unit is located fasten into position with supplied sheet metal screws.
7. Attach static tube to barbed fitting on top of fan shroud. See Figure 2.
8. Apply sealant to mating surfaces of exhaust hood sides prior to fastening into position.
9. Attach both sides to louver frame with supplied fasteners. See Figure 3.
10. Apply sealant to mating surfaces of top of exhaust hood and fasten in position. See Figure 3.
11. Apply sealant to mating surfaces to exhaust box top.
12. Re-Install top with sheet metal screws removed in step 1
13. Energize unit and verify components are operating and rotating correctly. (Refer to sect. 10.3 installation manual)
14. Return unit to service.

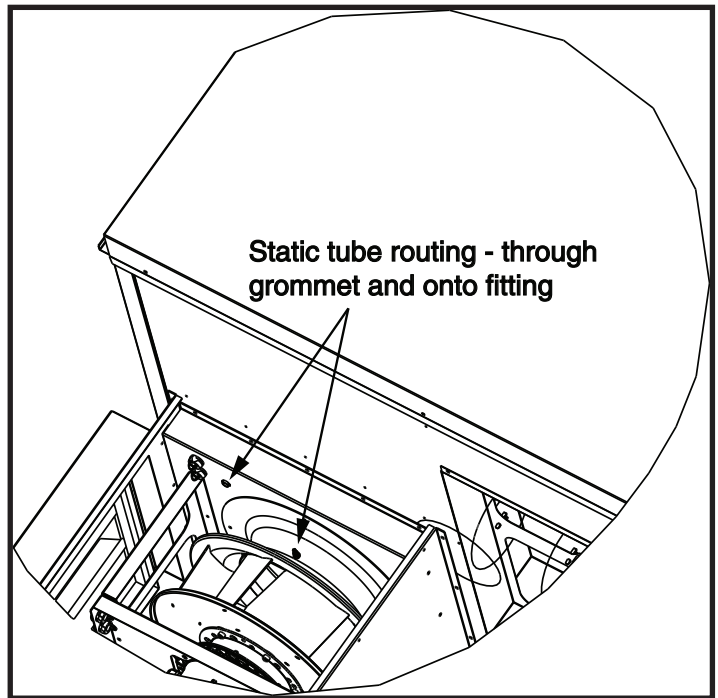


Figure 2. Tubing Routing Location

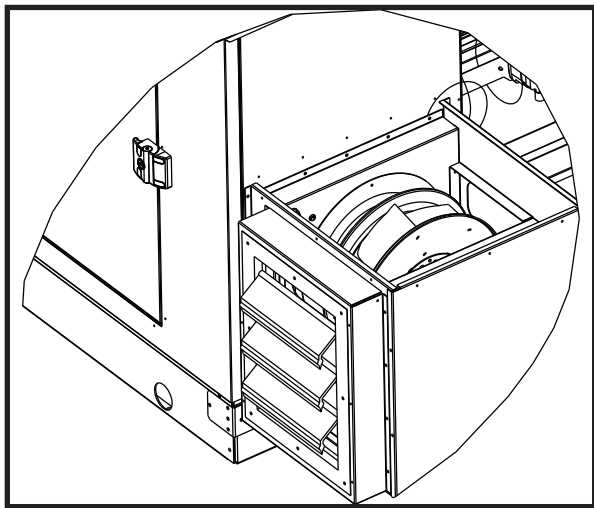


Figure 1. Power Exhaust in Position (Top Removed)

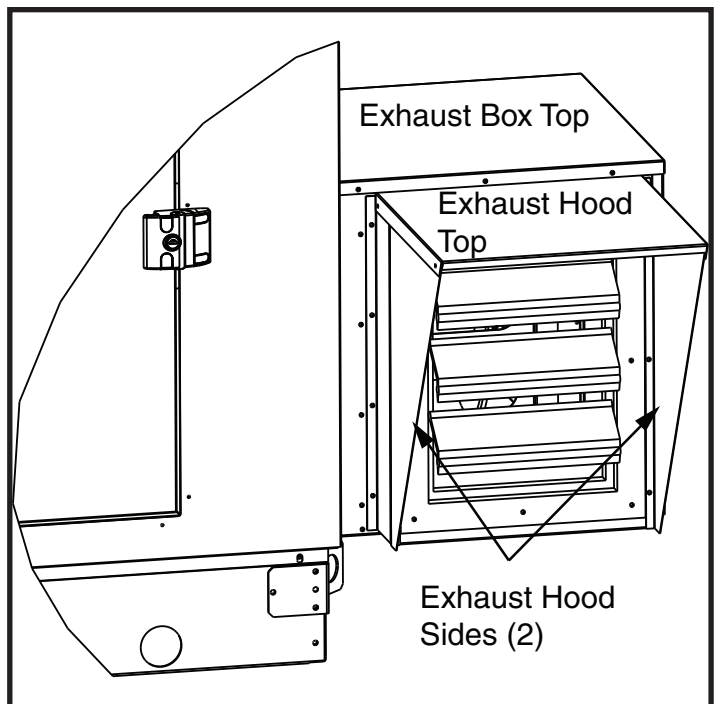


Figure 3. Completed Unit