

## R6GF Series Rev B

### Single Packaged Gas/Electric Units Two-Stage Heat/Cool with Variable Speed Blower

#### R6GF 15 SEER, 81% AFUE 2-5 Ton Units

These single packaged gas/electric systems are high efficiency self contained heating and cooling units that can be installed on the roof or on a slab. The convertible unit design makes installations simple in all applications. Units are ETL listed.



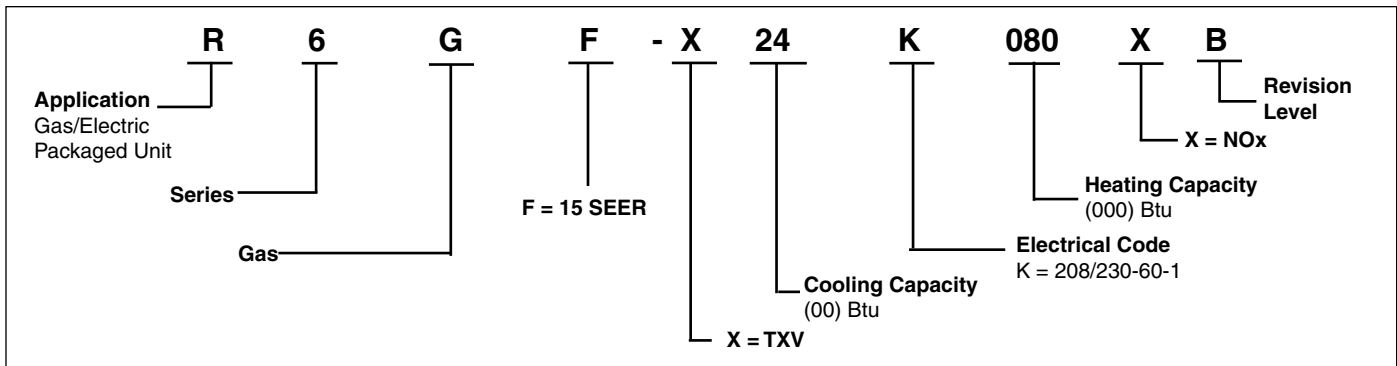
This furnace series is approved and certified by the SCAQM and the SJVAPC Districts in the state of California under each Districts' Mitigation Fee Plan for shipment into and sales in both districts.

For California installations in SCAQMD only: This furnace does not meet the SCAQMD Rule 1111 NOx emission limit (14 ng/J), and thus is subject to a mitigation fee of up to \$450. This furnace is not eligible for the Clean Air Furnace Rebate Program: [www.CleanAirFurnaceRebate.com](http://www.CleanAirFurnaceRebate.com).

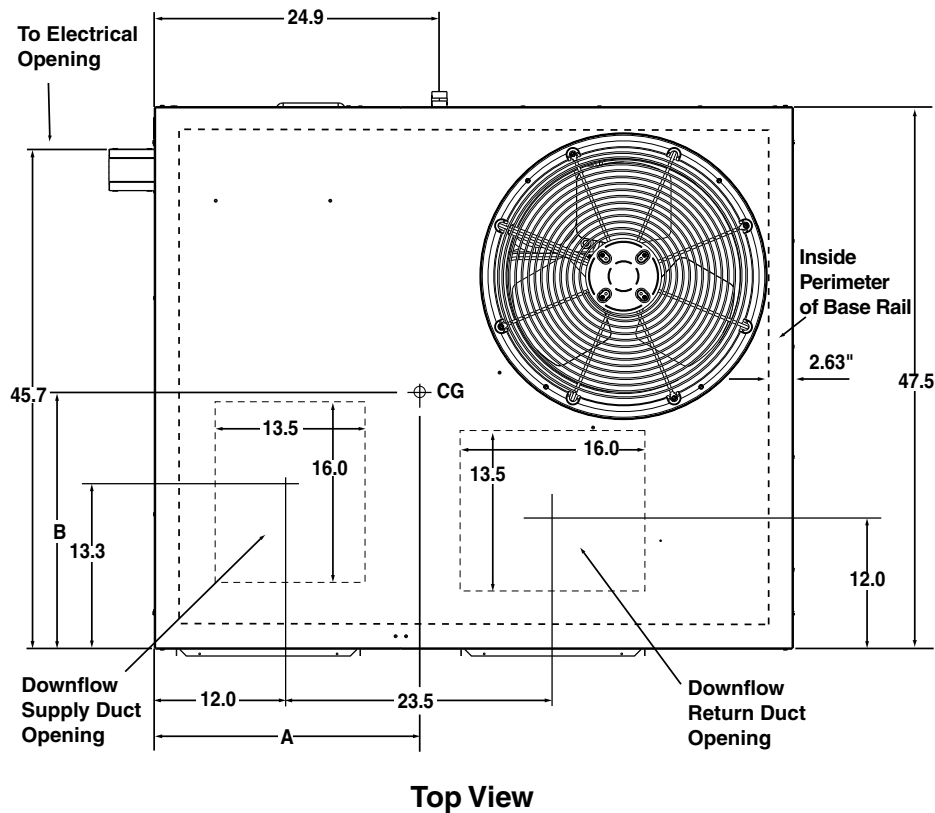
## FEATURES and BENEFITS

- **Copeland Ultra-Tech Scroll Compressor:** State of the art, two stage compressor is standard equipment.
- **Quiet Operation and Low Vibration:** Swept-wing fan blade combined with custom Venturi condenser fan orifice.
- **Compressor Sound Blanket:** Is standard equipment.
- **Wire Guard Coated with Earth Friendly Epoxy and Plastic Mesh Hail Guard:** A guard that will never rust and protects the units coil from being damaged.
- **Anteater® Coil Technology:** For increased resistance against formicary corrosion, the number one cause of evaporator coil failures.
- **Designed Using Galvanized Steel:** With a polyester urethane coat finish. The 950 hour salt spray finish is 1.5 mil thick and resists corrosion 50% better than comparable units.
- **Smaller Panels, Great Fit and Finish, Total Seal:** Well-designed, quality construction.
- **One Piece Top Pan:** With drip edge on top panels whisks away rainwater.
- **Embossed Bottom Pan:** Keeps blower component compartment dry.
- **Permanently Lubricated Condenser Motor:** A heavy duty PSC motor for long lasting reliability and quiet operation. Requires no maintenance and is protected from rain and snow.
- **Thermostatic Expansion Valve:** Factory installed, externally equalized thermostatic expansion valve provides precise refrigerant control under varying load conditions.
- **Hi/Low Pressure Switches:** Ensure long compressor life.
- **Externally Accessible, High Flow Service Ports:** Quick access to refrigeration system.
- **Liquid Line Filter Drier:** Factory installed at a convenient location for service.
- **Two-Stage Heat Operation:** Featuring a two stage gas valve and 2 speed inducer motor.
- **Choice of Heating Control:** Two stage thermostat or single stage heating thermostat with on the control board timing of 5 or 10 minute delay for second stage of heat.
- **Low Voltage Transformer:** Includes 5 Amp fuse to protect low voltage circuit.
- **Corrosion-Resistant Drain Pan:** Quickly drains away evaporator condensate.
- **ECM Variable Speed Blower Motor:** Advanced technology allows the motor to automatically adjust to different static loads. The variable speed motor allows for extra quiet operation and improved air quality.
- **Heavy-Gauge, Full Perimeter Base Rails:** Facilitates forklift handling and curb mounting.
- **Convertible Air Delivery:** Horizontal or downflow to accommodate rooftop or horizontal applications.
- **Easy Compressor and Control Access:** Designed to make servicing easier for the contractor, access panels are provided to all controls and the compressor from the side of the unit.
- **Easy Access:** To the evaporator coil for cleaning and general maintenance.
- **Removable Top Grille Assembly:** Allows ease of service to the fan motor.
- **Duct Flanges:** Reduce installation costs.
- **Proven, Industry Standard Components:** Easier service and availability.
- **SmartLite® Control Board:** Provides extended life to igniters using hot surface ignition technology. Programmed to learn the heat-up characteristics of the igniter, then adapt the ignition time to the characteristics of the furnace so the igniter is energized appropriately.
- **Hot Surface Igniter:** Innovative application of an appliance type igniter with a 20 year history of reliability.
- **Accessories:** Roof curbs and more.

# MODEL IDENTIFICATION CODE

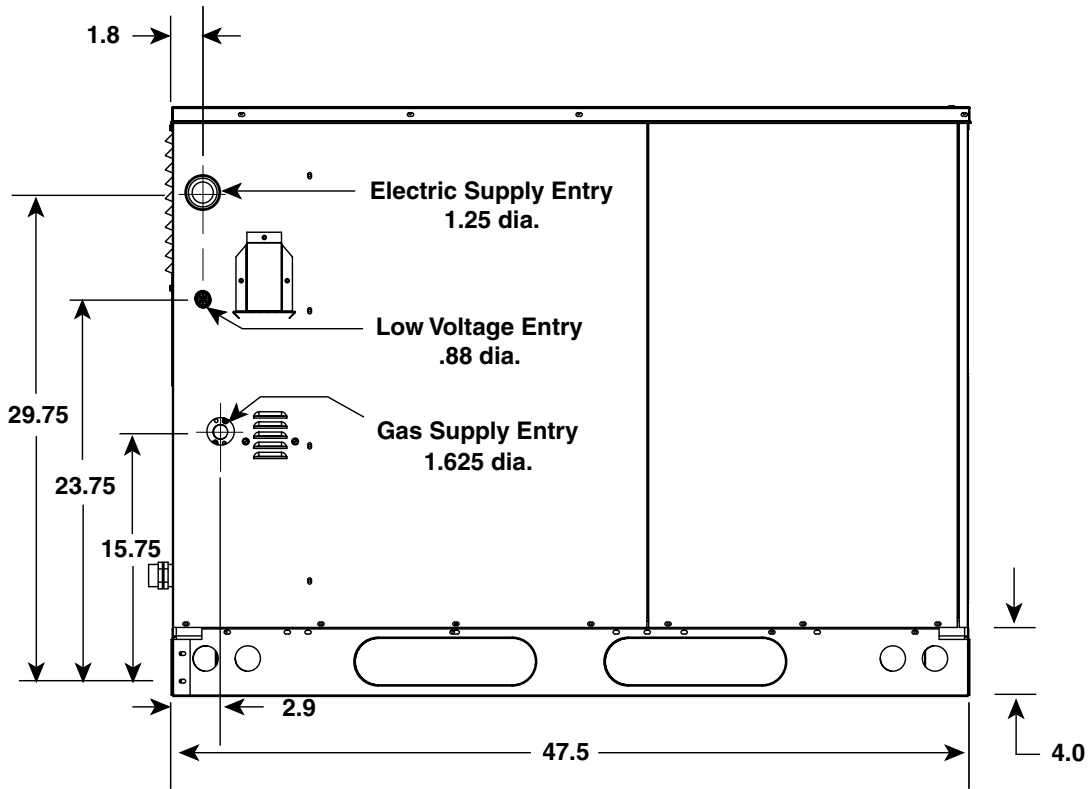


# DIMENSIONS

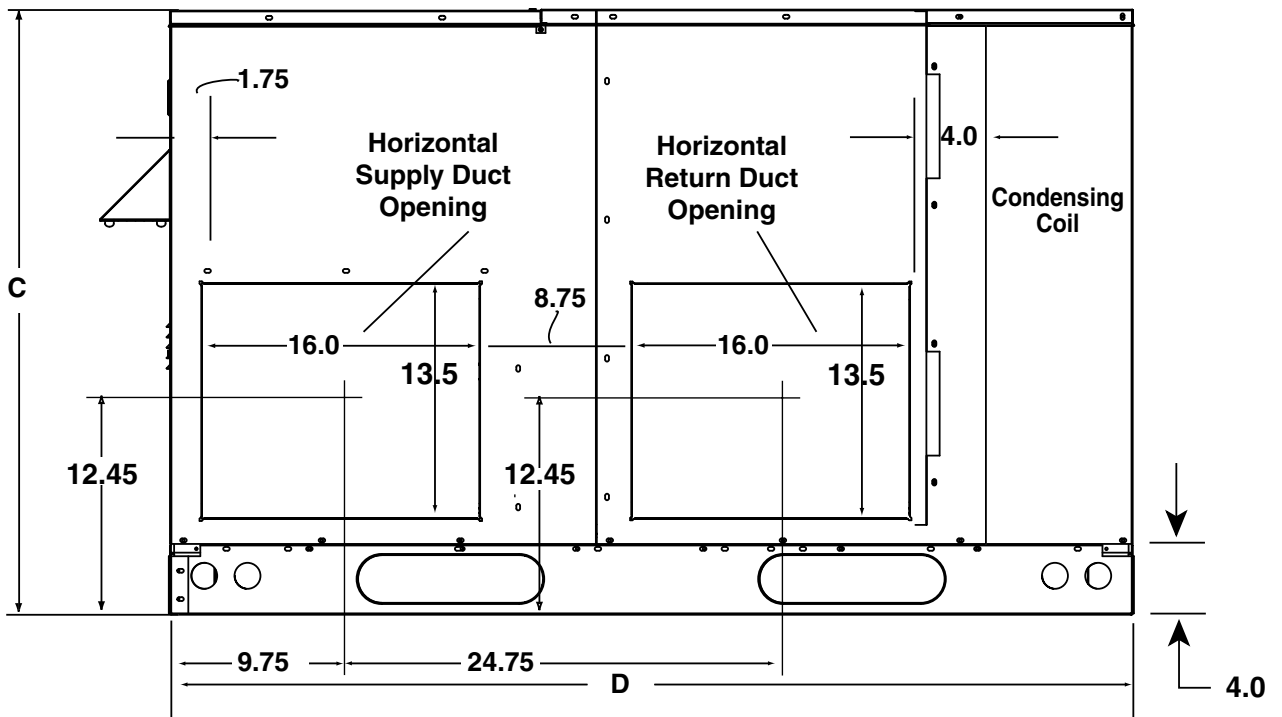


Model Number	Unit Weight	Shipping Weight	Center of Gravity		Height (in inches)		Length D
			A	B	C		
					with base rails	without base rails	
X24K080XB	460	470	26.0	27.0	39.0	35.3	55.8
X36K100XB	480	490	26.0	27.0	39.0	35.3	55.8
X48K120XB	609	618	26.0	27.0	47.0	43.3	55.8
X60K120XB	659	675	30.0	26.5	47.0	43.3	63.6

# DIMENSIONS (Continued)



Side View



Back View

## SPECIFICATIONS AND ELECTRICAL DATA

### SINGLE PHASE

MODEL	R6GF-X24K080XB	R6GF-X36K100XB	R6GF-X48K120XB	R6GF-X60K120XB
Heating Input High/Low Btuh	80,000 / 52,000	100,000 / 65,000	120,000 / 78,000	120,000 / 78,000
Heating Output High/Low Btuh	64,800 / 42,120	81,000 / 52,650	97,200 / 63,180	97,200 / 63,180
Capacity-Cooling Btuh	24,000	35,200	47,000	55,500
AFUE	81	81	81	81
Efficiency -- SEER	15.00	15.00	15.00	15.00
Efficiency -- EER	12.00	12.00	12.00	12.00
<b>Electrical Rating - 60 Hz</b>				
Phase	1	1	1	1
Operating Voltage Range	187 - 253	187 - 253	187 - 253	187 - 253
Minimum Circuit Ampacity	20.3	25.4	37.5	47
Max. Overcurrent Protection	30	40	50	70
<b>Compressor Data</b>				
Volts	208 / 230	208 / 230	208 / 230	208 / 230
Rated Load Amps	11.7	15.3	21.2	28.8
Lock Rotor Amps	58.3	83	104	152.9
<b>Indoor Blower</b>				
Wheel Diameter	10 x 10	10 x 10	11 x 10	11 x 10
Motor Type	Variable Speed	Variable Speed	Variable Speed	Variable Speed
Motor HP	1/2	1/2	1	1
Motor Amps	4.3	4.3	9.1	9.1
<b>Outdoor Fan</b>				
Motor HP	1/4	1/4	1/4	1/4
Motor Amps	0.91	1.46	1.46	1.46
Fan Diameter/CFM	20" / 3500	24" / 4000	24" / 4000	24" / 4000
<b>Refrigerant Charge (oz)</b>	131.2	128	240	272
<b>Sound Rating</b>	72	74	75	78

# AIRFLOW DATA

## Nominal Airflow Rates and Temperature Rise

Model Number	Heating Input (Btuh)	Heating Output (Btuh)	CFM Range	Heating Rise Range (°F)	Cooling Output (Btuh)	Blower Size	Motor (HP)
X24K080XB	80,000	64,800	1100 - 1350	35-65	24,000	10 X 10	1/2
	52,000	42,120	750 - 1050				
X36K100XB	100,000	81,000	1100 - 1400	40-70	35,200	10 X 10	1/2
	65,000	52,650	950 - 1100				
X48K120XB	120,000	97,200	1500 - 2000	40-70	47,000	11 X 10	1
	78,000	63,180	950 - 1250				
X60K120XB	120,000	97,200	1500 - 2000	40-70	55,500	11 X 10	1
	78,000	63,180	950 - 1250				

NOTE: CFM and Rise are independent of ESP in a variable speed blower.

## Cooling Airflow Settings

2 TON UNITS				3 TON UNITS				4 - 5 TON UNITS				
BLOWER SELECTOR SETTING		RECOMMENDED A/C AIRFLOW RATE (CFM)		BLOWER SELECTOR SETTING		RECOMMENDED A/C AIRFLOW RATE (CFM)		BLOWER SELECTOR SETTING		RECOMMENDED A/C AIRFLOW RATE (CFM)		
COOL	ADJUST			COOL	ADJUST			COOL	ADJUST			
TAP "A"	-10%	2 TON	720	TAP "A"	-10%	3 TON	875	TAP "A"	-10%	4 TON	5 TON	1440
	Normal		800		Normal		970		Normal			1600
	+10%		880		+10%		1065		+10%			1760
TAP "B"	-10%		810	TAP "B"	-10%		1050	TAP "B"	-10%			1530
	Normal	900	Normal		<b>1170</b>	Normal	1700					
	+10%	990	+10%		1290	+10%	1870					
TAP "C"	-10%		900	TAP "C"	-10%		1140	TAP "C"	-10%			<b>1620</b>
	Normal	1000	Normal		1270	Normal	1800					
	+10%	1100	+10%		1400	+10%	1980					
TAP "D"	-10%		1080	TAP "D"	-10%		1260	TAP "D"	-10%			1710
	Normal	1200	Normal		1400	Normal	1900					
	+10%	1320	+10%		1540	+10%	2090					

NOTE: Blower "ADJUST" tap non-functional in Heating mode.

## Heating Airflow Settings

Blower HEAT Selector Setting	2 TON				3 TON				4 & 5 TON			
	Low Input		High Input		Low Input		High Input		Low Input		High Input	
	52,000		80,000		65,000		100,000		78,000		120,000	
	CFM	Rise	CFM	Rise	CFM	Rise	CFM	Rise	CFM	Rise	CFM	Rise
TAP "A"	750	51	1100	55	950	51	1100	69	950	61	1500	61
TAP "B"	850	45	1150	53	1000	48	1200	63	1050	55	1700	54
TAP "C"	<b>950</b>	<b>41</b>	<b>1250</b>	<b>49</b>	<b>1050</b>	<b>46</b>	<b>1300</b>	<b>58</b>	<b>1150</b>	<b>50</b>	<b>1800</b>	<b>51</b>
TAP "D"	1050	37	1350	45	1100	44	1400	54	1250	46	2000	46

### NOTES:

1. Recommended temperature rises are highlighted in **bold**. Use of any other setting may result in nuisance trips.
2. Temperature rises in the table are approximate. Actual temperature rises may vary.

## R6GF ACCESSORIES

Description	Part Number
Roof Curb (8")	547830
Roof Curb (14")	547831
Roof Curb (18")	547850
Roof Curb (24")	547851
Cap, Duct Adapter, 12" Round	913811A
Cap, Duct Adapter, 14" Round	913812A
Low Ambient Kit	918837
U.S. LP Gas Conversion Kit (0 ft to 10,000 ft above sea level)	904404A
Canadian LP Gas Conversion Kit (0 to 4,500 ft above sea level)	904405A
Universal Hard Start Kit	912933
Economizer, downflow w/filter modulating, enthalpy controlled	563209
Economizer, horizontal w/filter modulating, enthalpy controlled	562534
Power Exhaust, requires horizontal economizer, 208-230/1/60	547843
Power Exhaust, requires downflow economizer, 208-230/1/60	547842
Skirt Trim Kit 24,36,48	919729
Skirt Trim Kit 60	920936
Freezestat Kit	917108
Supply/return transition, 16"	547834
Supply/return transition, 18"	547835
Concentric diffuser, flush, 16"	547836
Concentric diffuser, flush, 18"	547837
Concentric diffuser, step down 16"	547838
Concentric diffuser, step down 18"	547839
Manual Fresh Air Damper	547832
Motorized Fresh Air Damper	547840
Hood Type Hail Guard, coil Dim. 34" x 76" X24, X36	547846
Hood Type Hail Guard, Coil Dim. 38" x 76" X48, X60	547847
Duct Smoke Detector Photo Elec	558863
Multi Signal Control	558866
Sampling Tube DST3, 2-4ft.	558864
Sampling Tube DST5, 4-8ft.	558865
CO <sub>2</sub> Sensor - Wall Mount	920317
CO <sub>2</sub> Sensor - Duct Mount	920318
Differential Enthalpy Control	922431

# EXPANDED RATINGS

## R6GF-X24KB - HIGH SPEED

O.D.T			65°F			75°F			85°F			95°F			105°F			115°F		
CFM	E.D.B.	E.W.B.	T.C.	S.C.	K.W.	T.C.	S.C.	K.W.	T.C.	S.C.	K.W.	T.C.	S.C.	K.W.	T.C.	S.C.	K.W.	T.C.	S.C.	K.W.
650	80	62	25.0	21.6	1.25	24.0	21.1	1.44	22.9	20.6	1.65	21.8	20.1	1.89	20.7	19.5	2.17	19.5	18.9	2.50
	80	67	27.2	18.2	1.28	26.0	17.8	1.46	24.8	17.3	1.67	23.6	16.8	1.91	22.3	16.2	2.19	21.0	15.7	2.52
	80	72	29.7	14.9	1.31	28.5	14.4	1.49	27.2	14.0	1.70	25.9	13.5	1.93	24.5	13.0	2.21	23.0	12.4	2.55
	75	62	24.9	16.4	1.48	24.1	16.4	1.64	23.1	16.5	1.81	22.0	16.2	2.00	20.7	14.8	2.22	19.3	16.0	2.48
800	80	62	26.1	24.3	1.26	25.0	23.8	1.45	24.0	23.3	1.66	23.0	22.4	1.90	21.9	21.3	2.19	20.8	20.2	2.52
	80	67	28.2	20.2	1.29	27.0	19.7	1.47	25.7	19.2	1.68	24.5	18.8	1.92	23.1	18.2	2.20	21.7	17.6	2.53
	80	72	30.8	16.2	1.32	29.5	15.7	1.50	28.1	15.2	1.71	26.7	14.7	1.94	25.2	14.2	2.22	23.5	13.6	2.55
	75	62	25.9	18.4	1.49	25.0	18.9	1.64	24.0	18.5	1.81	22.8	18.3	2.00	21.5	18.2	2.22	20.0	18.1	2.48
950	80	62	27.2	26.5	1.28	26.2	25.6	1.46	25.2	24.5	1.67	24.1	23.5	1.91	23.0	22.4	2.20	21.7	21.2	2.53
	80	67	29.0	22.2	1.30	27.8	21.7	1.48	26.5	21.1	1.69	25.1	20.6	1.92	23.7	20.0	2.20	22.2	19.4	2.54
	80	72	31.5	17.4	1.33	30.1	16.9	1.51	28.5	16.4	1.71	27.1	15.8	1.95	25.5	15.2	2.23	23.9	14.6	2.56
	75	62	26.6	20.6	1.49	25.7	20.8	1.65	24.6	20.4	1.82	23.4	20.3	2.01	22.0	20.1	2.22	20.6	20.0	2.49

## R6GF-X24KB - LOW SPEED

O.D.T			65°F			75°F			85°F			95°F			105°F			115°F		
CFM	E.D.B.	E.W.B.	T.C.	S.C.	K.W.	T.C.	S.C.	K.W.	T.C.	S.C.	K.W.	T.C.	S.C.	K.W.	T.C.	S.C.	K.W.	T.C.	S.C.	K.W.
550	80	62	18.7	15.7	0.98	18.1	15.6	1.08	17.4	15.7	1.19	16.6	15.5	1.30	15.8	15.5	1.44	14.9	14.7	1.59
	80	67	20.2	12.7	0.98	19.6	12.7	1.08	18.8	12.8	1.19	17.9	12.6	1.31	16.9	12.4	1.44	15.8	11.9	1.60
	80	72	22.1	9.6	0.99	21.3	9.6	1.09	20.4	9.8	1.19	19.4	9.7	1.31	18.3	9.5	1.44	17.1	9.7	1.60
	75	62	18.6	13.0	0.98	18.0	12.9	1.08	17.2	13.0	1.19	16.4	12.8	1.30	15.5	11.8	1.44	14.5	12.7	1.60
650	80	62	19.4	17.4	0.98	18.8	17.6	1.08	18.2	16.9	1.19	17.4	16.4	1.30	16.6	16.0	1.44	15.6	15.5	1.60
	80	67	20.8	14.0	0.98	20.1	14.4	1.09	19.3	14.1	1.19	18.3	14.0	1.31	17.3	14.0	1.44	16.2	14.0	1.60
	80	72	22.5	10.4	0.99	21.7	10.9	1.09	20.8	10.6	1.20	19.8	10.5	1.31	18.7	10.6	1.44	17.4	10.6	1.60
	75	62	19.1	14.3	0.98	18.5	14.6	1.08	17.7	14.3	1.19	16.8	14.2	1.30	15.9	14.1	1.44	14.9	14.1	1.59
750	80	62	20.2	18.4	0.98	19.6	18.3	1.08	18.9	17.6	1.19	18.1	17.2	1.31	17.2	16.6	1.44	16.2	16.1	1.60
	80	67	21.2	15.4	0.98	20.5	15.7	1.09	19.6	15.3	1.19	18.7	15.3	1.31	17.6	15.2	1.44	16.5	15.3	1.60
	80	72	22.8	11.4	0.99	22.0	11.7	1.09	21.2	11.4	1.20	20.1	11.4	1.31	19.0	11.3	1.44	17.7	11.4	1.60
	75	62	19.6	15.7	0.98	18.9	15.9	1.08	18.1	15.6	1.19	17.2	15.5	1.30	16.3	15.3	1.44	15.2	15.2	1.60

# EXPANDED RATINGS (CONTINUED)

## R6GF-X36KB - HIGH SPEED

O.D.T			65°F			75°F			85°F			95°F			105°F			115°F		
CFM	E.D.B.	E.W.B.	T.C.	S.C.	K.W.	T.C.	S.C.	K.W.	T.C.	S.C.	K.W.	T.C.	S.C.	K.W.	T.C.	S.C.	K.W.	T.C.	S.C.	K.W.
950	80	62	36.5	28.3	2.16	35.2	28.1	2.39	33.7	28.3	2.65	32.0	27.7	2.94	30.2	29.2	3.26	28.3	27.3	3.63
	80	67	39.6	23.3	2.18	38.1	23.2	2.41	36.5	23.4	2.67	34.7	22.9	2.96	32.7	22.5	3.28	30.5	21.0	3.66
	80	72	43.3	17.9	2.21	41.7	17.9	2.44	39.9	18.2	2.70	37.9	17.8	2.99	35.7	17.5	3.31	33.3	17.9	3.69
	75	62	36.3	23.6	2.18	35.0	23.5	2.41	33.5	23.9	2.67	31.9	23.2	2.96	30.1	21.3	3.29	28.0	22.8	3.66
1100	80	62	37.7	30.8	2.16	36.3	31.5	2.40	34.7	30.8	2.66	33.0	30.4	2.94	31.2	30.0	3.27	29.4	29.1	3.64
	80	67	40.7	25.1	2.19	39.2	25.9	2.42	37.5	25.2	2.68	35.6	25.0	2.97	33.5	24.9	3.29	31.2	24.8	3.66
	80	72	44.3	19.1	2.22	42.7	20.0	2.44	40.8	19.5	2.71	38.7	19.3	3.00	36.4	19.4	3.32	33.8	19.4	3.69
	75	62	37.4	25.8	2.19	36.0	26.4	2.42	34.5	25.6	2.68	32.7	25.3	2.97	30.8	25.2	3.29	28.7	25.0	3.66
1250	80	62	38.7	33.6	2.17	37.2	33.8	2.41	35.7	32.9	2.67	34.0	32.3	2.95	32.3	31.2	3.28	30.4	30.3	3.65
	80	67	41.6	27.3	2.19	40.0	27.7	2.43	38.2	27.1	2.69	36.3	27.0	2.97	34.2	26.7	3.30	31.8	26.8	3.67
	80	72	45.1	20.8	2.22	43.4	21.2	2.45	41.4	20.7	2.72	39.2	20.7	3.01	36.9	20.5	3.33	34.4	20.7	3.70
	75	62	38.3	27.9	2.20	36.8	28.1	2.43	35.2	27.5	2.69	33.4	27.4	2.97	31.4	26.9	3.30	29.3	26.8	3.67

## R6GF-X36KB - LOW SPEED

O.D.T			65°F			75°F			85°F			95°F			105°F			115°F		
CFM	E.D.B.	E.W.B.	T.C.	S.C.	K.W.	T.C.	S.C.	K.W.	T.C.	S.C.	K.W.	T.C.	S.C.	K.W.	T.C.	S.C.	K.W.	T.C.	S.C.	K.W.
750	80	62	24.9	20.7	1.39	24.0	20.6	1.54	23.1	20.7	1.70	22.0	20.3	1.88	20.9	20.5	2.08	19.7	19.3	2.31
	80	67	26.9	16.7	1.40	26.0	16.6	1.55	24.9	16.8	1.71	23.7	16.6	1.89	22.4	16.3	2.09	20.9	15.5	2.31
	80	72	29.2	12.7	1.42	28.1	12.7	1.57	27.0	13.0	1.73	25.6	12.8	1.90	24.2	12.6	2.10	22.6	12.8	2.33
	75	62	24.7	17.2	1.39	23.8	17.1	1.54	22.9	17.2	1.70	21.7	16.9	1.88	20.5	15.5	2.08	19.1	16.7	2.30
850	80	62	25.6	22.2	1.39	24.7	22.6	1.54	23.7	22.0	1.71	22.7	21.4	1.88	21.6	20.9	2.08	20.4	20.2	2.31
	80	67	27.5	17.9	1.40	26.5	18.4	1.55	25.4	18.0	1.72	24.1	17.9	1.90	22.8	17.9	2.09	21.2	17.8	2.32
	80	72	29.6	13.5	1.42	28.5	14.1	1.57	27.4	13.8	1.73	26.0	13.6	1.91	24.5	13.7	2.11	22.9	13.7	2.33
	75	62	25.3	18.4	1.39	24.4	18.8	1.54	23.3	18.4	1.71	22.2	18.2	1.88	20.9	18.1	2.08	19.5	18.0	2.31
950	80	62	26.2	23.7	1.40	25.3	23.6	1.55	24.4	22.8	1.71	23.4	22.2	1.89	22.2	21.5	2.09	20.9	20.8	2.31
	80	67	27.9	19.3	1.41	26.9	19.6	1.56	25.8	19.2	1.72	24.5	19.1	1.90	23.1	19.0	2.09	21.5	19.0	2.32
	80	72	30.0	14.5	1.42	29.0	14.9	1.57	27.7	14.5	1.73	26.4	14.5	1.91	24.8	14.5	2.11	23.2	14.6	2.33
	75	62	25.7	19.8	1.39	24.8	20.0	1.55	23.7	19.6	1.71	22.5	19.5	1.88	21.3	19.2	2.08	19.8	19.2	2.31



# EXPANDED RATINGS (CONTINUED)

## R6GF-X48KB - HIGH SPEED

O.D.T			65°F			75°F			85°F			95°F			105°F			115°F		
CFM	E.D.B.	E.W.B.	T.C.	S.C.	K.W.	T.C.	S.C.	K.W.	T.C.	S.C.	K.W.	T.C.	S.C.	K.W.	T.C.	S.C.	K.W.	T.C.	S.C.	K.W.
1350	80	62	48.9	39.6	3.06	47.1	39.4	3.32	45.1	39.7	3.62	42.9	39.0	3.93	40.5	39.8	4.29	38.2	37.5	4.70
	80	67	53.4	32.2	3.09	51.5	32.1	3.36	49.3	32.5	3.65	46.9	31.9	3.97	44.1	31.4	4.32	41.1	29.5	4.73
	80	72	58.3	24.6	3.15	56.3	24.6	3.41	53.9	25.1	3.70	51.3	24.6	4.02	48.3	24.2	4.37	45.0	24.7	4.77
	75	62	48.7	33.1	3.06	47.0	32.9	3.32	44.9	32.9	3.61	42.7	32.4	3.93	40.1	29.5	4.29	37.3	31.9	4.70
1500	80	62	50.1	42.5	3.07	48.3	43.3	3.33	46.3	42.5	3.62	44.1	41.7	3.94	42.0	40.5	4.30	39.5	39.2	4.72
	80	67	54.5	34.3	3.11	52.5	35.4	3.37	50.3	34.6	3.66	47.7	34.3	3.98	44.9	34.3	4.33	41.8	34.2	4.74
	80	72	59.4	25.9	3.16	57.3	27.2	3.42	54.9	26.4	3.71	52.1	26.2	4.03	49.1	26.3	4.38	45.7	26.4	4.78
	75	62	49.8	34.8	3.07	48.0	36.1	3.33	45.9	35.0	3.63	43.5	34.6	3.94	40.9	34.6	4.30	38.0	34.3	4.70
1650	80	62	51.3	45.7	3.08	49.5	45.9	3.34	47.6	44.4	3.64	45.5	43.2	3.96	43.3	41.8	4.32	40.7	40.5	4.73
	80	67	55.4	36.9	3.12	53.4	37.4	3.38	51.1	36.6	3.67	48.5	36.6	3.99	45.6	36.3	4.34	42.4	36.4	4.74
	80	72	60.3	27.7	3.17	58.2	28.4	3.43	55.7	27.6	3.72	52.9	27.7	4.03	49.8	27.6	4.39	46.3	27.8	4.79
	75	62	50.7	37.5	3.08	48.8	38.2	3.34	46.7	37.0	3.63	44.3	37.1	3.95	41.6	36.5	4.30	38.7	36.6	4.71

## R6GF-X48KB - LOW SPEED

O.D.T			65°F			75°F			85°F			95°F			105°F			115°F		
CFM	E.D.B.	E.W.B.	T.C.	S.C.	K.W.	T.C.	S.C.	K.W.	T.C.	S.C.	K.W.	T.C.	S.C.	K.W.	T.C.	S.C.	K.W.	T.C.	S.C.	K.W.
850	80	62	33.5	26.1	2.02	32.3	26.0	2.20	30.9	26.1	2.40	29.4	25.7	2.62	27.8	27.2	2.85	26.0	25.4	3.11
	80	67	36.8	21.3	2.04	35.5	21.2	2.23	34.0	21.5	2.42	32.3	21.1	2.63	30.5	20.8	2.87	28.5	19.1	3.13
	80	72	40.3	16.5	2.07	38.8	16.5	2.25	37.2	16.8	2.45	35.4	16.5	2.66	33.5	16.2	2.89	31.3	16.6	3.15
	75	62	33.4	21.8	2.02	32.2	21.7	2.21	30.9	21.9	2.40	29.4	21.4	2.62	27.7	19.7	2.85	25.8	21.2	3.11
1000	80	62	34.8	29.0	2.03	33.5	29.6	2.21	32.1	29.0	2.41	30.6	28.7	2.62	29.0	28.1	2.86	27.4	27.2	3.12
	80	67	38.1	23.4	2.05	36.6	24.1	2.23	35.1	23.6	2.43	33.3	23.4	2.64	31.4	23.4	2.88	29.3	23.3	3.14
	80	72	41.5	17.8	2.08	40.1	18.7	2.26	38.4	18.2	2.46	36.5	18.0	2.67	34.4	18.1	2.90	32.1	18.2	3.16
	75	62	34.6	23.9	2.03	33.3	24.6	2.21	31.9	24.0	2.41	30.3	23.8	2.62	28.6	23.7	2.86	26.6	23.6	3.12
1150	80	62	35.9	32.1	2.04	34.7	32.3	2.22	33.4	31.1	2.42	32.0	30.3	2.63	30.4	29.4	2.87	28.7	28.5	3.13
	80	67	39.0	25.8	2.06	37.6	26.2	2.24	35.9	25.6	2.44	34.1	25.6	2.65	32.1	25.4	2.88	29.9	25.5	3.14
	80	72	42.4	19.5	2.09	40.9	20.0	2.27	39.2	19.4	2.46	37.3	19.5	2.68	35.1	19.4	2.91	32.7	19.6	3.17
	75	62	35.6	26.4	2.04	34.3	26.7	2.22	32.8	26.1	2.42	31.1	26.0	2.63	29.2	25.8	2.86	27.2	25.8	3.12

# EXPANDED RATINGS (CONTINUED)

## R6GF-X60KB - HIGH SPEED

O.D.T			65°F			75°F			85°F			95°F			105°F			115°F		
CFM	E.D.B.	E.W.B.	T.C.	S.C.	K.W.	T.C.	S.C.	K.W.	T.C.	S.C.	K.W.	T.C.	S.C.	K.W.	T.C.	S.C.	K.W.	T.C.	S.C.	K.W.
1450	80	62	58.7	49.3	3.53	56.4	48.2	3.81	53.8	46.9	4.12	51.3	45.5	4.50	48.7	44.5	4.93	46.0	43.1	5.41
	80	67	63.8	41.9	3.62	61.3	40.8	3.88	58.5	39.6	4.20	55.6	38.4	4.57	52.5	37.2	5.00	49.3	35.8	5.47
	80	72	69.7	34.4	3.71	66.8	33.3	3.98	63.8	32.2	4.30	60.9	31.1	4.65	57.4	29.8	5.08	54.1	28.5	5.55
	75	62	57.4	36.6	3.48	55.4	36.3	3.80	53.0	36.5	4.16	50.3	35.7	4.60	47.2	32.4	5.10	43.9	34.8	5.66
1600	80	62	60.0	52.1	3.55	57.7	50.9	3.84	55.1	49.7	4.13	52.4	48.4	4.52	49.6	47.1	4.94	46.7	45.6	5.42
	80	67	65.1	44.0	3.63	62.3	42.8	3.90	59.5	41.7	4.22	56.7	40.5	4.57	53.7	39.4	4.98	50.8	38.2	5.43
	80	72	71.1	35.8	3.74	68.0	34.6	4.00	64.9	33.5	4.31	61.7	32.3	4.67	58.3	31.1	5.10	54.8	29.8	5.57
	75	62	58.7	38.5	3.50	56.5	39.5	3.81	54.0	38.5	4.17	51.2	37.7	4.61	48.1	37.4	5.11	44.6	37.0	5.68
1750	80	62	61.2	54.8	3.57	58.7	53.6	3.85	56.1	52.3	4.16	53.5	51.0	4.53	50.8	49.4	4.96	48.0	46.2	5.44
	80	67	66.1	46.0	3.65	63.2	44.6	4.41	60.5	43.6	4.23	57.6	42.6	4.59	54.3	41.2	5.02	51.2	40.2	5.47
	80	72	71.9	36.9	3.86	69.0	35.9	4.06	65.9	34.8	4.34	62.6	33.6	4.68	59.2	32.4	5.09	55.6	31.1	5.57
	75	62	59.7	41.0	3.51	57.6	41.1	3.82	55.0	40.1	4.19	52.1	39.7	4.62	48.8	39.2	5.12	45.3	39.0	5.68

## R6GF-X60KB - LOW SPEED

O.D.T			65°F			75°F			85°F			95°F			105°F			115°F		
CFM	E.D.B.	E.W.B.	T.C.	S.C.	K.W.	T.C.	S.C.	K.W.	T.C.	S.C.	K.W.	T.C.	S.C.	K.W.	T.C.	S.C.	K.W.	T.C.	S.C.	K.W.
1050	80	62	40.7	31.3	2.37	39.3	31.2	2.58	37.7	31.4	2.83	35.9	30.8	3.11	33.8	32.5	3.45	31.6	30.3	3.84
	80	67	44.3	25.8	2.40	42.8	25.7	2.61	41.0	26.0	2.85	39.0	25.5	3.14	36.8	25.1	3.47	34.3	23.3	3.86
	80	72	48.3	19.8	2.44	46.7	19.8	2.65	44.8	20.2	2.89	42.6	19.8	3.17	40.2	19.5	3.51	37.4	19.9	3.89
	75	62	40.6	26.3	2.37	39.3	26.2	2.58	37.6	26.4	2.83	35.8	25.9	3.11	33.7	23.6	3.45	31.4	25.4	3.84
1200	80	62	41.9	33.9	2.38	40.5	34.6	2.59	38.8	33.9	2.84	36.9	33.5	3.12	34.8	33.2	3.45	32.7	32.4	3.85
	80	67	45.5	27.7	2.42	43.9	28.6	2.62	42.1	27.9	2.86	40.0	27.6	3.15	37.6	27.5	3.48	35.0	27.4	3.87
	80	72	49.5	21.0	2.46	47.8	22.1	2.66	45.8	21.5	2.90	43.5	21.3	3.18	41.0	21.4	3.51	38.1	21.4	3.90
	75	62	41.8	28.2	2.38	40.4	29.0	2.59	38.7	28.3	2.84	36.7	28.0	3.12	34.5	27.8	3.45	32.1	27.6	3.84
1350	80	62	42.9	36.7	2.39	41.5	37.0	2.60	39.8	36.2	2.84	37.9	35.8	3.14	35.9	34.7	3.46	33.8	33.6	3.86
	80	67	46.4	30.0	2.43	44.8	30.3	2.63	42.9	29.7	2.87	40.7	29.6	3.15	38.3	29.4	3.48	35.6	29.4	3.87
	80	72	50.4	22.7	2.47	48.7	23.3	2.67	46.6	22.7	2.91	44.2	22.7	3.19	41.6	22.6	3.52	38.6	22.8	3.91
	75	62	42.7	30.5	2.39	41.2	30.9	2.60	39.4	30.2	2.84	37.4	30.0	3.13	35.2	29.7	3.46	32.7	29.6	3.85



---

**For complete catalog information including submittals,  
energy calculations, dimension drawings, and more go to  
[www.ReznorHVAC.com](http://www.ReznorHVAC.com) or call 800-695-1901.**

*Note: In keeping with our policy of continuous  
product improvement, we reserve the right to alter,  
at any time, the design, construction, dimensions,  
weights, etc., of equipment information shown here.*