

INSTALLATION INSTRUCTIONS

INSTALLATION INSTRUCTIONS FOR
547830A / 547831A / 547850A / 547851A
ROOF CURBS USED WITH R4GM-072, P6SD/P8SE,
Q6SD/Q8SE, R6G(D,F,I), R8G(D,E), R8HE 024-060 UNITS

FORM# 593A-0514 (593A-0808)

This Roof Curb is NRCA approved and is constructed of 18 gauge galvanized steel with a full perimeter 1" x 4" wood nailer strip. The curb is designed to be used with the Cooling, Gas Electric, and Heat Pump Models. The curb is shipped with the following parts, See Figure 2:

- 1) 2 ea. Curb Long Sides - 49 1/2" Long (A)
- 2) 2 ea. Curb Short Sides - 41 1/2" Long (B)
- 3) 1 ea. Horizontal Duct Support - 46 1/2" Long (C)
- 4) 1 ea. Vertical Duct Support - 21" Long (D)
- 5) 1 ea. Vertical Hat Section - 19" Long (E)
- 6) 1 ea. Horizontal Hat Section - 25" Long (F)
- 7) 2 ea. Insulated Pan - 46 1/2" Long (G)
- 8) 1 ea. Insulated Pan - 21" Long (H)
- 9) 1 ea. Hardware Package Includes:
 - 4 ea. "Hinge" Pins 3/16"
 - 12 ea. Hex Washers screws #10 x 1/2"
- 10) 2 ea. Gasket 3/4" x 1 1/4" x 14' (28 ft. total)

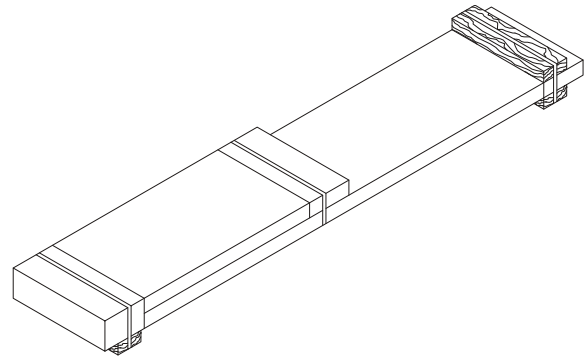


Figure 1

Important! Notice to Installer

If setting this curb for use with Nortek Global HVAC 95% AFUE R8HE/PPG3HE Series condensing style package gas/electric unit, routing and securement of the gas heat exchanger condensate drain line must be determined and installed prior to setting the unit on the curb.

It is recommended to drill a 1.00"-1.25" diameter hole through the roof below the rectangular opening located in outer close off panel (G), approximately 15" in from the short side of the curb and 1"-2" in from the long side of the curb. (See Figure 7) If drilling a hole is not an option, routing of the condensate drain hose over to the duct passage opening with enough slope is acceptable as long as drain line is secured to curb and duct, ensuring no kinks or traps can form between the collector box drain or interior of the building. Leave a minimum of 24" drain line extending out the top of front close off panel (G) for passage through unit bottom and connection to unit drain when unit is being set. See unit or Condensate/Vent Drain Kit (P/N-922485) instructions for completion of the drain connection. It is recommended no non-serviceable connections are introduced in the drain line between unit drain connection and an accessible area within the building interior. Securement of the drain line to the inside surface of the roof curb is acceptable and should be made in the wood nailer area (top 3.5") to avoid possible leaks or penetrations to roofing materials.

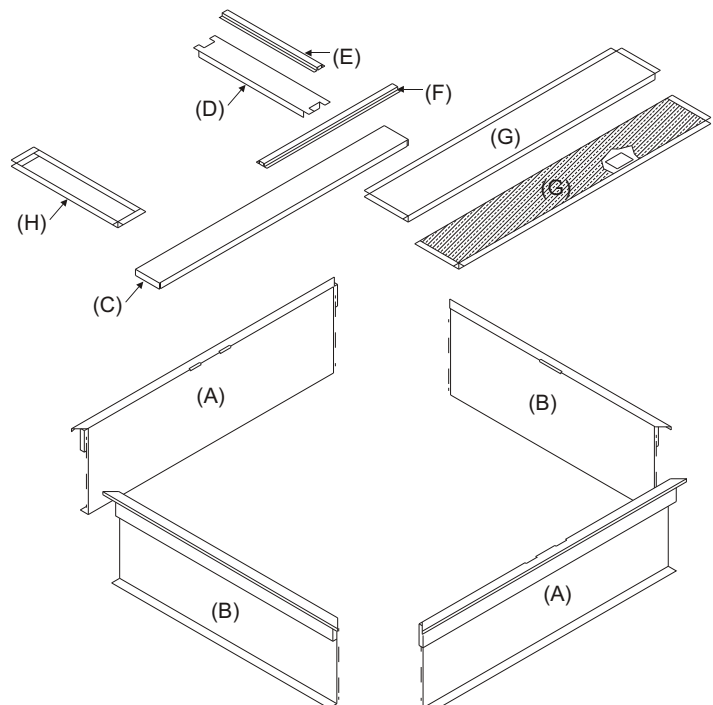


Figure 2

Step 1:

Curb Package is shown as shipped with easy to identify part numbers on all sides. Cut shipping bands and remove Hardware, Gasket Material, 4 Duct Supports, and 3 Insulated Pans.

Step 2:

Layout the curb pieces before assembly to insure that all the necessary pieces are included.

U.S. PATENT 5148647

INSTALLATION INSTRUCTIONS

INSTALLATION INSTRUCTIONS FOR
 547830A / 547831A / 547850A / 547851A
 ROOF CURBS USED WITH R4GM-072, P6SD/P8SE,
 Q6SD/Q8SE, R6G(D,F,I), R8G(D,E), R8HE 024-060 UNITS

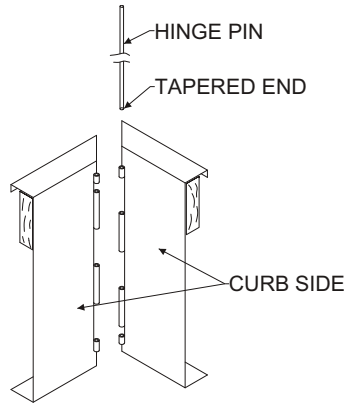


Figure 3

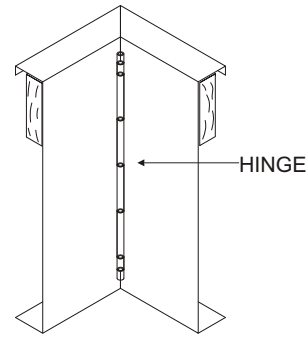


Figure 4

Step 3:

Corner Assembly: Align each curb side as shown in Figure 3. Using a hammer, drive the curb "hinge" pin down until the top of the pin is below the top of the curb as shown in Figure 4.

Figure 5

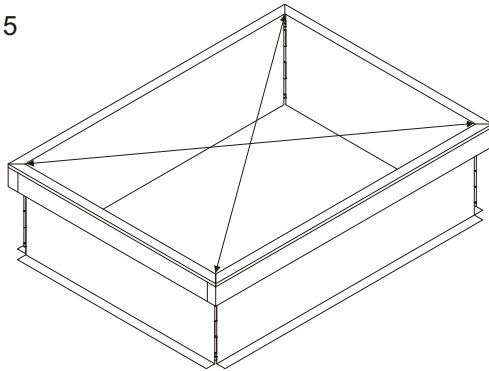
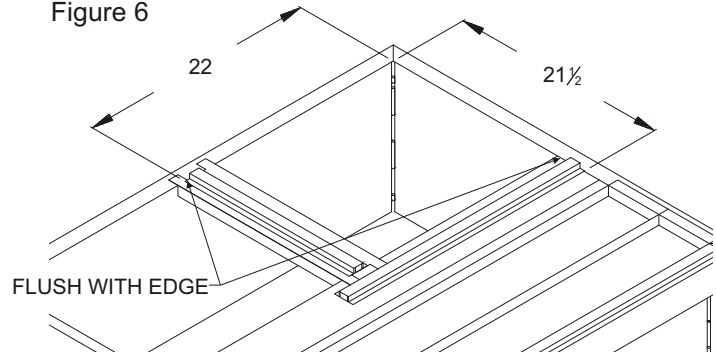


Figure 6



Step 4:

After the four corners are assembled; the curb should be checked to be sure it is "square". Do this by measuring diagonally from each opposite corner as shown in Figure 5. The two measurements should be the same for each direction.

DETAILS

1.

Brace inter-locks with curb.

Duct Support flange goes in slot on curb. Screw Brace to curb.

2.

Brace inter-locks with pan or other brace.

Duct Support flange goes in slot on pan or other brace. Screw brace together.

3.

Tab rests on top of curb for added support.

Duct Support is supported by "tabs". Screw pan to curb.

INSTALLATION INSTRUCTIONS

INSTALLATION INSTRUCTIONS FOR 547830A / 547831A / 547850A / 547851A ROOF CURBS USED WITH R4GM-072, P6SD/P8SE, Q6SD/Q8SE, R6G(D,F,I), R8G(D,E), R8HE 024-060 UNITS

Note:
Duct Supports can be located on either end depending on individual applications.

Step 5:
Install the duct horizontal support (C) as shown with opening over the desired duct location as shown in Figure 7.

Step 6:
Install the vertical duct support (D) as shown in Figure 7.

Step 7:
Install the vertical duct support (E) and horizontal duct support (F) on top of vertical duct support (D) and horizontal duct support (C) respectively as shown in Figure 6.

Step 8:
Install the insulated pans (G) and (H) as shown in Figure 7.

Note:
If installing this curb for use with Nortek Global HVAC R8HE Series

condensing style package gas/electric unit, cut and remove the insulation covering the 2" x 3" condensate drain passage in outer panel (G) only. Before installing inner panel (G) ensure there is enough slope and there are no kinks or high spots that could trap water in the line prior to entering the warmer interior of the building where a drain trap is **REQUIRED**.

Step 9:
If the curb is being assembled and moved to another location, attach the duct supports as shown in "Details".

Step 10:
Install 18 1/2" x 18 1/2" duct and secure to the curb with screws or rivets.

Step 11:
Place the 3/4" x 1 1/4" Gasket on all of the top edges of the Roof Curb, including the duct supports. **See Figure 7.**

NOTE:
Figure 7 is shown without parts (E) and (F)

Roof Opening: (Shaded Area)

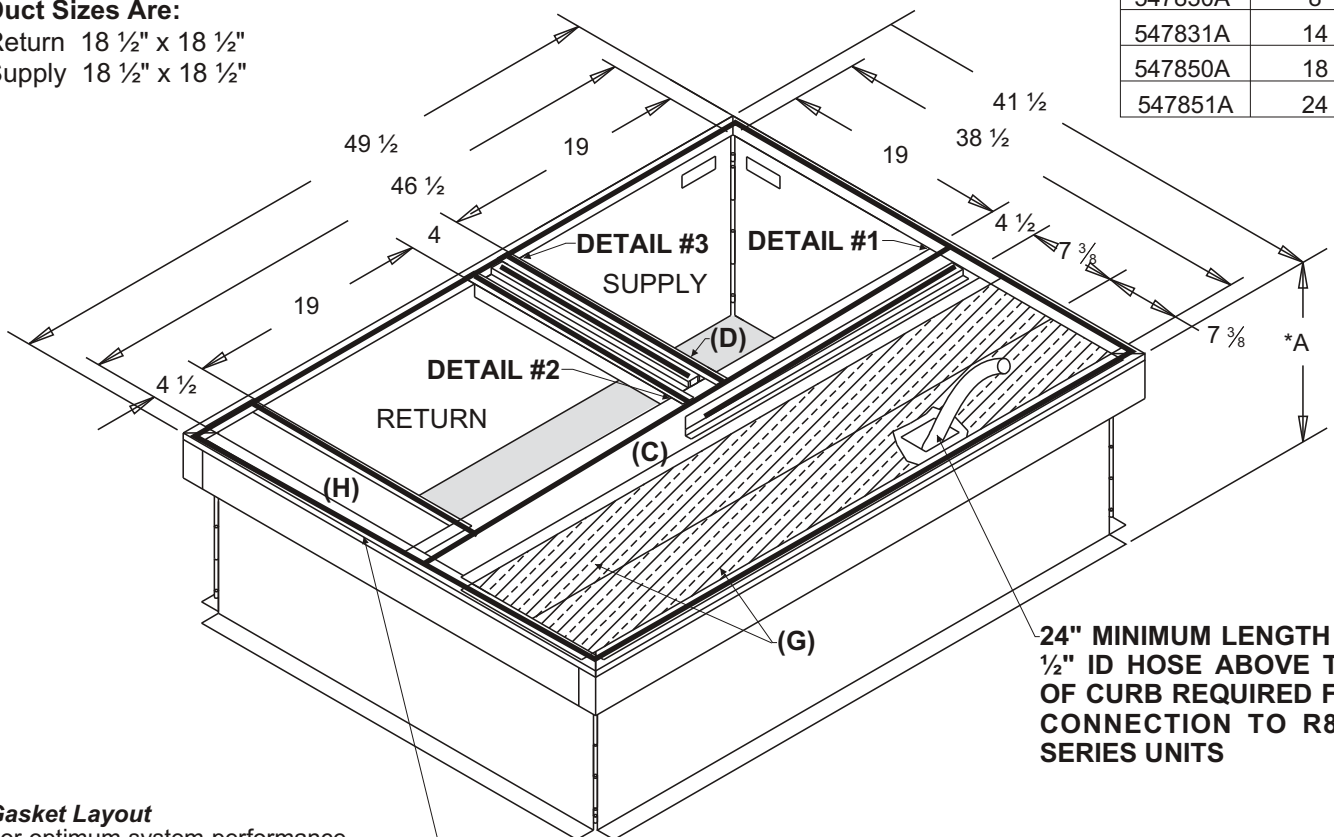
46 1/2" Long x 19" Wide

Duct Sizes Are:

Return 18 1/2" x 18 1/2"

Supply 18 1/2" x 18 1/2"

| DIMENSIONS | |
|------------|----|
| MODEL# | *A |
| 547830A | 8 |
| 547831A | 14 |
| 547850A | 18 |
| 547851A | 24 |



Gasket Layout

For optimum system performance all cracks and seams should be sealed with approved methods and materials

**GASKET PLACEMENT
(BOLD BLACK LINES)**

Figure 7

INSTALLATION INSTRUCTIONS

INSTALLATION INSTRUCTIONS FOR
547830A / 547831A / 547850A / 547851A
ROOF CURBS USED WITH R4GM-072, P6SD/P8SE,
Q6SD/Q8SE, R6G(D,F,I), R8G(D,E), R8HE 024-060 UNITS

ROOF INSTRUCTIONS

