

## WIND & RAIN HOOD CONVERSION INSTRUCTIONS

Applies to: Gas-Fired, Tubular, Radiant,  
Low-Intensity Infrared Heater



Model VCS/VCT (Harsh Environment )

### FOR YOUR SAFETY

If you smell gas:

1. Open windows.
2. Don't touch electrical switches.
3. Extinguish any open flame.
4. Immediately call your gas supplier.

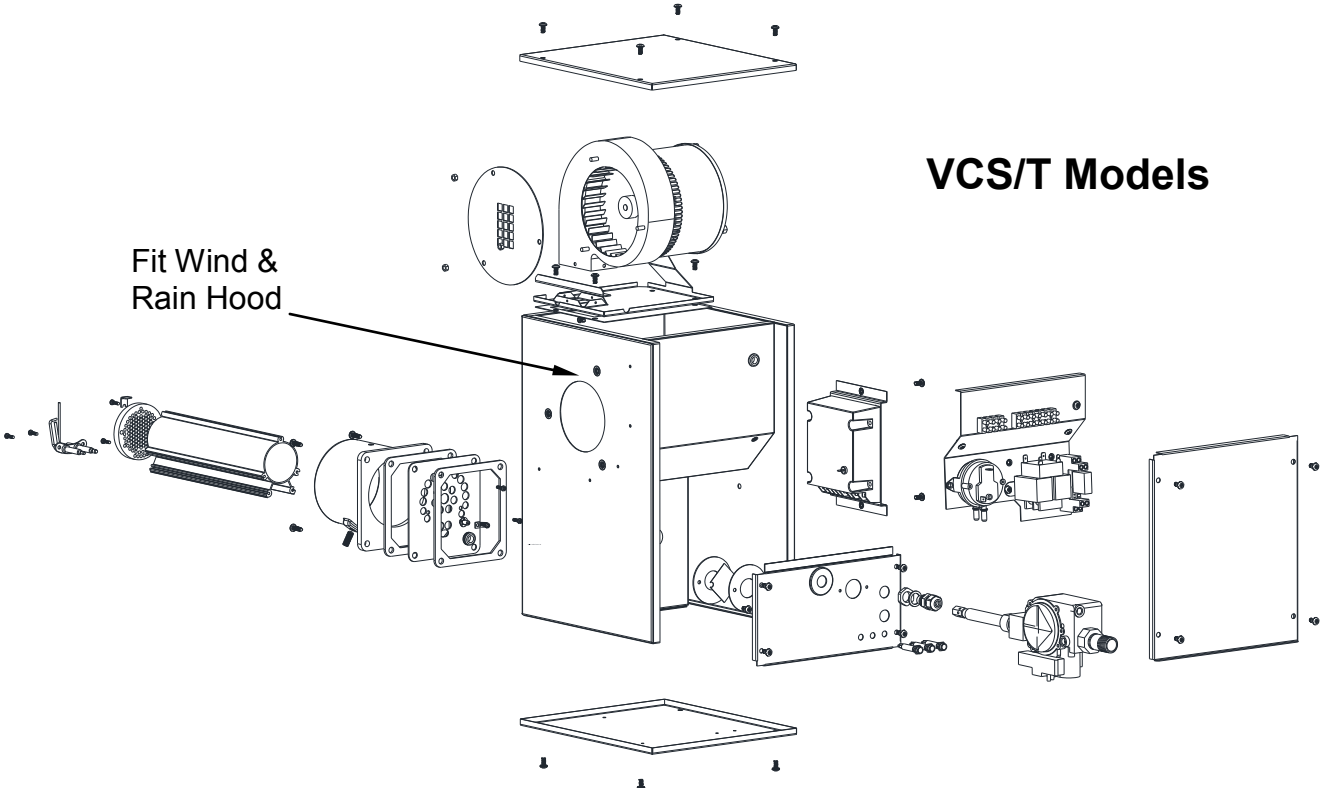
### FOR YOUR SAFETY

The use and storage of gasoline or other flammable vapors and liquids in open containers in the vicinity of this appliance is hazardous.

**WARNING:** Improper installation, adjustment, alteration, service, or maintenance can cause property damage, injury or death. Read the installation, operation, and maintenance instructions thoroughly before installing or servicing this equipment.

**WARNING:** Gas-fired appliances are not designed for use in hazardous atmospheres containing flammable vapors or combustible dust, in atmospheres containing chlorinated or halogenated hydrocarbons, or in applications with airborne silicone substances.

# VCS/T Models



CONVERSION KIT PART NUMBER 270615		
Part No.	Description	Quantity
270435	5mm diameter x 16mm long Stainless Steel screw for 1.2mm material	3
270616	VC outdoor air spigot	1
270617	4" outdoor wind and rain hood assembly Stainless Steel	1
270414	No. 8 x 1/2" Stainless Steel cross pan head self tapper	2
270689	Wind and rain hood conversion manual (outdoor only) VC	1

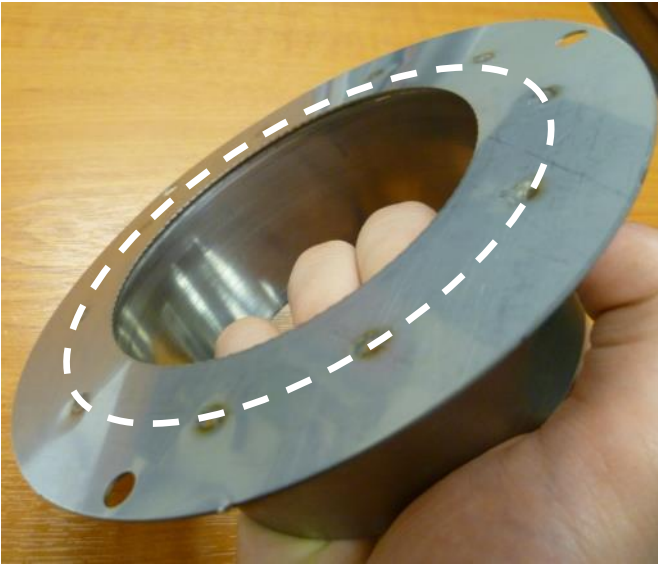


It is essential that when fitting the wind and rain hood kit that waterproof sealant is used where indicated.

Step 1: Remove the screws securing the original fresh air inlet plate with a no. 2 cross headed screwdriver, (keep screws for re-use). Carefully prise off the plate, (stuck on with sealant), making sure not to damage the burner casing.



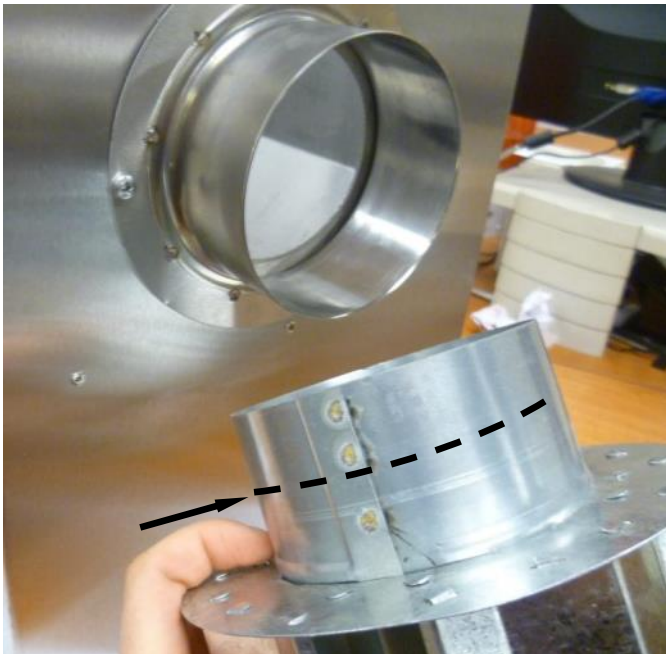
Step 2: Apply waterproof sealant to the inner face of the spigot along the line of the circle indicated.



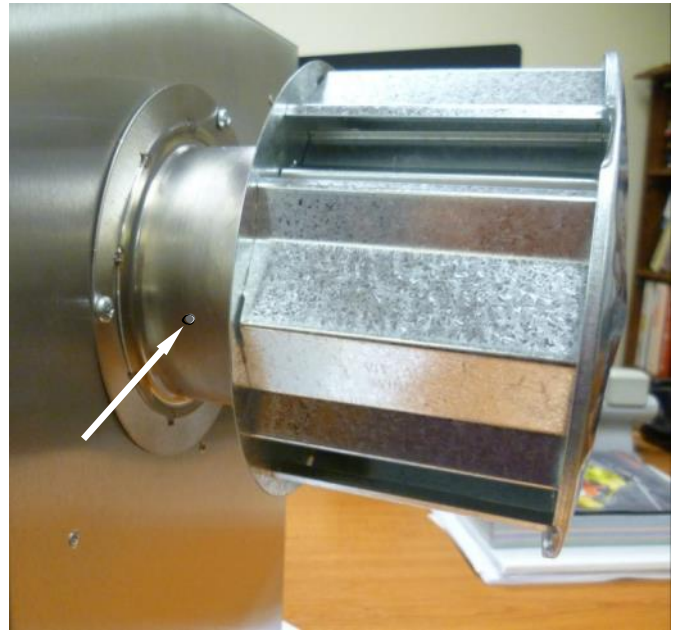
Step 3: Attach the wind and rain hood spigot to the burner using the same three screws that were removed in Step 1.



Step 4: Apply waterproof sealant to the mating surface along the line as shown in the picture below. Insert the wind and rain hood cover into the spigot.



Step 5: Push the wind and rain hood cover fully home, then using a 3mm bit, drill 2 pilot holes either side of the spigot in the horizontal plane.



Step 6: Secure with the self-tapping screws supplied. The conversion is now complete.



# **NORDYNE**

COMPLETE COMFORT. GENUINE VALUE.

Specifications & illustrations subject to change without notice or incurring obligations.

©2014 All rights reserved.

All marks are the property of their respective organizations.

O'Fallon, MO | Printed in U.S.A. (09/14)

249E-0914 Form I-VC-WH