

REPLACEMENT PARTS LIST

iHybrid[™] Dual Fuel Gas Heat Pump DF6SF -"A" Series 15 SEER Models



IMPORTANT

- This document is primarily intended to assist qualified individuals experienced in the proper repair or servicing of this appliance. Only factory authorized parts or accessory kits may be used with this product. Improper installation, service, adjustment, or maintenance may cause explosion, fire, electrical shock or other hazardous conditions which may result in personal injury or property damage.
- Some local codes require licensed installation / service personnel to service this type of equipment. Under no circumstances should the equipment owner attempt to install parts or service this equipment. Failure to comply with this warning could result in property damage, personal injury, or death.

DF6SF ("A" Series) DUAL FUEL GAS HEAT PUMP

ITEM	DESCRIPTION	2 TON	3 TON	4 TON	5 TON
		X24K-080CA	X36K-100CA	X48K-120CA	X60K-120CA
		920986A	920988A	920990A	920992A
1	ASSY, CAP, DUCT, HORIZONTAL (NOT SHOWN)	283101R	283101R	283101R	283101R
2	TOP PAN ASSY – LEFT	293781R	293781R	293781R	293781R
3	CORE, CHARGING PORT, STD FITTING (NOT SHOWN)	662103	662103	662103	662103
	CORE, CHARGING PORT, HI-FLOW (NOT SHOWN)	664331	664331	664331	664331
4	PANEL, HEAT EX. DIVIDER, 34"	D05072R	–	–	–
	PANEL, HEAT EX. DIVIDER, 38"	–	D05075R	–	–
	PANEL, HEAT EX. DIVIDER, 42"	–	–	D05074R	D05074R
5	BOTTOM PAN ASSY	D05480R	D05480R	D05480R	D05481R
6	RAIL, BASE, 47.23" LG	277551	277551	277551	277551
7	RAIL, BASE, 55.63" LG	277552	277552	277552	277552
8	DIVIDER PANEL ASSY, 34"	D05504R	–	–	–
	DIVIDER PANEL ASSY, 38"	–	M0060722R	–	–
	BLOWER PANEL ASSY, 42"	–	–	M0060704R	M0060704R
9	DUCT CAP ASSY	D05530R	D05530R	D05530R	D05530R
10	BLOWER PANEL ASSY, 34"	D05542R	–	–	–
	BLOWER PANEL ASSY, 38"	–	D05543R	–	–
	BLOWER PANEL ASSY, 42"	–	–	M0060714R	M0060714R
11	ASSY, SRV PNL, INSULATED, 34" LOUVERED	296638R	–	–	–
	ASSY, SRV PNL, INSULATED, 38" LOUVERED	–	296639R	–	–
	ASSY, SRV PNL, INSULATED, 42" LOUVERED	–	–	M0060703R	M0060703R
12	SUPPLY PANEL ASSY, 34"	D05552R	–	–	–
	SUPPLY PANEL ASSY, 38"	–	D05557R	–	–
	SUPPLY PANEL ASSY, 42"	–	–	M0060706R	M0060706R
13	RETURN PANEL ASSY, 34"	D05565R	–	–	–
	RETURN PANEL ASSY, 38"	–	D05566R	–	–
	RETURN PANEL ASSY, 42"	–	–	M0060707R	M0060707R
14	CORNER PANEL ASSY, 34"	D05628R	–	–	–
	CORNER PANEL ASSY, 38"	–	D05629R	–	–
	CORNER PANEL ASSY, 42"	–	–	M0060708R	M0060708R
15	ASSY, CLOSE-OFF PANEL, 34"	D05688R	–	–	–
	ASSY, CLOSE-OFF PANEL, 38"	–	D05683R	–	–
	ASSY, CLOSE-OFF PANEL, 42"	–	–	M0060710R	M0060710R
16	PAN, DRAIN	669190	669190	669190	669190
17	POST, CORNER, 34"	D09996R	–	–	–
	POST, CORNER, 38"	–	D09997R	–	–
	POST, CORNER, 42"	–	–	2B1941R	2B1941R
18	PANEL, FRONT, 34" (MODELS PRODUCED BEFORE 2/1/11)	D12462R	–	–	–
	PANEL, FRONT, 34" (MODELS PRODUCED AFTER 2/1/11)	298892R	–	–	–
	PANEL, FRONT, 38"	–	298893R	–	–
	PANEL, FRONT, 42"	–	–	298894R	298894R
19	WRAPPER, BLWR, HSG, 9/10X10	297214R	297214R	–	–
	WRAPPER, BLWR, HSG, 11X10	–	–	297219R	297219R
20	WHEEL, BLOWER 10 X 10	667207R	667207R	667260R	667260R

Please specify the correct Model No., Serial No, and part number(s) when ordering parts from the nearest authorized dealer or service center.

DF6SF ("A" Series) DUAL FUEL GAS HEAT PUMP

ITEM	DESCRIPTION	2 TON	3 TON	4 TON	5 TON
		X24K-080CA	X36K-100CA	X48K-120CA	X60K-120CA
		920986A	920988A	920990A	920992A
21	MTR, VS, PROG, DF, 1/2HP, 15 SEER, 5.0 (SEE NOTE)	<i>M0091101R</i>	-	-	-
	MTR, VS, PROG, DF, 1/2HP, 15 SEER, 2 STAGE	M0074348R	-	-	-
	MTR, VS, PROG, DF, 3/4HP, 15 SEER, 5.0 (SEE NOTE)	-	<i>M0091102R</i>	-	-
	MTR, VS, PROG, DF, 3/4HP, 15 SEER, 2 STAGE	-	M0074349R	-	-
	MTR, VS, PROG, DF, 1HP, 15 SEER, 5.0 (SEE NOTE)	-	-	<i>M0091103R</i>	<i>M0091103R</i>
	MTR, VS, PROG, DF, 1HP, 15 SEER, 2 STAGE	-	-	M0074398R	M0074398R
22	CONTACTOR	624712	624712	624713	624713
23	TRANSFORMER 40 VA	622336	622336	622336	622336
24	CAPAC, RUN 35/5/370	01-0083	-	-	-
	CAPAC, RUN 40/7.5/370	-	01-0269	-	-
	CAPAC, RUN 30/5/370 (SEE NOTE)	-	-	<i>01-0082</i>	-
	CAPAC, RUN 45/7.5/370	-	-	01-0271	-
	CAPAC, RUN 40/7.5/440 (SEE NOTE)	-	-	-	<i>01-0292</i>
	CAPAC, RUN 80/7.5/370	-	-	-	01-0279
25	IGNITION / BLOWER CONTROL, 2 STG, 2 SPD	921378	921378	921378	921378
26	SWITCH, LOW PRESSURE (NOT SHOWN)	632393	632393	632393	632393
27	BOARD, DEMAND DEFROST W/ DELAY	920806	920806	920806	920806
28	DEMAND DEFROST SENSOR (NOT SHOWN)	624740	624740	624740	624740
29	PLUG, MOLDED, LV, 2-STAGE, .25 TERMS (NOT SHOWN)	634682	634682	634682	634682
	PLUG, MOLDED, HV, (NOT SHOWN)	634715R	634715R	634715R	634715R
30	AMBIENT SENSOR (NOT SHOWN)	626551	626551	626551	626551
31	EXHAUST DUCT ASSY	263420R	263420R	263420R	263420R
32	TOUCH UP PAINT, GREY	903598	903598	903598	903598
33	INDUCER MOTOR, 2 SPD, 230V	921379	921379	921379	921379
34	SWITCH, PRESSURE, DUAL, NO., .50"/.70"W.C.	632555	632555	632555	632555
35	GASKET, COLLECTOR PAN	689506	689506	689506	689506
36	GASKET, INDUCER MOTOR MOUNTING	689518	689518	689518	689518
37	HEAT EXCH. PANEL ASSY, 4 TUBE	<i>M0002536R</i>	-	-	-
	HEAT EXCH. PANEL ASSY, 5 TUBE	-	<i>M0042504R</i>	<i>M0042501R</i>	<i>M0042501R</i>
38	LIMIT SWITCH, MAIN AIR	626423	626446	626432	626432
39	PAN, COLLECTOR ASSY, 1.25" ORIFICE	D05766R	-	-	-
	PAN, COLLECTOR ASSY, 1.44" ORIFICE	-	M0074320R	-	-
	PAN, COLLECTOR ASSY, 1.69" ORIFICE	-	-	M0074321R	M0074321R
40	BURNER ASSY, 2 STG VALVE, 4 TUBE	<i>M0034105R</i>	-	-	-
	BURNER ASSY, 2 STG VALVE, 5 TUBE	-	293323R	293322R	293322R
41	BRACKET, EXT. SERV PT (MODELS PRODUCED BEFORE 2/1/11)	269022R	298551R	-	-
	BRACKET, EXT. SERV PT (MODELS PRODUCED AFTER 2/1/11)	298552R	298552R	298552R	298552R
42	LIMIT SWITCH, 320° F FLAME ROLLOUT	626547	626547	626547	626547
43	SENSOR, FLAME	632396	632396	632396	632396
44	BURNER, INSHOT	660812	660812	660812	660812
45	REPL. HAIL GUARD KIT (NOT SHOWN)	921213	921213	921213	921213
46	ORIFICE, MAIN BURNER, #43 DRILL (NOT SHOWN)	-	-	661043	661043
	ORIFICE, MAIN BURNER, #45 DRILL (NOT SHOWN)	661045	661045	-	-

Please specify the correct Model No., Serial No, and part number(s) when ordering parts from the nearest authorized dealer or service center.
NOTE: Part numbers listed in *italics* apply to units manufactured ON OR AFTER 04/08/2013.

DF6SF ("A" Series) DUAL FUEL GAS HEAT PUMP

ITEM	DESCRIPTION	2 TON	3 TON	4 TON	5 TON
		X24K-080CA	X36K-100CA	X48K-120CA	X60K-120CA
		920986A	920988A	920990A	920992A
47	MANIFOLD, GAS, 4 BURNER	664304	-	-	-
	MANIFOLD, GAS, 5 BURNER	-	664305	664305	664305
48	DRIER, FILTER, BIFLOW	669762	669762	669762	669762
49	COVER, EXHAUST VENT	265240R	265240R	265240R	265240R
50	PANEL, WEATHER	263880	263880	263880	263880
51	SUPPORT, COIL, 34"	263394	-	-	-
	SUPPORT, COIL, 38"	-	263395	-	-
	SUPPORT, COIL, 42"	-	-	263396	263396
53	STRAP, FILTER/DRIER	258781	258781	258780	258780
54	COIL, INDOOR	283091R	D06255R	2B3721R	2B4001R
55	TXV, INDOOR	664343	664346	664350	664275
	TXV, INDOOR (SEE NOTE)	-	-	664348	-
56	COMP, COPE,ZPS20K5E-PFV-230 (SEE NOTE)	<i>921844</i>	-	-	-
	COMP, COPE,ZPS20K4E-PFV-230	920334	-	-	-
	COMP, COPE,ZPS30K5E-PFV-230 (SEE NOTE)	-	<i>921769</i>	-	-
	COMP, COPE,ZPS30K4E-PFV-230	-	920335	-	-
	COMP, COPE,ZPS40K5E-PFV-230 (SEE NOTE)	-	-	<i>921659</i>	-
	COMP, COPE,ZPS40K4E-PFV-230	-	-	920336	-
	COMP, COPE,ZPS49K5E-PFV-230 (SEE NOTE)	-	-	-	<i>921793</i>
COMP, COPE,ZPS49K4E-PFV-230	-	-	-	920337	
57	SWITCH, HIGH PRESSURE, AUTO RESET (NOT SHOWN)	632401	632401	632401	632401
58	SERVICE PORT - MODELS PRODUCED BEFORE 2/1/11	664393	664393	664393	664393
	SERVICE PORT - MODELS PRODUCED AFTER 2/1/11	664696	664696	664696	664696
59	CORE, PORT, HI, FLOW, BRASS (NOT SHOWN)	664331	664331	664331	664331
60	GAS VALVE, 2-STAGE, NAT. GAS ONLY*	921816	921816	921816	921816
	GAS VALVE, 2-STAGE, w/ LP REGULATOR SPRINGS*	921691	921691	921691	921691
61	GROMMET, COMPRESSOR, SCROLL (NOT SHOWN)	668530	668530	668530	668530
62	COMPRESSOR SOUND BLANKET (NOT SHOWN)	689792	689792	689792	689793
63	COIL, OUTDOOR	D06262R	2B3941R	2B3711R	2B5011R
64	INSULATED TOP RIGHT PAN ASSY	M0034707R	M0034707R	M0034707R	M0007286R
65	MOTOR, OUTDOOR FAN, ECM (SEE NOTE)	-	<i>622654</i>	<i>622654</i>	-
	CONTROLLER, FAN MOTOR (SEE NOTE)	-	622469	622469	-
	MOTOR, OUTDOOR FAN	622171	622468	622468	621990
66	FAN, BLADE	667357	667351	667351	667351
67	FAN, GRILLE, 24"	669335	669335	669335	669335
68	BRACKET, AMBIENT (NOT SHOWN)	296585R	296585R	296585R	296585R

Please specify the correct Model No., Serial No, and part number(s) when ordering parts from the nearest authorized dealer or service center.

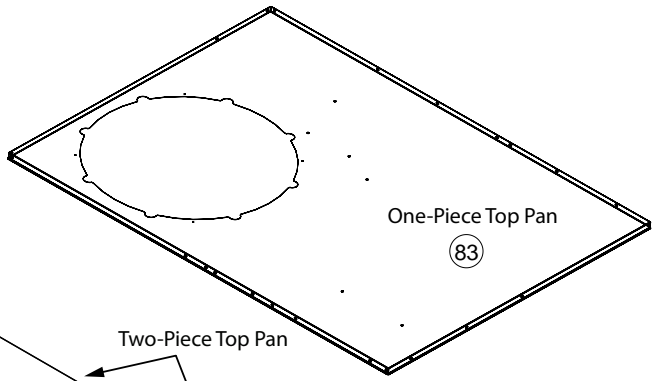
*Gas valve kit includes necessary wiring harness for field replacement of gas valve P/N 624652 where applicable.

NOTE: Part numbers listed in *italics* apply to units manufactured ON OR AFTER 04/08/2013.

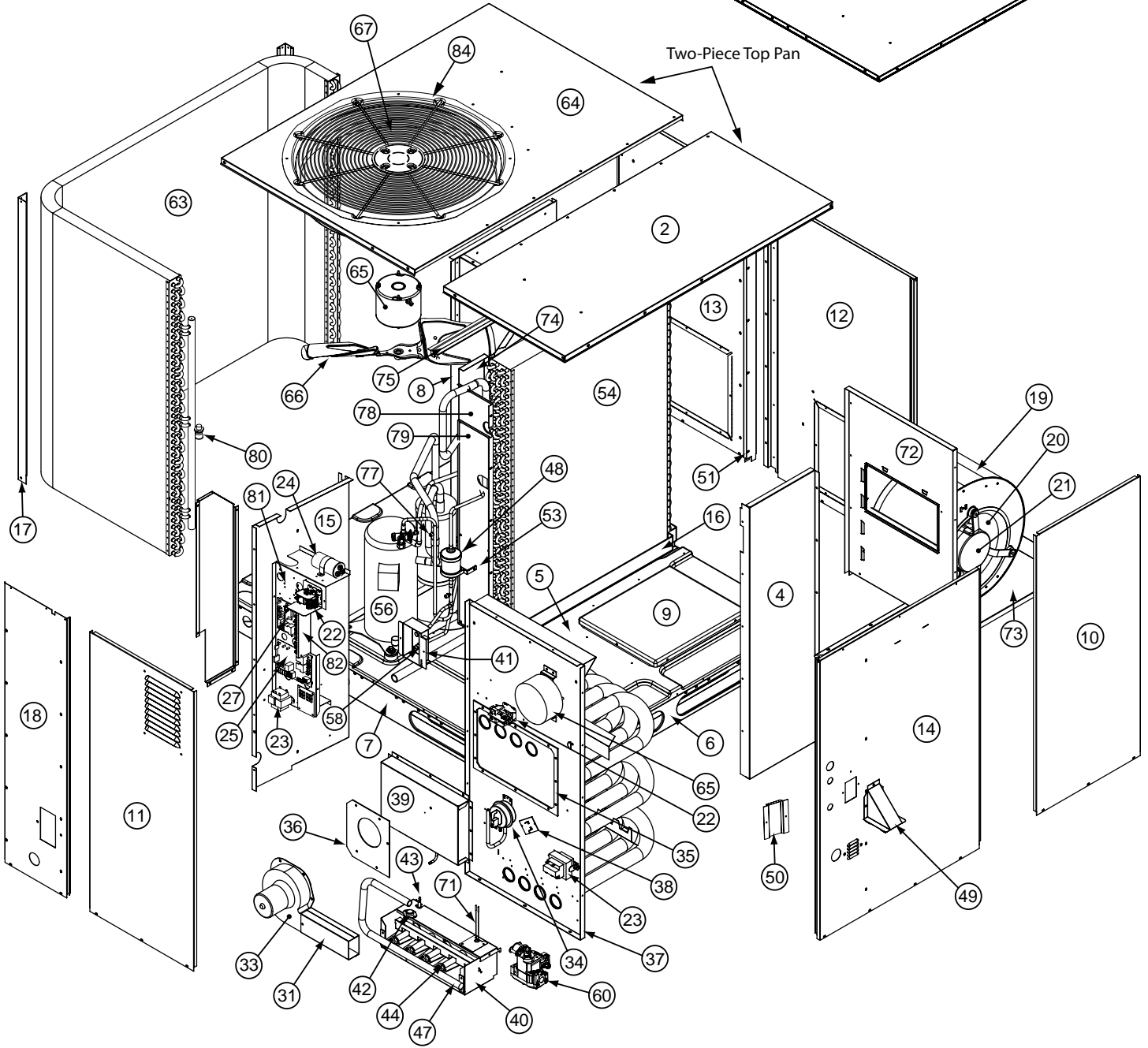
DF6SF ("A" Series) DUAL FUEL GAS HEAT PUMP

ITEM	DESCRIPTION	2 TON	3 TON	4 TON	5 TON
		X24K-080CA	X36K-100CA	X48K-120CA	X60K-120CA
		920986A	920988A	920990A	920992A
69	GUARD, COIL (FORMED)	2A8453R	2A8454R	2B4611R	2B4871R
70	COMPRESSOR BOLTS (NOT SHOWN)	600400	600400	600400	600400
71	IGNITOR	903179	903179	903179	903179
72	PANEL, BLOWER DISCHARGE, 34"	281493	-	-	-
	PANEL, BLOWER DISCHARGE, 38"	-	281494	-	-
	PANEL, BLOWER DISCHARGE, 42"	-	-	281495	281495
73	BLOWER SHELF	283932	283932	283932	283932
74	DIVIDER PANEL BRACKET	2B8241	2B8241	2B8241	2B8241
75	CHANNEL, DRAIN (Not available w/ 1 piece top pan)	279722R	279722R	279722R	279722R
77	ACCESS FITTING	663812	663812	663812	663812
78	COVER, HEADER, 34"	M0034205R	-	-	-
	COVER, HEADER, 38"	-	M0034214R	-	-
	COVER, HEADER, 42"	-	-	M0034209R	M0034209R
79	DOOR, ACCESS, 34"	296633R	-	-	-
	DOOR, ACCESS, 38"	-	296648R	-	-
	DOOR, ACCESS, 42"	-	-	M0034208R	M0034216R
80	TXV, OUTDOOR	664344	664344	664348	664348
81	CONTROL BRACKET	298591	298591	298591	298591
82	TERMINAL BOARD, LOW VOLTAGE	632475	632475	632475	632475
83	ONE-PIECE TOP PAN	M0034722	M0034722	M0034722	M0034723
84	DROP-IN ORIFICE	295481R	295481R	295481R	295481R
85	REVERSING VALVE (NOT SHOWN)	669465	-	-	-
86	REVERSING VALVE COIL (NOT SHOWN)	669472	-	-	-
87	REVERSING VALVE KIT (NOT SHOWN)	-	M0079101R	M0079101R	M0079101R

Please specify the correct Model No., Serial No, and part number(s) when ordering parts from the nearest authorized dealer or service center.



Two-Piece Top Pan



NORDYNE
COMPLETE COMFORT. GENUINE VALUE.

Specifications & illustrations subject to change without notice or incurring obligations.
O' Fallon, MO | Printed in U.S.A. (05/13)



709170E (Replaces 709170D)