

# WIRING DIAGRAM

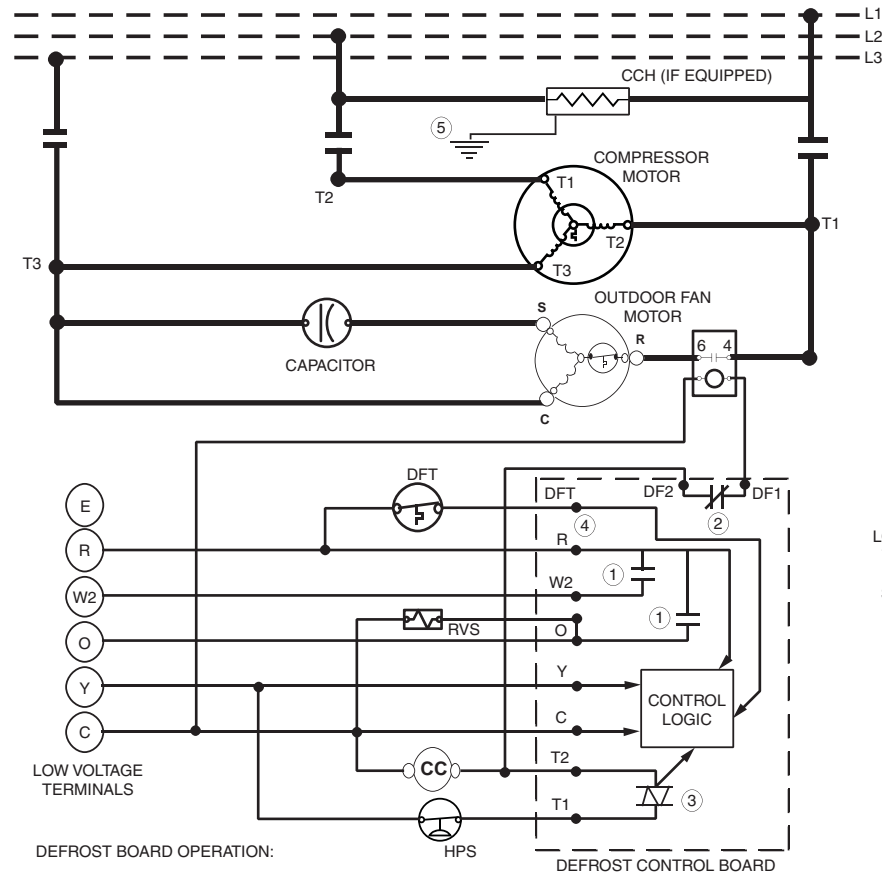
## Split System Heat Pump

Three Phase  
460 V

**NOTES:**

1. Disconnect all power before servicing.
2. For supply connections use copper conductors only.
3. For replacement wires use conductors suitable for 105deg. C
4. For supply wire ampacities and overcurrent protection, see unit data label.
5. Connect to 24 vac/40va/class 2 circuit. See furnace/air handler installation instructions for control circuit and optional Relay/Transformer Kits.

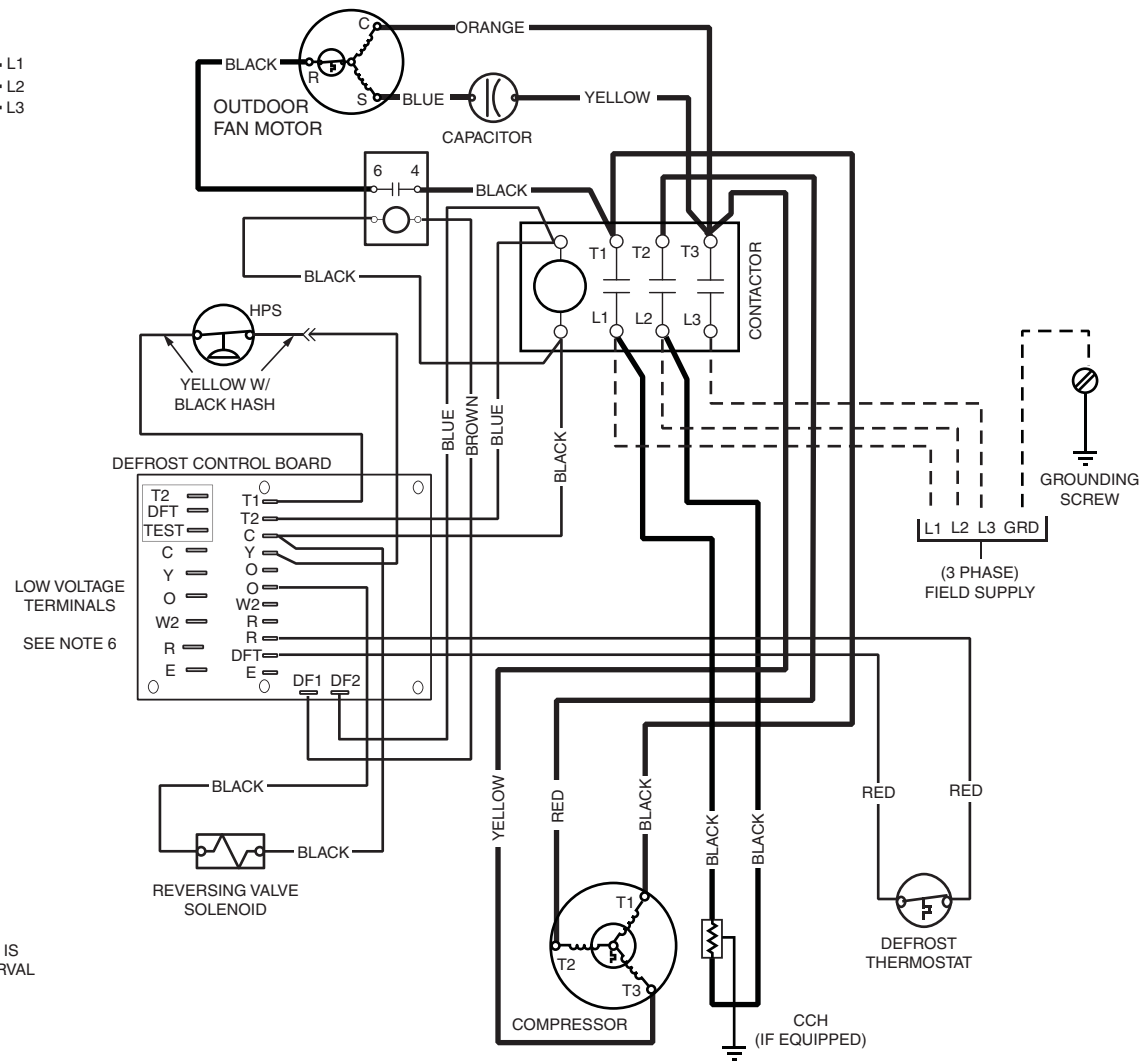
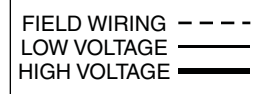
1. Couper le courant avant de faire letretien.
2. Employez uniquement des conducteurs en cuivre



**DEFROST BOARD OPERATION:**

- ① CLOSES DURING DEFROST. RATING: 1 AMP. MAX.
- ② OPENS DURING DEFROST. RATING: 2 HP. AT 230 VAC MAX.
- ③ CLOSED WHEN "Y" IS ON. OPEN WHEN "Y" IS OFF. PROVIDES "OFF" DELAY TIME OF 5 MIN. WHEN "Y" OPENS.
- ④ WITH DFT CLOSED AND "Y" CLOSED, COMPRESSOR RUN TIME IS ACCUMULATED. OPENING OF DFT DURING DEFROST OR INTERVAL PERIOD RESETS THE INTERVAL TO 0.
- ⑤ GROUND ON LOCATION PROVIDED INSIDE COMPRESSOR TERMINAL BOX.

**LEGEND:**



7107360

05/07