

WIRING DIAGRAM

Dual Fuel Heating and Cooling Packaged System

208/230 Volt

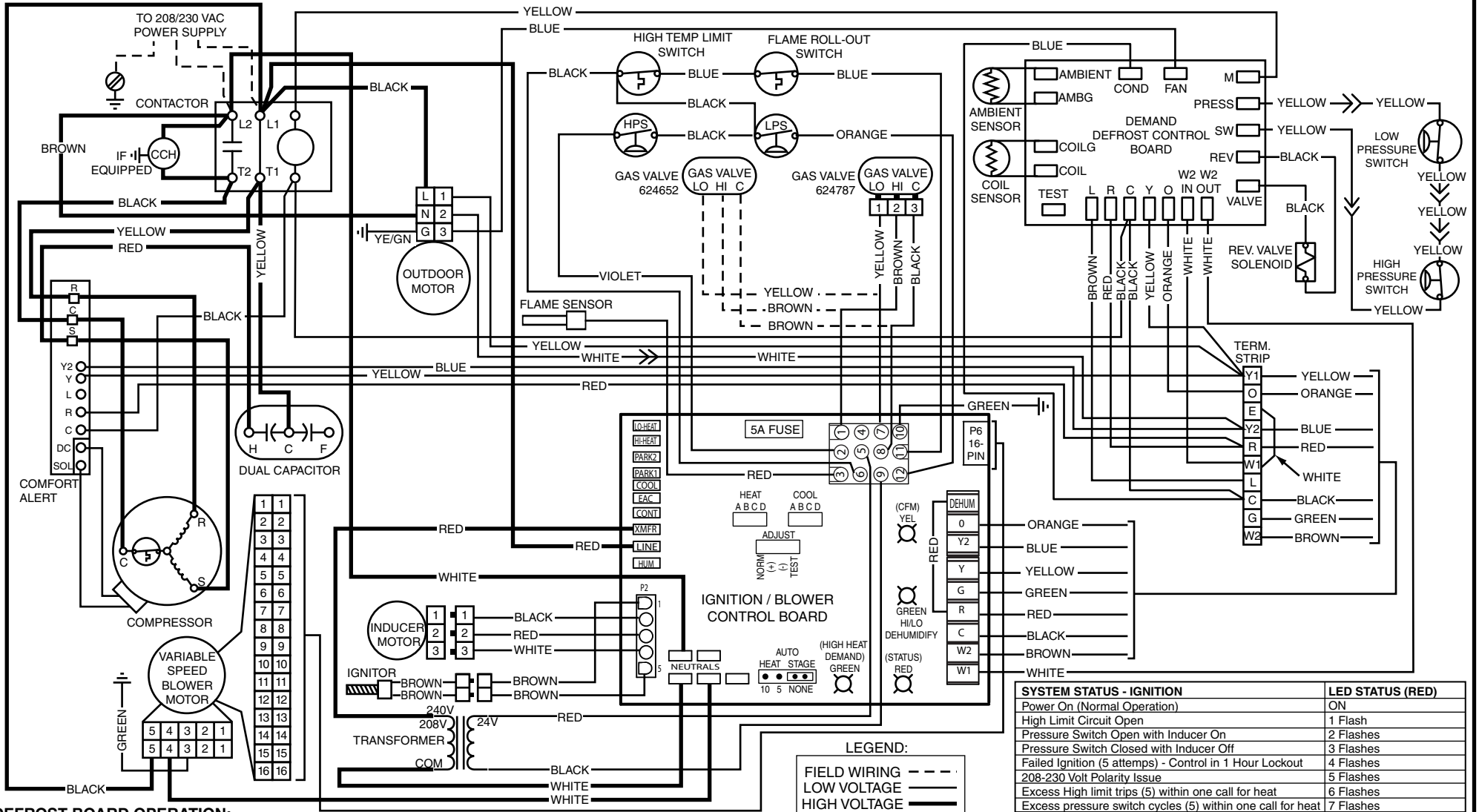
Single Phase / 60 Hz.

NOTES:

1. Disconnect power before servicing.
2. For supply connections use copper conductors only.
3. Not suitable on systems that exceed 150V to ground.
4. If any of the original wire as supplied with the furnace must be replaced, it must be replaced with wiring material having a temperature rating of at least 105°C.

5. For supply wire ampacities and overcurrent protection, see unit rating plate.
6. Ensure that wires from the blower remain connected to the board thermostat terminals after making the field thermostat connections.
7. A heat pump thermostat with fossil fuel back-up heat capability is REQUIRED for this system.

1. Couper le courant avant de faire letretien.
2. Employez uniquement des conducteurs en cuivre.
3. Ne convient pas aux installations de plus de 150 V a la terre.



DEFROST BOARD OPERATION:

- Heat Pump operates in heating mode until the combination of outdoor ambient and outdoor coil temperatures initiate a defrost cycle. The outdoor coil temperature must be at or below 32°F before the defrost cycle begins.
- There must be a minimum of 20 minutes between defrost cycles. After this time, temperature conditions must call for defrost continuously for 1 1/2 minutes before a defrost cycle is initiated.
- The defrost cycle ends when either the outdoor coil temperature sensor reaches the defrost terminate set point, or 13 minutes, 39 seconds of compressor run time has elapsed with the control in the defrost mode. (See installation instructions for available terminate temperatures and their specific jumper location)

SYSTEM STATUS - 2nd STAGE HEAT DEMAND	LED STATUS (GREEN)
No demand for 2nd stage heat	OFF
2nd stage heat demand (Normal operation)	ON
2nd stage heat demand, high pressure switch not closed	Flashing

SYSTEM STATUS - HI/LO DEHUMIDIFY (Cooling Mode only)	LED STATUS (GREEN)
Factory jumper wire "R" to "DEHUM" in place or "Close on Fall" humidistat (Low humidity) - Closed	ON
Humidistat open (High Humidity) Low Speed Blower call	OFF

SYSTEM STATUS - IGNITION	LED STATUS (RED)
Power On (Normal Operation)	ON
High Limit Circuit Open	1 Flash
Pressure Switch Open with Inducer On	2 Flashes
Pressure Switch Closed with Inducer Off	3 Flashes
Failed Ignition (5 attempts) - Control in 1 Hour Lockout	4 Flashes
208-230 Volt Polarity Issue	5 Flashes
Excess High limit trips (5) within one call for heat	6 Flashes
Excess pressure switch cycles (5) within one call for heat	7 Flashes
Excess flame dropouts (5) within one call for heat	8 Flashes
Not Used	9 Flashes
Flame present with gas valve Off	10 Flashes

SYSTEM STATUS - CFM	LED STATUS (YELLOW)
NOT USED	OFF



7113350
(Replaces 711870)