

Q6SE Series

14 SEER, 8.0 HSPF Three Phase Packaged Heat Pump 3, 4 & 5 Ton Units

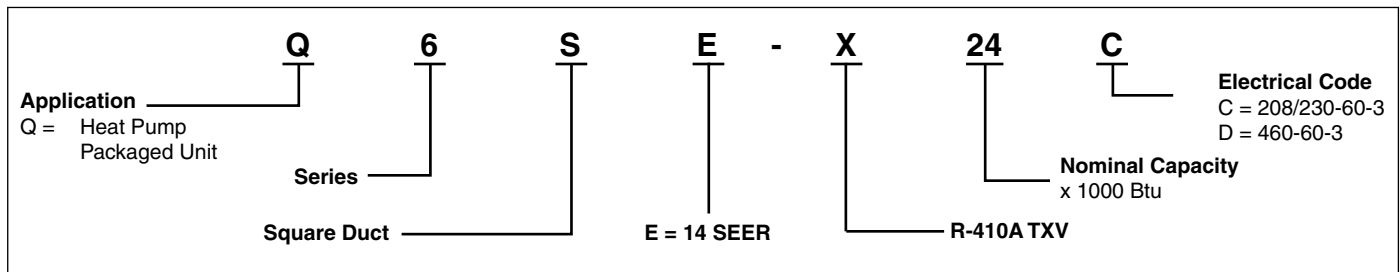
The Q6SE Series packaged units are high efficiency self contained cooling and heating units that can be installed on a roof or on a slab. The convertible unit design makes installations simple in all applications. Units are ETL and ETLc listed. The unit is truly designed with the contractor and the end user in mind.



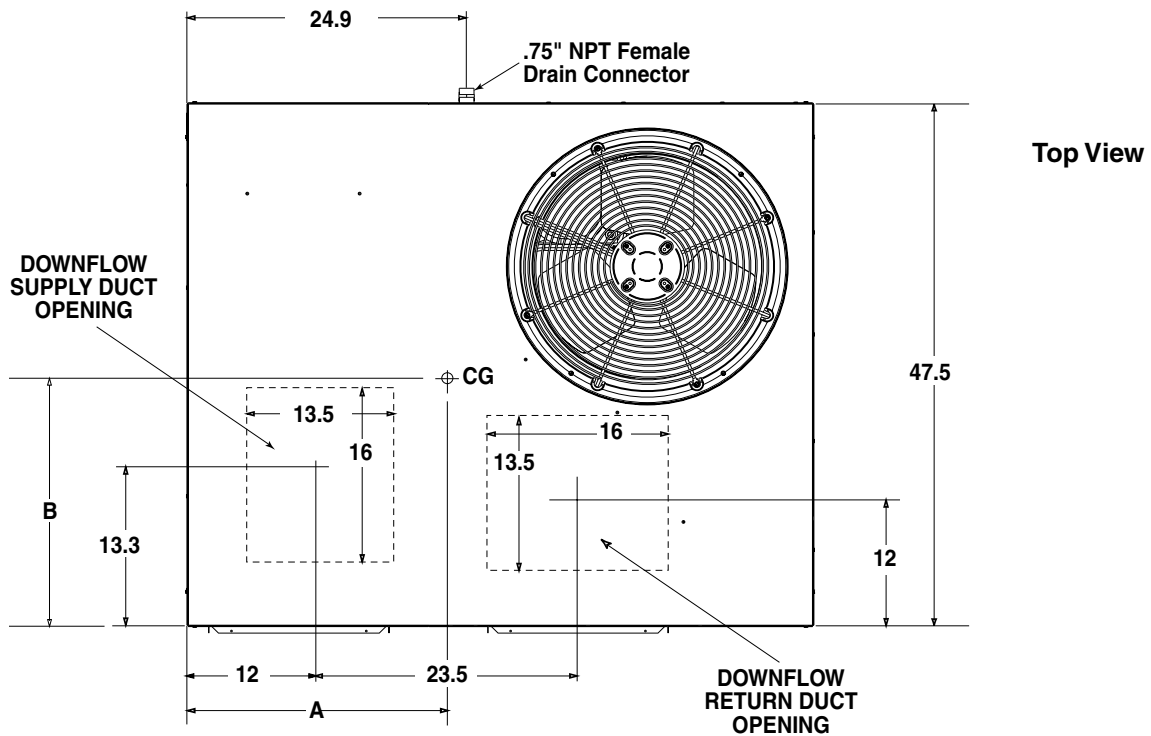
FEATURES and BENEFITS

- **State-of-the-Art Copeland Scroll:** Compressor is standard equipment.
- **5-Speed ECM Blower:** Delivers required air even in high static environments.
- **Proven, Industry Standard Components:** Easier service and availability.
- **TXV:** Externally equalized. Provides precise refrigerant control under varying load conditions.
- **Suction Accumulator:** Protection from liquid flood back and future compressor failures.
- **Crankcase Heater:** Prevents damaging flooded starts and future compressor failures.
- **High Pressure Switch:** Protects against abnormally high system pressures.
- **Low Pressure Switch:** Protects against loss of refrigerant charge.
- **Bi-Flow Liquid Line Filter/Drier:** Insures clean and dry refrigeration system.
- **Externally Accessible Service Ports:** Quick access to refrigerant system without disrupting operation.
- **Time Temperature Defrost:** A reliable, industry standard control offers various time settings to meet any type climate.
- **Five Minute Restart Time Delay:** When the units shuts down, a five minute delay keeps the unit from restarting, eliminating the highest cause for compressor failure.
- **Compact Footprint:** Easy to handle and transport.
- **Convertible Air Delivery as Shipped:** Horizontal or downflow to accommodate rooftop or horizontal application.
- **Heavy-Gauge, Full Perimeter Base Rails:** Facilitates forklift handling and curb mounting.
- **Galvanized Steel Cabinet:** with polyurethane finish provides 950 hour salt spray protection.
- **Wire Guard Coated with Earth - Friendly Epoxy and Plastic Mesh Hail Guard:** will never rust and protects the coil from being damaged by balls, hail etc.
- **Corrosion-Resistant Drain Pan:** Quickly drains away evaporator condensate.
- **Quiet Operation:** Low vibration. 24" fan blade combined with custom venturi condenser fan opening.
- **Access to Controls and Major Components:** Easy in and out service.
- **Service Access Panels:** To all major components and the compressor. Designed to make servicing easier for the Contractor.
- **Factory Installed Filter Rack:** Capable of 1" or 2" filters.
- **Field Installed Electric Heat Strip:** Capable of 9 or 15 kW of heat output.
- **Accessories:** Roof curbs, economizers, fresh air dampers and more.

MODEL IDENTIFICATION CODE

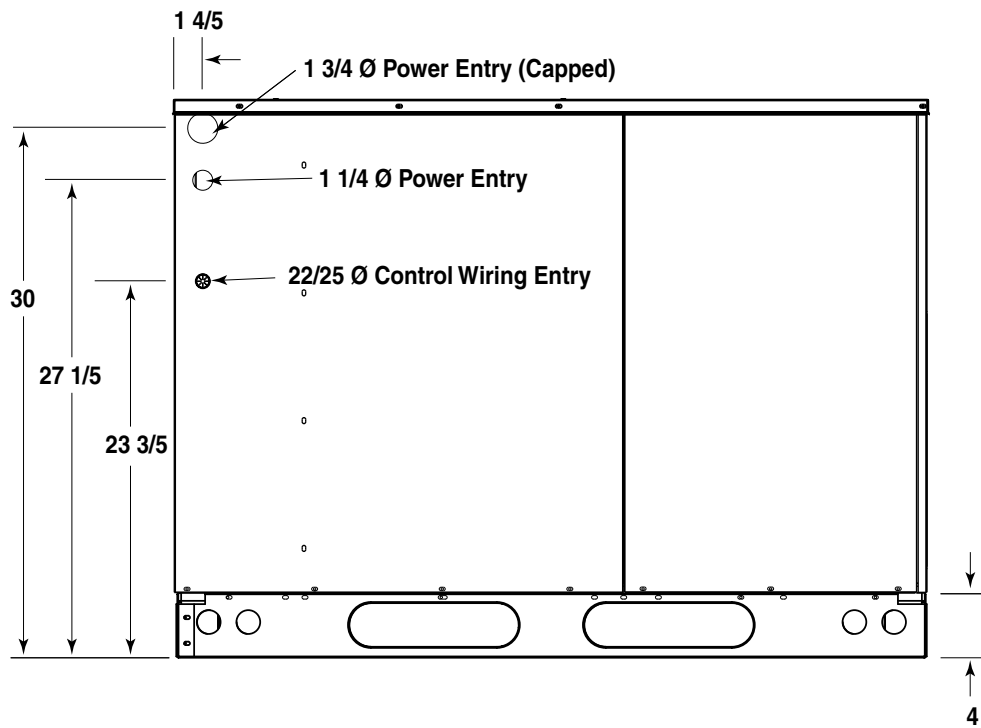


DIMENSIONS

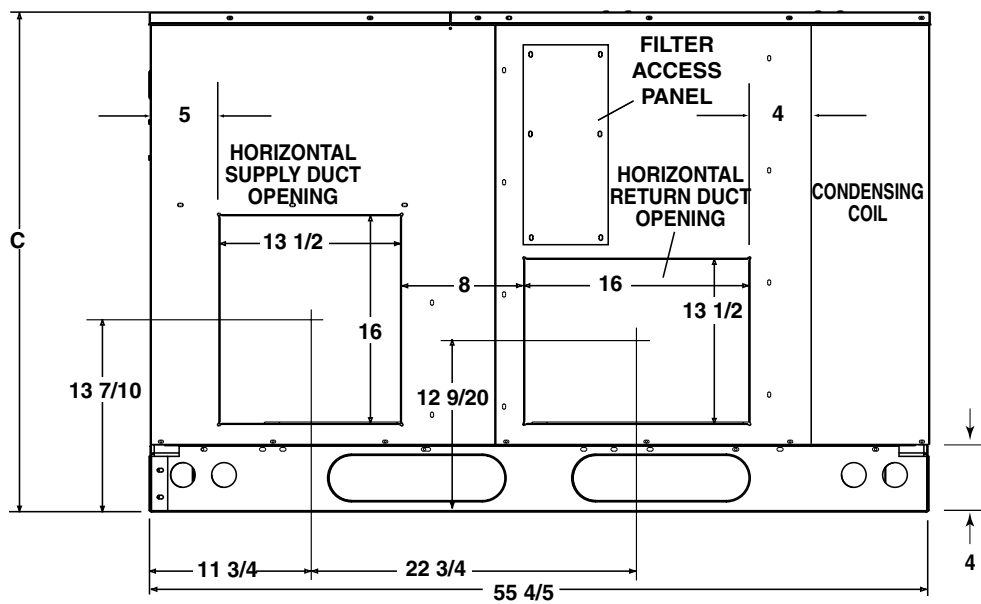


| Model Number Q6SE- | Net Weight | Shipping Weight | Center of Gravity | | Height (in inches) C | |
|-----------------------|------------|-----------------|-------------------|------|-------------------------|------------------|
| | | | A | B | w/ base rails | w/out base rails |
| X36(C,D) | 420 | 430 | 28.0 | 26.0 | 39 | 35.3 |
| X48(C,D) | 510 | 520 | 29.5 | 26.5 | 43 | 39.3 |
| X60(C,D) | 540 | 550 | 29.5 | 26.5 | 43 | 39.3 |

DIMENSIONS (Continued)



Side View



Back (Duct) View

SPECIFICATIONS

Q6SE Models 208/230V Three Phase

| Model Number | Q6SE- | | |
|----------------------------------|--|--|-----------|
| | X36C | X48C | X60C |
| Performance | | | |
| Capacity - Heating BTUH | 33,400 | 46,000 | 59,000 |
| Efficiency - HSPF | 8.0 | 8.0 | 8.0 |
| Capacity -Cooling BTUH | 34,200 | 48,000 | 58,000 |
| Efficiency - SEER | 14 | 14 | 14 |
| EER (Btuh/watt) | 11.0 | 11.0 | 11.0 |
| Electrical Rating - 60 Hz | | | |
| Phase | 3 | 3 | 3 |
| Operating Voltage Range | 187 - 253 | 187 - 253 | 187 - 253 |
| Volts | 208 / 230 | 208 / 230 | 208 / 230 |
| R-410A Charge - Oz. | 122 | 260 | 251 |
| Net Weight lbs. | 420 | 510 | 540 |
| Shipping Weight lbs. | 430 | 520 | 550 |
| Filters (Field Installed) | | | |
| Style | Disposable | Disposable | |
| Size (qty) | (1) 12" x 20" x 1" (2) 10" x 25" x 1" | (1) 12" x 20" x 1" (2) 12" x 25" x 1" | |
| | Field convertible to two inches | | |
| Sounds Ratings | 78 | 78 | 78 |

SPECIFICATIONS (CONT.)

Q6SE Models 460V Three Phase

| Model Number | Q6SE- | | |
|----------------------------------|--|--|-----------|
| | X36D | X48D | X60D |
| Performance | | | |
| Capacity - Heating BTUH | 33,400 | 46,000 | 59,000 |
| Efficiency - HSPF | 8.0 | 8.0 | 8.0 |
| Capacity -Cooling BTUH | 34,200 | 48,000 | 58,000 |
| Efficiency - SEER | 14 | 14 | 14 |
| EER (Btuh/watt) | 11.0 | 11.0 | 11.0 |
| Electrical Rating - 60 Hz | | | |
| Phase | 3 | 3 | 3 |
| Operating Voltage Range | 414 - 506 | 414 - 506 | 414 - 506 |
| Volts | 460 | 460 | 460 |
| R-410A Charge - Oz. | 123 | 261 | 251 |
| Net Weight lbs. | 420 | 510 | 540 |
| Shipping Weight lbs. | 430 | 520 | 550 |
| Filters (Field Installed) | | | |
| Style | Disposable | Disposable | |
| Size (qty) | (1) 12" x 20" x 1" (2) 10" x 25" x 1" | (1) 12" x 20" x 1" (2) 12" x 25" x 1" | |
| | Field convertible to two inches | | |
| Sounds Ratings | 78 | 78 | 78 |

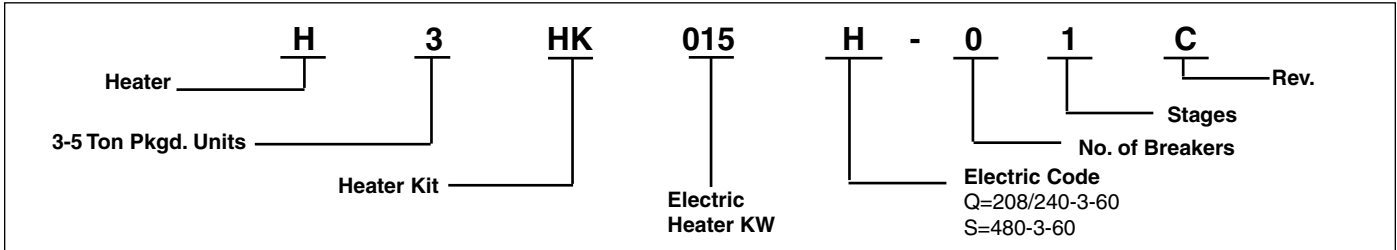
BLOWER PERFORMANCE

| Unit | Blower Setting | External Static Pressure Drop - inches water column | | | | | | | | | | | | | | | |
|----------|----------------|---|-----------|------|-----------|------|-----------|------|-----------|------|-----------|------|-----------|------|-----------|------|-----------|
| | | 0.1 | | 0.2 | | 0.3 | | 0.4 | | 0.5 | | 0.6 | | 0.7 | | 0.8 | |
| | | CFM | HEAT RISE | CFM | HEAT RISE | CFM | HEAT RISE | CFM | HEAT RISE | CFM | HEAT RISE | CFM | HEAT RISE | CFM | HEAT RISE | CFM | HEAT RISE |
| X36(C,D) | Tap T1 | 1137 | 25.01 | 1075 | 26.45 | 1012 | 28.10 | 950 | 29.93 | 863 | 32.95 | 770 | 36.93 | 694 | 40.97 | 619 | 45.94 |
| | Tap T2** | 1242 | 22.89 | 1187 | 23.95 | 1128 | 25.21 | 1057 | 26.90 | 993 | 28.63 | 921 | 30.87 | 827 | 34.38 | 754 | 37.71 |
| | Tap T3* | 1418 | 20.05 | 1370 | 20.76 | 1308 | 21.74 | 1251 | 22.73 | 1204 | 23.62 | 1123 | 25.32 | 1064 | 26.72 | 974 | 29.19 |
| | Tap T4 | 1567 | 18.15 | 1515 | 18.77 | 1459 | 19.49 | 1397 | 20.35 | 1338 | 21.25 | 1272 | 22.35 | 1184 | 24.02 | 1107 | 25.69 |
| | Tap T5 | 1700 | 16.73 | 1658 | 17.15 | 1596 | 17.82 | 1534 | 18.54 | 1481 | 19.20 | 1421 | 20.01 | 1358 | 20.94 | 1279 | 22.23 |
| X48(C,D) | Tap T1 | 952 | 29.87 | 901 | 31.56 | 864 | 32.91 | 728 | 39.06 | 672 | 42.31 | 583 | 48.77 | 508 | 55.97 | - | - |
| | Tap T2** | 1646 | 17.27 | 1593 | 17.85 | 1520 | 18.71 | 1476 | 19.26 | 1417 | 20.07 | 1349 | 21.08 | 1265 | 22.48 | 1198 | 23.73 |
| | Tap T3* | 1764 | 16.12 | 1705 | 16.68 | 1626 | 17.49 | 1570 | 18.11 | 1525 | 18.65 | 1451 | 19.60 | 1403 | 20.27 | 1304 | 21.81 |
| | Tap T4 | 1962 | 14.49 | 1916 | 14.84 | 1838 | 15.47 | 1787 | 15.91 | 1720 | 16.53 | 1670 | 17.03 | 1595 | 17.83 | 1537 | 18.50 |
| | Tap T5 | 2391 | 11.89 | 2334 | 12.18 | 2301 | 12.36 | 2242 | 12.68 | 2180 | 13.04 | 2132 | 13.34 | 2074 | 13.71 | 2017 | 14.10 |
| X60(C,D) | Tap T1 | 1088 | 26.13 | 1032 | 27.55 | 958 | 29.68 | 878 | 32.39 | 789 | 36.04 | 715 | 39.77 | 641 | 44.36 | 570 | 49.89 |
| | Tap T2** | 1764 | 16.12 | 1705 | 16.68 | 1626 | 17.49 | 1570 | 18.11 | 1525 | 18.65 | 1451 | 19.60 | 1403 | 20.27 | 1304 | 21.81 |
| | Tap T3* | 1777 | 16.00 | 1736 | 16.38 | 1680 | 16.93 | 1634 | 17.40 | 1571 | 18.10 | 1513 | 18.79 | 1447 | 19.65 | 1382 | 20.57 |
| | Tap T4 | 2106 | 13.50 | 2059 | 13.81 | 2000 | 14.22 | 1944 | 14.63 | 1878 | 15.14 | 1828 | 15.55 | 1751 | 16.24 | 1689 | 16.84 |
| | Tap T5 | 2391 | 11.89 | 2334 | 12.18 | 2301 | 12.36 | 2242 | 12.68 | 2180 | 13.04 | 2132 | 13.34 | 2074 | 13.71 | 2017 | 14.10 |

NOTES:

* Denotes factory set cooling speed
 ** Denotes factory set electric heating speed
 Calculated valves in matrix are all with 9kW heater kits.
 Airflow performance is with a dry coil.

MODEL IDENTIFICATION CODE



ACCESSORIES

913740 Circuit Breaker, Three Phase (3-Pole)

HEATER APPLICATION MATRIX

| Model No. Q6SE- | 240 Volt | | 460 Volt | |
|--------------------|-------------------------|-------------------------|-------------------------|------------------------|
| | H3HK009Q-01C 903854C | H3HK015Q-01C 903855C | H3HK009S-01B 903850B | H3HK015-01B 903851B |
| X36(C,D) | x | x(2) | x | x |
| X48(C,D) | x | x(2) | x | x |
| X60(C,D) | x | x(2) | x | x |

() = Number of internal circuit breaker kits required.

HEAT PUMP ELECTRICAL DATA

208-230V Three Phase

| Q6SE SERIES - 208/230V - 3 PHASE MODELS | | | | | | | |
|---|-----------|----------------|-----|---|-----|----------------------------|-----|
| MODEL Q6SE- | HEATER KW | SINGLE CIRCUIT | | MULTIPLE SUPPLY CIRCUIT OPTION | | | |
| | | MCA | MOP | CIRCUIT A (COMPRESSOR, BLOWER & FAN) | | CIRCUIT B (HEATER ONLY) | |
| | | | | MCA | MOP | MCA | MOP |
| X36C | 0 | 19.6 | 30 | - | - | - | - |
| | 9 | 46.7 | 50 | - | - | - | - |
| | 15 | 64.7 | 70 | 19.6 | 30 | 45.2 | 50 |
| X48C | 0 | 25.6 | 40 | - | - | - | - |
| | 9 | 52.7 | 60 | - | - | - | - |
| | 15 | 70.7 | 80 | 25.6 | 40 | 45.2 | 50 |
| X60C | 0 | 28.2 | 45 | - | - | - | - |
| | 9 | 55.3 | 60 | - | - | - | - |
| | 15 | 73.4 | 80 | 28.2 | 45 | 45.2 | 50 |

NOTE: All circuitry has been changed due to routing the blower motor to the contactor.

460V Three Phase

| Q6SE SERIES - 460V - 3 PHASE MODELS | | | | |
|-------------------------------------|-----------|----------------|---------------------------------|-----|
| MODEL Q6SE- | HEATER KW | SINGLE CIRCUIT | | |
| | | MCA | REC, WIRE GAGE (90° C CU) | MOP |
| X36D | 0 | 10.5 | 14 | 15 |
| | 9 | 24.6 | 10 | 25 |
| | 15 | 34 | 8 | 35 |
| X48D | 0 | 12.5 | 14 | 15 |
| | 9 | 26.6 | 10 | 30 |
| | 15 | 36.1 | 8 | 40 |
| X60D | 0 | 14.7 | 14 | 20 |
| | 9 | 28.8 | 10 | 30 |
| | 15 | 38.2 | 8 | 40 |

NOTE: All circuitry has been changed due to routing the blower motor to the contactor.

Q6SE ACCESSORIES

| Description | Part Number |
|--|-------------|
| Roof Curb (8") | 547830 |
| Roof Curb (14") | 547831 |
| Supply/return transition, 16" | 547834 |
| Supply/return transition, 18" | 547835 |
| Concentric diffuser, flush, 18" | 547837 |
| Concentric diffuser, step down 18" | 547839 |
| Manual Fresh Air Damper | 547832 |
| Motorized Fresh Air Damper | 547840 |
| Economizer, downflow, modulating w/filter (does not require filter kit), CA title 24 | 563209 |
| Economizer, horizontal, modulating, CA title 24 | 562534 |
| Power Exhaust, for use with horizontal economizer (208/230 3 Phase) | 555580 |
| Power Exhaust, for use with downflow economizer (460V 3 Phase) | 555579 |
| Power Exhaust, for use with horizontal economizer (460V 3 Phase) | 555581 |
| Hood Type Hail Guard 38" X 76" Q6SE-X48, Q6SE-X60 | 547847 |
| Duct Smoke Detector Photo Elec | 558863 |
| Low Ambient Kit | 918837 |
| Outdoor Thermostat Kit | 913852 |
| Skirt Trim Kit | 919729 |
| Freezestat Kit | 917108 |
| Duct Adapter 12" Round (2 each) | 913811A |
| Duct Adapter 14" Round (2 each) | 913812A |
| Control, CO2 Sensor, Duct Mount | 920318 |

Q6SE EXPANDED RATINGS - COOLING

Q6SE-X36(C,D)

| O.D.T | | | 65°F | | | 75°F | | | 95°F | | | 105°F | | | 115°F | | |
|-------|--------|--------|------|------|------|------|------|------|------|------|------|-------|------|------|-------|------|------|
| CFM | E.D.B. | E.W.B. | T.C. | S.C. | K.W. | T.C. | S.C. | K.W. | T.C. | S.C. | K.W. | T.C. | S.C. | K.W. | T.C. | S.C. | K.W. |
| 1100 | 80 | 62 | 36.4 | 31.8 | 2.09 | 35.5 | 31.1 | 2.29 | 31.5 | 28.8 | 2.85 | 28.6 | 27.4 | 3.20 | 25.0 | 25.0 | 3.60 |
| | 80 | 67 | 37.9 | 26.5 | 2.10 | 36.8 | 25.8 | 2.30 | 32.7 | 23.8 | 2.86 | 29.7 | 22.4 | 3.21 | 26.0 | 20.9 | 3.61 |
| | 80 | 72 | 41.2 | 21.0 | 2.11 | 40.0 | 20.4 | 2.32 | 35.6 | 18.5 | 2.87 | 32.4 | 17.2 | 3.22 | 28.6 | 15.8 | 3.62 |
| | 75 | 63 | 34.6 | 25.0 | 2.08 | 34.0 | 24.7 | 2.29 | 30.9 | 23.3 | 2.84 | 28.3 | 22.3 | 3.19 | 25.1 | 21.0 | 3.59 |
| 1250 | 80 | 62 | 38.0 | 34.8 | 2.12 | 37.0 | 34.0 | 2.33 | 33.1 | 31.7 | 2.88 | 30.2 | 30.2 | 3.23 | 26.6 | 26.6 | 3.63 |
| | 80 | 67 | 39.5 | 29.5 | 2.14 | 38.4 | 28.7 | 2.34 | 34.3 | 26.7 | 2.89 | 31.2 | 25.4 | 3.24 | 27.5 | 23.8 | 3.64 |
| | 80 | 72 | 42.8 | 23.9 | 2.15 | 41.6 | 23.3 | 2.35 | 37.2 | 21.4 | 2.90 | 34.0 | 20.2 | 3.25 | 30.2 | 18.7 | 3.65 |
| | 75 | 63 | 36.2 | 27.9 | 2.12 | 35.6 | 27.6 | 2.32 | 32.4 | 26.2 | 2.87 | 29.9 | 25.2 | 3.22 | 26.7 | 24.0 | 3.62 |
| 1400 | 80 | 62 | 38.1 | 34.6 | 2.17 | 37.1 | 33.8 | 2.37 | 33.2 | 31.5 | 2.92 | 30.3 | 30.1 | 3.28 | 26.7 | 26.7 | 3.68 |
| | 80 | 67 | 39.6 | 29.3 | 2.18 | 38.5 | 28.6 | 2.38 | 34.4 | 26.5 | 2.94 | 31.3 | 25.2 | 3.29 | 27.6 | 23.6 | 3.69 |
| | 80 | 72 | 42.8 | 23.7 | 2.19 | 41.6 | 23.1 | 2.39 | 37.3 | 21.2 | 2.95 | 34.1 | 20.0 | 3.30 | 30.3 | 18.5 | 3.70 |
| | 75 | 63 | 36.2 | 27.7 | 2.16 | 35.6 | 27.4 | 2.36 | 32.5 | 26.0 | 2.92 | 30.0 | 25.0 | 3.27 | 26.8 | 23.8 | 3.67 |

Q6SE-X48(C,D)

| O.D.T | | | 65°F | | | 75°F | | | 95°F | | | 105°F | | | 115°F | | |
|-------|--------|--------|------|------|------|------|------|------|------|------|------|-------|------|------|-------|------|------|
| CFM | E.D.B. | E.W.B. | T.C. | S.C. | K.W. | T.C. | S.C. | K.W. | T.C. | S.C. | K.W. | T.C. | S.C. | K.W. | T.C. | S.C. | K.W. |
| 1350 | 80 | 62 | 53.8 | 46.1 | 2.75 | 50.0 | 44.1 | 3.21 | 42.5 | 40.3 | 4.12 | 38.7 | 38.4 | 4.57 | 35.0 | 35.0 | 5.03 |
| | 80 | 67 | 58.8 | 39.0 | 2.74 | 55.0 | 37.1 | 3.19 | 47.5 | 33.2 | 4.10 | 43.8 | 31.3 | 4.55 | 40.0 | 29.4 | 5.01 |
| | 80 | 72 | 63.8 | 31.9 | 2.72 | 60.1 | 30.0 | 3.17 | 52.6 | 26.1 | 4.08 | 48.8 | 24.2 | 4.53 | 45.1 | 22.3 | 4.99 |
| | 75 | 63 | 54.1 | 37.6 | 2.72 | 50.3 | 35.7 | 3.17 | 42.8 | 31.9 | 4.08 | 39.0 | 30.0 | 4.54 | 35.3 | 28.1 | 4.99 |
| 1500 | 80 | 62 | 54.7 | 47.9 | 2.81 | 51.0 | 46.0 | 3.27 | 43.5 | 42.2 | 4.18 | 39.7 | 39.7 | 4.63 | 36.0 | 36.0 | 5.08 |
| | 80 | 67 | 59.8 | 40.8 | 2.79 | 56.0 | 38.9 | 3.25 | 48.5 | 35.1 | 4.16 | 44.8 | 33.2 | 4.61 | 41.0 | 31.2 | 5.07 |
| | 80 | 72 | 64.8 | 33.7 | 2.77 | 61.1 | 31.8 | 3.23 | 53.6 | 28.0 | 4.14 | 49.8 | 26.1 | 4.59 | 46.0 | 24.2 | 5.05 |
| | 75 | 63 | 55.0 | 39.5 | 2.78 | 51.3 | 37.6 | 3.23 | 43.8 | 33.7 | 4.14 | 40.0 | 31.8 | 4.59 | 36.3 | 29.9 | 5.05 |
| 1650 | 80 | 62 | 55.7 | 49.7 | 2.87 | 52.0 | 47.8 | 3.32 | 44.4 | 44.0 | 4.23 | 40.7 | 40.7 | 4.69 | 36.9 | 36.9 | 5.14 |
| | 80 | 67 | 60.8 | 42.7 | 2.85 | 57.0 | 40.7 | 3.31 | 49.5 | 36.9 | 4.21 | 45.7 | 35.0 | 4.67 | 42.0 | 33.1 | 5.12 |
| | 80 | 72 | 65.8 | 35.6 | 2.83 | 62.1 | 33.7 | 3.29 | 54.5 | 29.8 | 4.20 | 50.8 | 27.9 | 4.65 | 47.0 | 26.0 | 5.10 |
| | 75 | 63 | 56.0 | 41.3 | 2.83 | 52.3 | 39.4 | 3.29 | 44.8 | 35.6 | 4.20 | 41.0 | 33.7 | 4.65 | 37.2 | 31.8 | 5.11 |

Q6SE-X60(C,D)

| O.D.T | | | 65°F | | | 75°F | | | 95°F | | | 105°F | | | 115°F | | |
|-------|--------|--------|------|------|------|------|------|------|------|------|------|-------|------|------|-------|------|------|
| CFM | E.D.B. | E.W.B. | T.C. | S.C. | K.W. | T.C. | S.C. | K.W. | T.C. | S.C. | K.W. | T.C. | S.C. | K.W. | T.C. | S.C. | K.W. |
| 1500 | 80 | 62 | 64.8 | 53.6 | 3.43 | 60.6 | 51.4 | 3.92 | 52.1 | 47.0 | 4.90 | 47.9 | 44.9 | 5.38 | 43.6 | 42.7 | 5.87 |
| | 80 | 67 | 71.2 | 45.4 | 3.44 | 67.0 | 43.3 | 3.93 | 58.5 | 38.9 | 4.91 | 54.3 | 36.7 | 5.40 | 50.0 | 34.5 | 5.89 |
| | 80 | 72 | 77.6 | 37.3 | 3.46 | 73.4 | 35.1 | 3.95 | 64.9 | 30.8 | 4.93 | 60.7 | 28.6 | 5.41 | 56.5 | 26.4 | 5.90 |
| | 75 | 63 | 65.7 | 43.8 | 3.41 | 61.5 | 41.7 | 3.90 | 53.0 | 37.3 | 4.88 | 48.8 | 35.1 | 5.37 | 44.6 | 32.9 | 5.86 |
| 1650 | 80 | 62 | 65.5 | 55.5 | 3.53 | 61.3 | 53.3 | 4.02 | 52.8 | 49.0 | 4.99 | 48.6 | 46.8 | 5.48 | 44.3 | 44.3 | 5.97 |
| | 80 | 67 | 71.9 | 47.4 | 3.54 | 67.7 | 45.2 | 4.03 | 59.2 | 40.8 | 5.01 | 55.0 | 38.7 | 5.50 | 50.7 | 36.5 | 5.99 |
| | 80 | 72 | 78.3 | 39.2 | 3.56 | 74.1 | 37.1 | 4.05 | 65.6 | 32.7 | 5.02 | 61.4 | 30.5 | 5.51 | 57.2 | 28.4 | 6.00 |
| | 75 | 63 | 66.4 | 45.8 | 3.51 | 62.2 | 43.6 | 4.00 | 53.7 | 39.2 | 4.98 | 49.5 | 37.1 | 5.47 | 45.3 | 34.9 | 5.96 |
| 1800 | 80 | 62 | 66.2 | 57.5 | 3.63 | 62.0 | 55.3 | 4.11 | 53.5 | 50.9 | 5.09 | 49.3 | 48.7 | 5.58 | 45.0 | 45.0 | 6.07 |
| | 80 | 67 | 72.6 | 49.3 | 3.64 | 68.4 | 47.1 | 4.13 | 59.9 | 42.8 | 5.11 | 55.7 | 40.6 | 5.60 | 51.4 | 38.4 | 6.09 |
| | 80 | 72 | 79.0 | 41.2 | 3.66 | 74.8 | 39.0 | 4.14 | 66.3 | 34.7 | 5.12 | 62.1 | 32.5 | 5.61 | 57.9 | 30.3 | 6.10 |
| | 75 | 63 | 67.1 | 47.7 | 3.61 | 62.9 | 45.5 | 4.10 | 54.4 | 41.2 | 5.08 | 50.2 | 39.0 | 5.57 | 46.0 | 36.8 | 6.06 |

Q6SE HEATING EXPANDED RATINGS - HEATING

Q6SE-X36(C,D)

| | | OUTDOOR TEMPERATURE (Deg. F) | | | | | | | | | | | | | | | | | | | | |
|------|-----|------------------------------|-----|------|------|-----|------|------|-----|------|------|-----|------|------|-----|------|------|-----|------|------|-----|------|
| SCFM | IDT | 10 | | | 17 | | | 30 | | | 40 | | | 47 | | | 60 | | | 70 | | |
| | | MBH | COP | kW | MBH | COP | kW | MBH | COP | kW | MBH | COP | kW | MBH | COP | kW | MBH | COP | kW | MBH | COP | kW |
| 1100 | 60 | 15.1 | 2.1 | 1.97 | 18.8 | 2.5 | 2.04 | 25.5 | 3.3 | 2.17 | 30.5 | 3.8 | 2.27 | 34.0 | 4.1 | 2.35 | 40.5 | 4.6 | 2.48 | 45.4 | 5.0 | 2.58 |
| | 70 | 13.4 | 1.7 | 2.25 | 17.1 | 2.1 | 2.32 | 23.8 | 2.8 | 2.45 | 28.8 | 3.3 | 2.56 | 32.3 | 3.6 | 2.63 | 38.8 | 4.1 | 2.76 | 43.7 | 4.4 | 2.86 |
| | 80 | 11.7 | 1.3 | 2.53 | 15.4 | 1.7 | 2.60 | 22.1 | 2.3 | 2.74 | 27.1 | 2.8 | 2.84 | 30.6 | 3.1 | 2.91 | 37.1 | 3.5 | 3.04 | 42.0 | 3.8 | 3.14 |
| 1250 | 60 | 15.4 | 2.2 | 1.99 | 19.0 | 2.6 | 2.06 | 25.7 | 3.3 | 2.20 | 30.8 | 3.8 | 2.30 | 34.3 | 4.2 | 2.37 | 40.7 | 4.7 | 2.50 | 45.6 | 5.1 | 2.60 |
| | 70 | 13.7 | 1.8 | 2.27 | 17.3 | 2.2 | 2.35 | 24.0 | 2.9 | 2.48 | 29.1 | 3.3 | 2.58 | 32.6 | 3.6 | 2.65 | 39.0 | 4.1 | 2.78 | 43.9 | 4.4 | 2.89 |
| | 80 | 12.0 | 1.4 | 2.56 | 15.6 | 1.8 | 2.63 | 22.3 | 2.4 | 2.76 | 27.4 | 2.8 | 2.86 | 30.9 | 3.1 | 2.93 | 37.3 | 3.6 | 3.07 | 42.2 | 3.8 | 3.17 |
| 1400 | 60 | 15.6 | 2.2 | 2.02 | 19.3 | 2.7 | 2.09 | 26.0 | 3.4 | 2.22 | 31.0 | 3.9 | 2.32 | 34.5 | 4.2 | 2.39 | 41.0 | 4.8 | 2.52 | 45.9 | 5.1 | 2.63 |
| | 70 | 13.9 | 1.8 | 2.30 | 17.6 | 2.2 | 2.37 | 24.3 | 2.9 | 2.50 | 29.3 | 3.4 | 2.60 | 32.8 | 3.7 | 2.67 | 39.3 | 4.2 | 2.81 | 44.2 | 4.5 | 2.91 |
| | 80 | 12.2 | 1.4 | 2.58 | 15.9 | 1.8 | 2.65 | 22.6 | 2.5 | 2.78 | 27.6 | 2.9 | 2.89 | 31.1 | 3.2 | 2.96 | 37.6 | 3.6 | 3.09 | 42.5 | 3.9 | 3.19 |

Q6SE-X48(C,D)

| | | OUTDOOR TEMPERATURE (Deg. F) | | | | | | | | | | | | | | | | | | | | |
|------|-----|------------------------------|-----|------|------|-----|------|------|-----|------|------|-----|------|------|-----|------|------|-----|------|------|-----|------|
| SCFM | IDT | 10 | | | 17 | | | 30 | | | 40 | | | 47 | | | 60 | | | 70 | | |
| | | MBH | COP | kW | MBH | COP | kW | MBH | COP | kW | MBH | COP | kW | MBH | COP | kW | MBH | COP | kW | MBH | COP | kW |
| 1350 | 60 | 22.2 | 2.3 | 2.65 | 26.5 | 2.6 | 2.82 | 35.3 | 3.3 | 3.13 | 42.7 | 3.7 | 3.37 | 48.1 | 4.0 | 3.54 | 59.0 | 4.5 | 3.86 | 67.9 | 4.9 | 4.10 |
| | 70 | 20.3 | 1.9 | 3.04 | 24.6 | 2.2 | 3.21 | 33.4 | 2.8 | 3.53 | 40.8 | 3.2 | 3.77 | 46.2 | 3.4 | 3.94 | 57.1 | 3.9 | 4.26 | 66.0 | 4.2 | 4.50 |
| | 80 | 18.4 | 1.5 | 3.44 | 22.7 | 1.8 | 3.61 | 31.5 | 2.3 | 3.93 | 38.9 | 2.7 | 4.17 | 44.3 | 2.9 | 4.34 | 55.2 | 3.3 | 4.66 | 64.1 | 3.5 | 4.90 |
| 1500 | 60 | 22.6 | 2.4 | 2.65 | 27.0 | 2.7 | 2.82 | 35.8 | 3.4 | 3.13 | 43.2 | 3.8 | 3.38 | 48.6 | 4.1 | 3.55 | 59.5 | 4.6 | 3.86 | 68.4 | 5.0 | 4.11 |
| | 70 | 20.7 | 2.0 | 3.05 | 25.1 | 2.3 | 3.22 | 33.9 | 2.9 | 3.53 | 41.3 | 3.3 | 3.77 | 46.7 | 3.5 | 3.94 | 57.5 | 4.0 | 4.26 | 66.5 | 4.3 | 4.50 |
| | 80 | 18.8 | 1.6 | 3.44 | 23.2 | 1.9 | 3.61 | 32.0 | 2.4 | 3.93 | 39.4 | 2.7 | 4.17 | 44.8 | 3.0 | 4.34 | 55.6 | 3.3 | 4.66 | 64.6 | 3.6 | 4.90 |
| 1650 | 60 | 23.1 | 2.5 | 2.65 | 27.5 | 2.8 | 2.82 | 36.3 | 3.4 | 3.14 | 43.6 | 3.9 | 3.38 | 49.1 | 4.2 | 3.55 | 59.9 | 4.7 | 3.86 | 68.9 | 5.0 | 4.11 |
| | 70 | 21.2 | 2.1 | 3.05 | 25.6 | 2.4 | 3.22 | 34.4 | 3.0 | 3.53 | 41.7 | 3.4 | 3.78 | 47.2 | 3.6 | 3.95 | 58.0 | 4.1 | 4.26 | 67.0 | 4.4 | 4.50 |
| | 80 | 19.3 | 1.7 | 3.44 | 23.7 | 2.0 | 3.61 | 32.5 | 2.5 | 3.93 | 39.8 | 2.8 | 4.17 | 45.3 | 3.1 | 4.34 | 56.1 | 3.4 | 4.66 | 65.0 | 3.7 | 4.90 |

Q6SE-X60(C,D)

| | | OUTDOOR TEMPERATURE (Deg. F) | | | | | | | | | | | | | | | | | | | | |
|------|-----|------------------------------|-----|------|------|-----|------|------|-----|------|------|-----|------|------|-----|------|------|-----|------|------|-----|------|
| SCFM | IDT | 10 | | | 17 | | | 30 | | | 40 | | | 47 | | | 60 | | | 70 | | |
| | | MBH | COP | kW | MBH | COP | kW | MBH | COP | kW | MBH | COP | kW | MBH | COP | kW | MBH | COP | kW | MBH | COP | kW |
| 1500 | 60 | 30.7 | 2.3 | 3.56 | 35.8 | 2.6 | 3.71 | 45.8 | 3.2 | 3.98 | 53.8 | 3.6 | 4.18 | 59.7 | 3.9 | 4.33 | 70.9 | 4.3 | 4.60 | 80.0 | 4.7 | 4.80 |
| | 70 | 28.8 | 2.0 | 4.07 | 33.9 | 2.3 | 4.21 | 43.9 | 2.8 | 4.48 | 51.9 | 3.2 | 4.69 | 57.8 | 3.4 | 4.83 | 69.0 | 3.9 | 5.10 | 78.1 | 4.2 | 5.31 |
| | 80 | 26.9 | 1.6 | 4.58 | 32.0 | 1.9 | 4.72 | 42.0 | 2.4 | 4.99 | 50.0 | 2.7 | 5.20 | 55.9 | 3.0 | 5.34 | 67.1 | 3.4 | 5.61 | 76.2 | 3.7 | 5.82 |
| 1650 | 60 | 31.0 | 2.4 | 3.59 | 36.1 | 2.7 | 3.73 | 46.1 | 3.2 | 4.00 | 54.1 | 3.6 | 4.20 | 60.0 | 3.9 | 4.35 | 71.2 | 4.4 | 4.62 | 80.3 | 4.7 | 4.82 |
| | 70 | 29.1 | 2.0 | 4.09 | 34.2 | 2.3 | 4.24 | 44.2 | 2.8 | 4.51 | 52.2 | 3.2 | 4.71 | 58.1 | 3.5 | 4.86 | 69.3 | 3.9 | 5.13 | 78.4 | 4.2 | 5.33 |
| | 80 | 27.2 | 1.7 | 4.60 | 32.3 | 1.9 | 4.74 | 42.3 | 2.4 | 5.01 | 50.3 | 2.8 | 5.22 | 56.2 | 3.0 | 5.36 | 67.4 | 3.4 | 5.63 | 76.5 | 3.7 | 5.84 |
| 1800 | 60 | 31.3 | 2.4 | 3.61 | 36.5 | 2.7 | 3.75 | 46.4 | 3.3 | 4.02 | 54.5 | 3.7 | 4.23 | 60.3 | 3.9 | 4.37 | 71.5 | 4.4 | 4.64 | 80.6 | 4.8 | 4.85 |
| | 70 | 29.4 | 2.1 | 4.11 | 34.5 | 2.4 | 4.26 | 44.5 | 2.9 | 4.53 | 52.5 | 3.3 | 4.73 | 58.4 | 3.5 | 4.88 | 69.6 | 3.9 | 5.15 | 78.7 | 4.3 | 5.35 |
| | 80 | 27.5 | 1.7 | 4.62 | 32.6 | 2.0 | 4.77 | 42.6 | 2.5 | 5.04 | 50.6 | 2.8 | 5.24 | 56.5 | 3.1 | 5.39 | 67.7 | 3.5 | 5.66 | 76.8 | 3.8 | 5.86 |



For complete catalog information including submittals, energy calculations, dimension drawings, and more go to www.ReznorHVAC.com or call 800-695-1901.

Note: In keeping with our policy of continuous product improvement, we reserve the right to alter, at any time, the design, construction, dimensions, weights, etc., of equipment information shown here.