



# Replacement Parts

Applies to: **Indirect-Fired Equipment with Electronic Modulation**  
**Option AG7, AG8, AG9 or AG9H**

## Replacement Kits for Maxitrol Amplifier in Electronic Modulation Options AG7, AG8, AG9 and AG9H

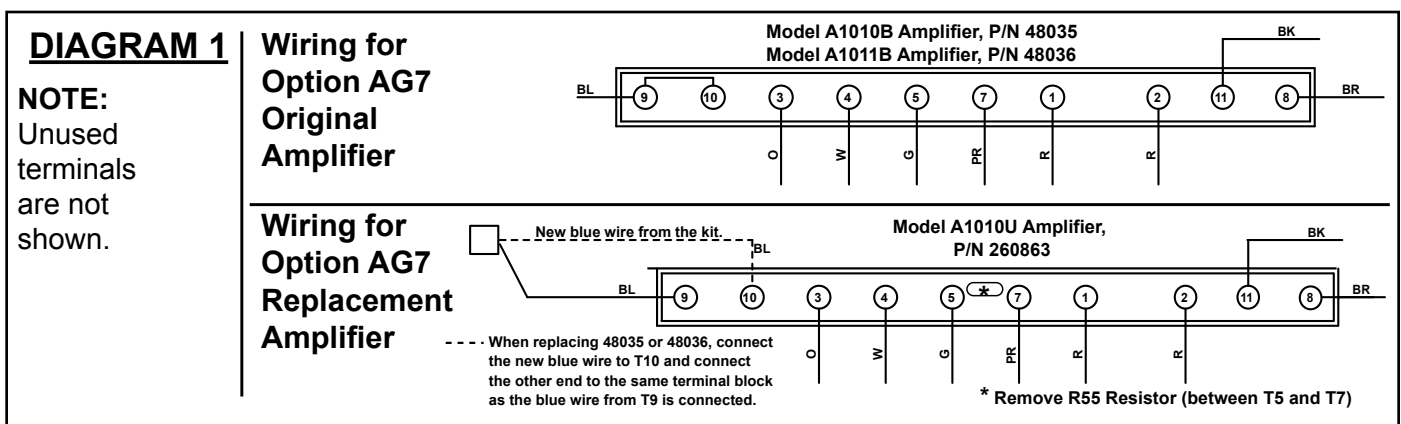
### Application and Components

The replacement amplifier functions the same as the original, but when replacing an older amplifier, there is a difference in wire connections.

<b>P/N 260863,                  Maxitrol                  Model                  A1010U</b> 	<b>P/N 260864,                  Maxitrol                  Model                  AD1010U</b> 	
Kit P/N	Kit Components	Use this kit to replace
262320	Amplifier, <b>P/N 260863</b>	Amplifier P/N 48035, 48036, or 260863 in Electronic Modulation Option AG7, AG9 or AG9H.
	Blue Wire, <b>P/N 159289</b>	
	(9) Wire Terminals, <b>P/N 142860</b>	
262321	Amplifier, <b>P/N 260864</b>	Amplifier P/N 48037, 48038, or 260864 in Electronic Modulation Option AG8.
	Blue Wire, <b>P/N 159289</b>	
	(8) Wire Terminals, <b>P/N 142860</b>	

### Instructions

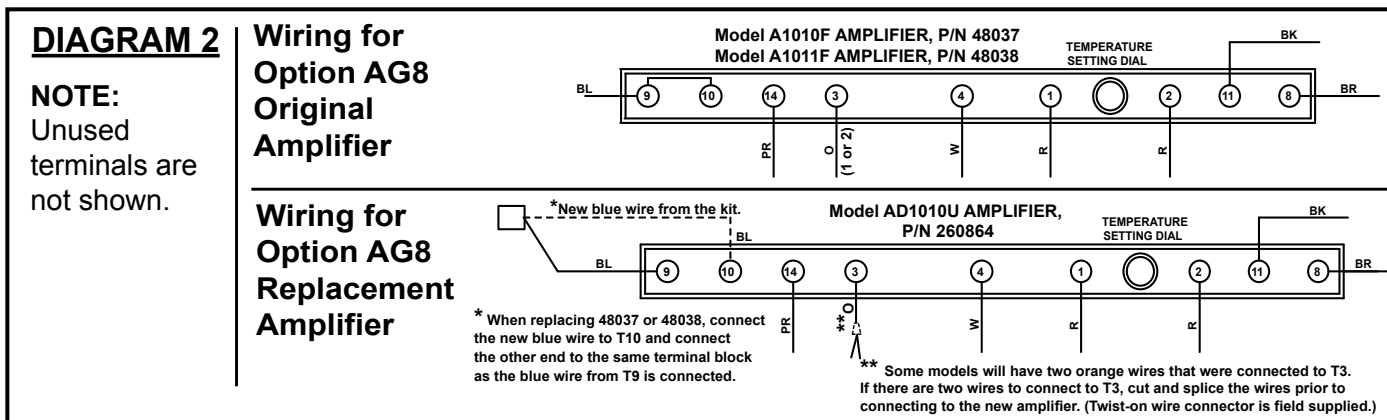
- Turn off the gas and disconnect the power.
  - Locate the amplifier being replaced. Mark and disconnect the wires from the amplifier. Remove the amplifier.
  - Attach the replacement amplifier using the screws supplied.
  - Wire the replacement amplifier.
    - If replacing P/N 260863 or 260864**, wire connections are the same. Reconnect the wires as marked or refer to the replacement wiring diagram (DIAGRAM 1, 2, or 3) for the AG Option. The blue wire and the terminals in the kit are not used.
    - NOTE:** If installing P/N 260863 on a unit with Option AG7, remove the R55 resistor between T5 and T7.
    - If replacing P/N 48035, 48036, 48037, or 48038**, select and follow the instructions and wiring diagram that apply and connect the wires.
- **Option AG7, DIAGRAM 1**
- Remove the R55 resistor between T5 and T7.
  - Attach a wire terminal to each of the nine wires and attach the wires to the amplifier (**P/N 260863**) as shown
  - Attach the new blue wire to T10 and the other end to the same terminal block as the blue wire from T9 is connected.



# Instructions (cont'd)

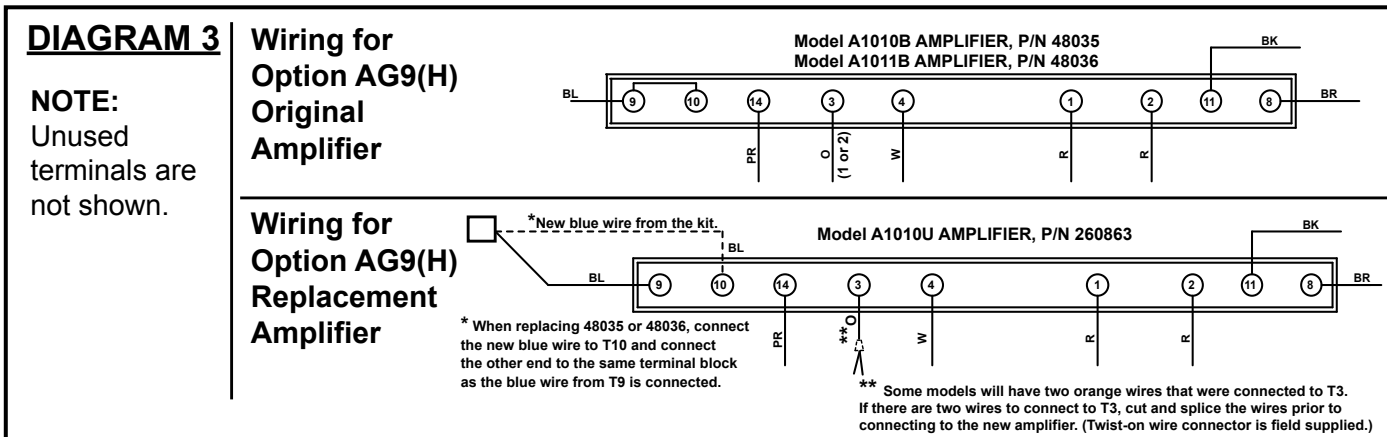
## — Option AG8, DIAGRAM 2

- 1) If there were two orange wires attached to T3, cut and splice the wires prior to adding the terminal.
- 2) Attach a wire terminal to each of the wires and attach to the eight terminals on the amplifier (P/N 260864) as shown.
- 3) Attach the new blue wire to T10 and the other end to the same terminal block as the blue wire from T9 is connected.



## — Option AG9(H), DIAGRAM 3

- 1) If there were two orange wires attached to T3, cut and splice the wires prior to adding the terminal.
- 2) Attach a wire terminal to each of the wires and attach to the eight terminals on the amplifier (P/N 260863) as shown.
- 3) Attach the new blue wire to T10 and the other end to the same terminal block as the blue wire from T9 is connected.



5. Close the cabinet.  
Turn on the electric.  
Turn on the gas.  
Check for proper operation.
6. Keep this form for future reference.

Specifications & illustrations subject to change without notice and without incurring obligations.  
© Nortek Global HVAC, LLC 2016. All rights reserved.  
All marks are the property of their respective organizations.  
O'Fallon, MO | Printed in U.S.A. (1/16)  
Form CP-AG7/8/9 Amplifier Kits (1-16), PN 262319 R3