


Replacement Relay Kit, P/N 259521

Applies to ALL Reznor Power Vented Units using either P/N 46233 or P/N 259518 Time Delay Relay

Application

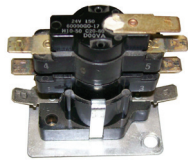
This kit is designed to replace either the time delay relay P/N 46233, Texas Instruments #60000GO-17, or P/N 259518, ICM #CTVR-AT1207, on any Reznor unit. This application includes but is not limited to Reznor Model Series SC(A)(B)(E), SSCBL, RPV, RP(B)(BL), HRPD, PGBL, PCCA, and AHCA. It also applies to gravity-vented Models F and B when equipped with an optional power venter.

Components

Replacement Kit P/N 259521			 <p>P/N 259780</p>
Qty	P/N	Description	
1	259780	Time Delay Relay, Thermodisc #12S22 305587	
1	259524	Instruction Sheet, Form CP-Relay Kit 259521	

Installation Instructions

1. Turn off the gas and the power.
2. Locate the venter junction box. Remove the cover and locate the time delay relay to be removed.



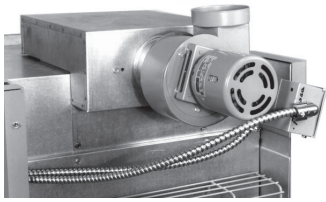
P/N 46233



P/N 259518

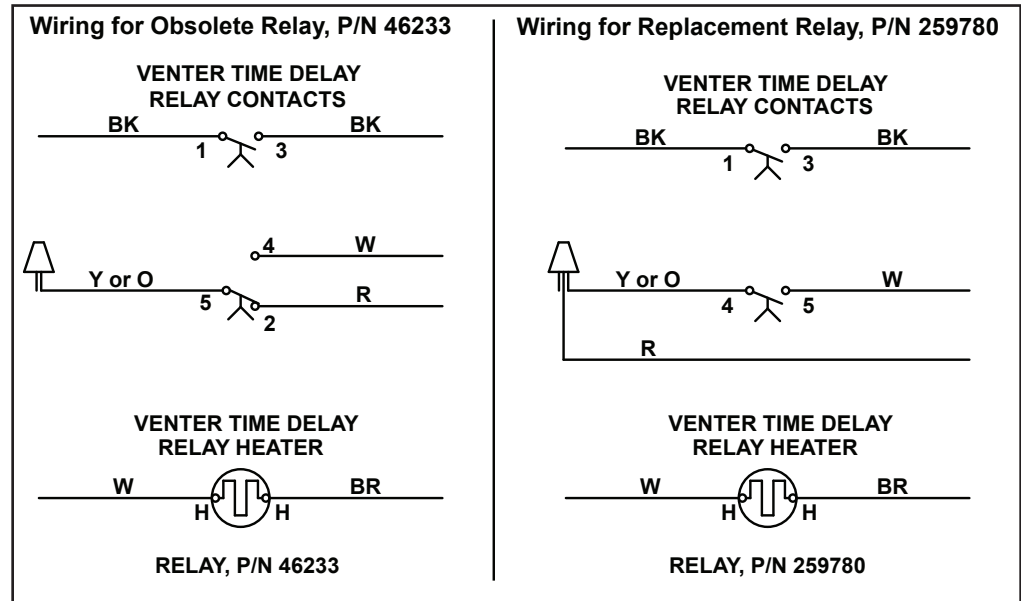
3. Mark and disconnect the wires from the time delay relay. Remove the relay from the junction box.
4. Inside the junction box, attach the new time delay relay. (Using the relay as a template, mark and drill a hole if needed. Attach the relay with field-supplied hardware.)
5. Select the application that applies and connect the wires.
 - **On ALL Reznor units EXCEPT Models F and B with a power venter** - The wiring is the same as for the relay removed. Connect the wires.
 - **Model F and B WITH a power venter ONLY-** Wiring depends on the relay being removed. Choose the appropriate wiring diagram on page 2 and connect the wires.
6. Replace the junction box cover.
7. Turn on the electric and gas. Refer to the Operating Sequence on the unit wiring diagram and check the unit for proper operation.

Wiring Diagrams - IMPORTANT: These diagrams apply **ONLY** to Models F and B with a power venter. For **ALL** other models, the wiring connections are the same as for the relay being replaced.

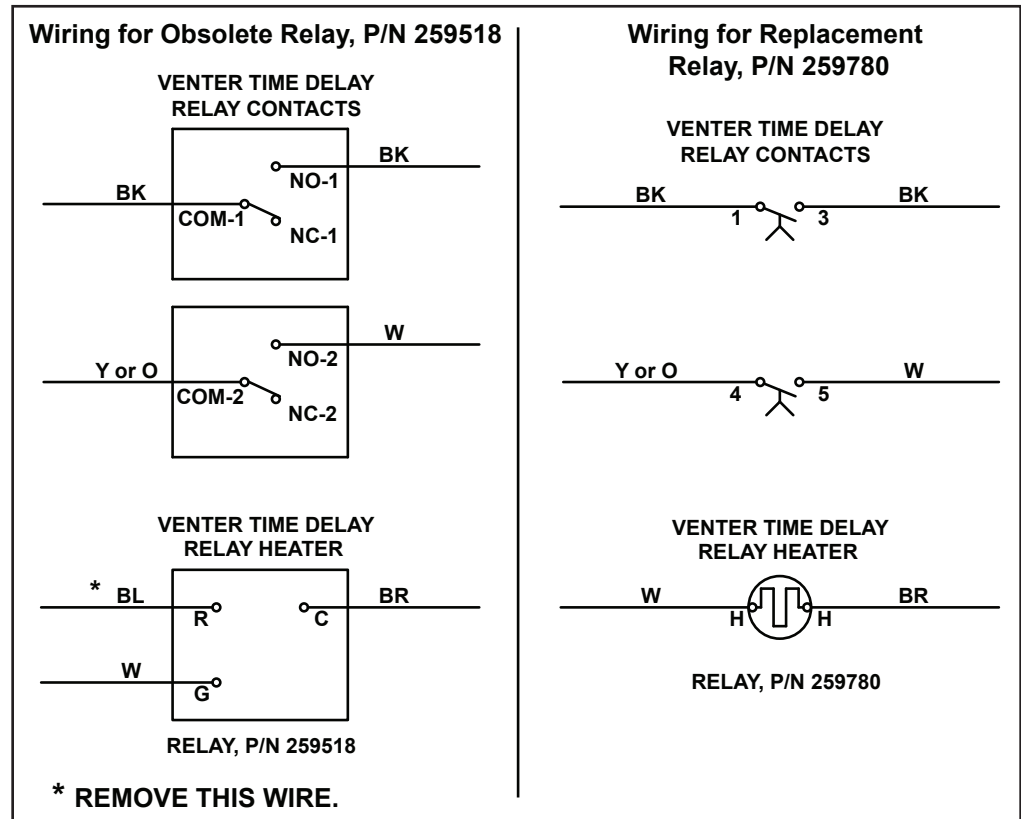


Model F with Option CA Power Venter

Wiring Connections for replacing time delay relay, P/N 46233, on a Model F or B unit heater with optional power venter.



Wiring Connections for replacing time delay relay, P/N 259518, on a Model F or B unit heater with optional power venter.



www.ReznorHVAC.com; (800) 695-1901

