




## Replacement Relay Kit, P/N 262375

**Applies to ALL Reznor Power Vented Units using P/N 206146 Time Delay Relay**

### Application

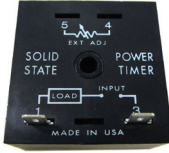

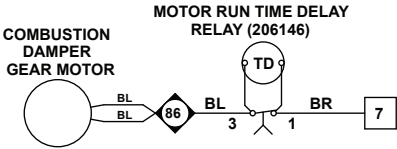
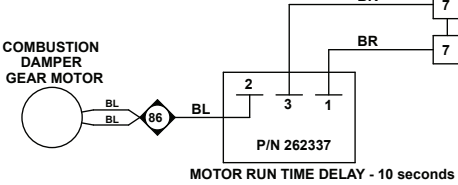
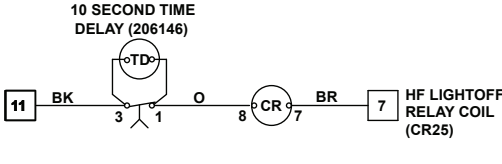
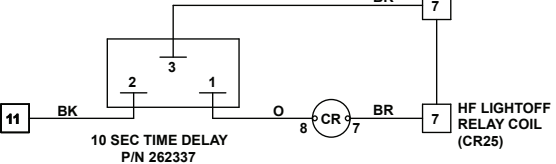
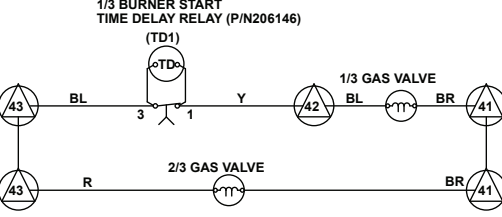
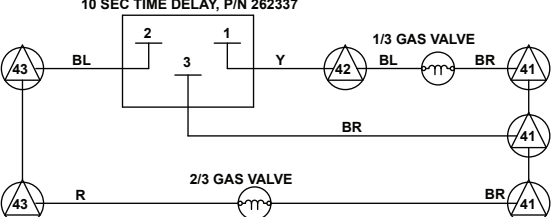
This kit is designed to replace time delay relay P/N 206146, THD72110SA, on any Reznor unit. This application includes but is not limited to Reznor Models SC(A)(B)(E), SSCBL, RPV, RP(B)(BL), HRPD; Reznor PREEVA® Models SDH, RDH, and PDH; and Reznor MAPS®II Models RDCA and RDDA.

### Components

Replacement Kit P/N 262375			 <b>P/N 262337</b>
Qty	P/N	Description	
1	<b>262337</b>	Time Delay Relay, Airotronics #TGLB3010SC2H	
1	<b>101676</b>	Brown Wire Assembly, 18" x 18 Gauge	
1	<b>262376</b>	Instruction Sheet, Form CP-Relay Kit 262375	

### Installation Instructions

1. Turn off the gas and the power.
2. Locate the junction box. Remove the cover and locate the time delay relay to be removed (see illustration, left below).
3. Mark and disconnect the wires from the time delay relay. Remove the relay from the junction box.
4. Inside the junction box, attach the new time delay relay. Follow the diagram below that applies, to reconnect the wires and add the new wire from the kit.

	<b>Wiring Connections with Original Relay, P/N 206146</b> 	<b>Wiring Connections with Replacement Relay, P/N 262337</b> 
<b>Model Series SC and RP</b>		
<b>PREEVA® Models SDH, PDH, and RDH</b>		
<b>MAPS®II Models RDCA and RDDA</b>  (WD #278057)		

5. Replace the junction box cover.
6. Turn on the electric and gas. Refer to the Operating Sequence on the unit wiring diagram and check for proper operation.

**www.ReznorHVAC.com; (800) 695-1901**

©2014 Reznor LLC. All rights reserved.

**Trademark Note:** Reznor®, PREEVA®, and MAPS® are registered in at least the United States.