

Replacing a Venter Restrictor Plate on a 409 Stainless Steel Heat Exchanger

Applies: Models SC, HSC & SCA Series 6

DANGER

The replacement heat exchanger should be installed by a qualified service agency in compliance with all codes and requirements of authorities having jurisdiction. Installation of a replacement heat exchanger requires new heat exchanger gaskets. Improper installation could result in death, serious injury and/or property damage. The qualified agency performing this work assumes responsibility for this installation.

Application

Check the furnace rating plate and wiring diagram to determine if the replacement venter restrictor is required.

- Is the unit a Model SC, HSC or SCA?**
 If not, discard the venter restrictor plate, gasket and these instructions; they are not needed.
 If the unit is one of these models, continue with the next question.
- If a Model SC, HSC or SCA, is it a Series 6?**
 Re-check the Model No. on the furnace rating plate. If the unit is a Series 6, it will be indicated as a suffix to the Model No. (example: SC400-6).
 If the unit is not a Series 6, discard the venter restrictor plate, gasket and these instructions; they are not needed.
 If the unit is a Model SC, HSC or SCA Series 6, continue with the next question.
- Did the unit have an aluminized heat exchanger?**
 Re-check the Model No. on the furnace rating plate. If the Model No. is not prefixed with an "E" or an "S" (example: SC400; not ESC or SSC), it has an aluminized heat exchanger.
 If the Model No. has an "E" or an "S" prefix, discard the venter restrictor plate, gasket and these instructions; they are not needed.
 If the Model No. does not have an "E" or an "S" prefix, continue to the next question.
- Does the furnace have Gas Control Option AG39, AG40, AG41 or AG42?**
 Check the unit wiring diagram or the rating plate. Control option codes are listed on the bottom of the wiring diagram. On the rating plate, check the serial number. If the serial number has a suffix MP1, MP2, MP3 or MP4, the unit is equipped with one of these gas control options.
 If the unit is equipped with Option AG39, AG40, AG41 or AG42, discard the venter restrictor plate, gasket and these instructions; they are not needed.
 If the unit does not have one of these gas control options, continue with the installation of the replacement venter restrictor plate.

Components

Model SC/HSC/SCA Size (Series 6)	100-6	125-6	150-6	175-6	200-6	225-6	250-6	300-6	350-6	400-6
Venter Restrictor Plate P/N used with Stainless Steel Heat Exchanger		43254		43257		43258		68392	125862	125863
* Orifice Diameter		1-3/4"		2-1/8"		2-3/8"		2-3/4"	3"	3-9/16"
Venter Gasket P/N		44695		44695		44695		44695	44695	44695

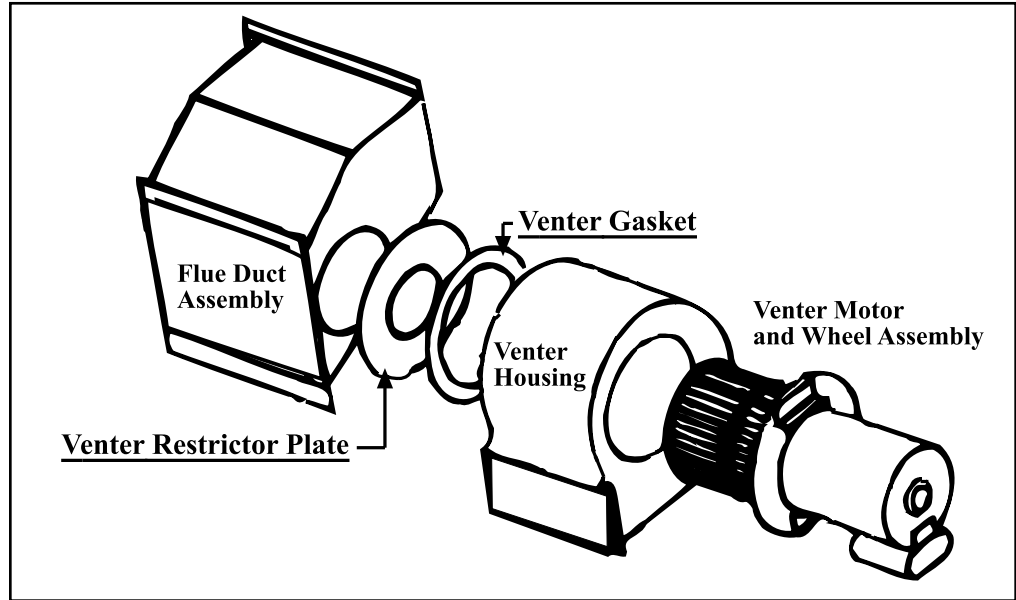
* As a precaution, verify the diameter of the orifice before installing. If there is a discrepancy, do not install and contact your distributor

Instructions

1. Turn off the electric power and the gas.
2. Remove the Venter Restrictor Plate.
 - a) Locate the hardware attaching the venter motor and wheel assembly to the housing. Carefully remove the venter motor and wheel as an assembly from the venter housing.
 - b) Inside the housing, locate the three screws that hold it to the flue duct assembly. Remove the screws; the housing, venter gasket and the venter restrictor plate will be loose. Discard the venter restrictor plate and the gasket.

FIGURE 1

The venter restrictor plate adjusts the size of the outlet in the flue duct assembly and must be changed when installing a stainless steel heat exchanger to replace an aluminized heat exchanger on certain sizes of Model SC, HSC and SCA Series 6



3. Install the New Venter Restrictor Plate and Gasket.

- a) Line up the venter housing assembly, the new venter gasket and the new venter restrictor plate in the sequence illustrated in **Figure 1**. Attach the three pieces to the flue duct assembly.
- b) Re-attach the venter motor and wheel assembly.

Additional Maintenance Checks

As part of the replacement heat exchanger installation, inspect and clean the cabinet, burner and venter. Replace any components that are not structurally sound.

When installation of the replacement heat exchanger is complete, review the Check Installation and Startup Section of the unit installation manual.

CHECK ALL SAFETY FEATURES FOR PROPER OPERATION.