

Replacement Kit for Discontinued Venter Post Purge Control Kit P/N 209187

Applies to all Reznor® Power-Vented (including Separated Combustion) Furnaces and Packaged Systems with Post Purge Control Thermodisc 29T12-32711 (Reznor P/N 11886)

DANGER: This replacement kit is to be installed by a qualified service agency in accordance with these instructions and in compliance with all codes and requirements of authorities having jurisdiction. Failure to follow instructions could result in death, serious injury, and/or property damage. The qualified agency performing this work assumes responsibility for this installation.

Description/ Application

The post purge control used on Reznor power vented and separated combustion heating equipment manufactured prior to 1987 has been discontinued by the manufacturer. This timed delay relay kit is designed to replace the control and applies to all Reznor products using a Thermodisc 29T12-32711 venter post purge control (Reznor P/N 11886).

Components

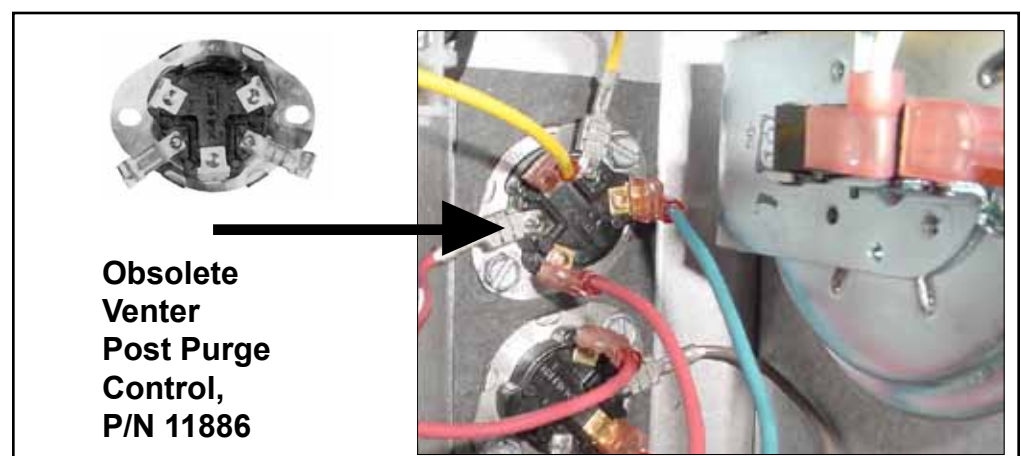
Components of Kit P/N 209187		
Qty	P/N	Description
1	209191	Wired Relay Assembly including SPDT Time Delay Relay #12S30-318121
1	209167	Relay Mounting Bracket
1	96246	#10 x 3/8" long Screw (attach relay to bracket)

Installation Instructions

WARNING: Improper installation, adjustment, alteration, service or maintenance can cause property damage, injury, or death. Read the instructions thoroughly before installing or servicing this equipment.

1. Turn off the gas and the electric.
2. Remove the control access panel.
3. **Remove the Obsolete Venter Post Purge Control (FIGURE 1)**
Open the electrical box cover (if provided) and locate the venter post purge control.

**FIGURE 1 - Location
of Obsolete Venter
Post Purge Control**



Disconnect the five wires on the post purge control. Save the blue, red, and yellow wires that go to Terminals 1, 2, and 3. Discard the red and yellow wires that go to Terminals A and B.

Remove the two screws that hold the post purge control. Save the screws and discard the control.

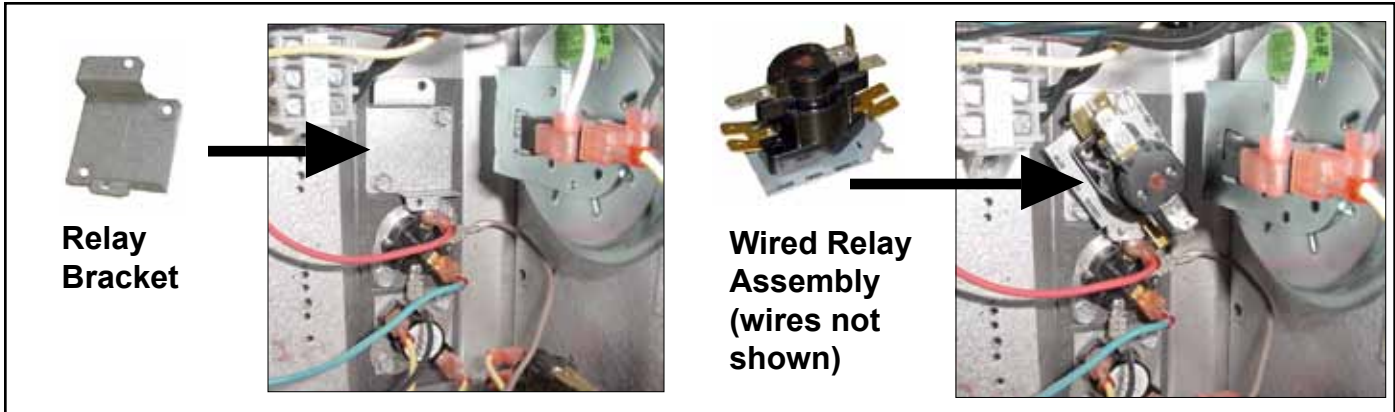
Installation Instructions (cont'd)

4. Install the Replacement Time Delay Relay (FIGURE 2)

In the same location as the removed control, position the relay mounting bracket over the hole. Orient the bracket so that the large tab is at the top and the small tab is towards the bottom and attach it using the two screws from the removed control.

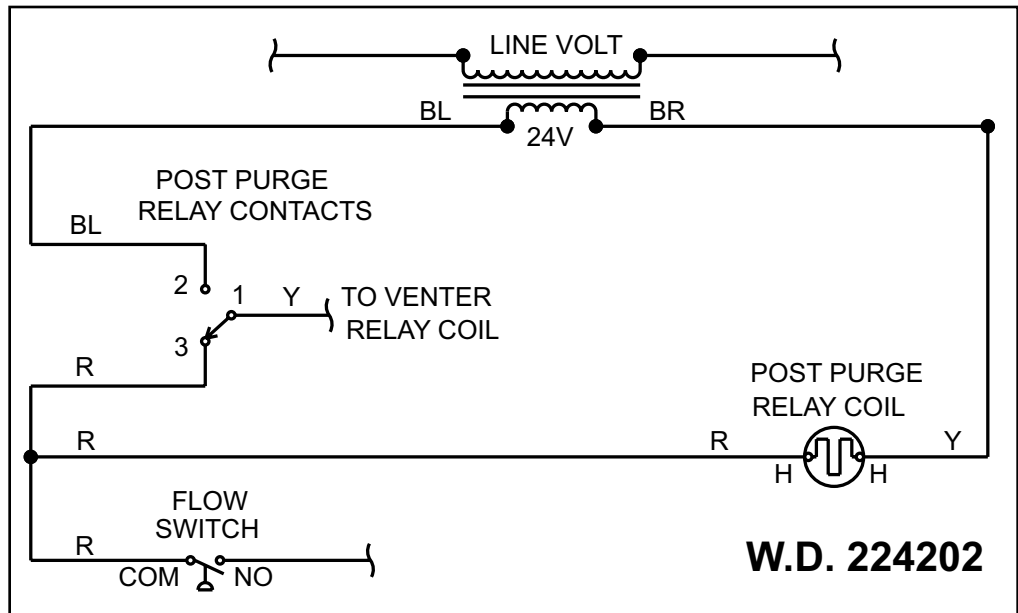
Use the screw from the kit to attach the replacement relay to the mounting bracket.

FIGURE 2 - Attach the Relay Bracket and the Replacement Relay



Connect the relay wires according to the wiring diagram in **FIGURE 3**.

FIGURE 3 - Wiring Diagram 224202



5. Close the electrical box cover (if provided) and install the control access panel.

6. Turn on the electric and the gas. Check the unit for proper operation.