

IMPORTANT

1. Always include complete heater model and serial number so that any specification change can be considered for parts shipment. It can save time and expense.
2. Check temperature setting on control being replaced.
3. We reserve the right to substitute functional replacements.
4. Specifications are subject to change without notice.

Replacement Parts/Service

**APPLIES TO: Functional Replacement
 Fan/Blower Controls and
 Limit Controls**

Table of Contents

SECTION 1 - Table 1, Functional Replacement Fan/Blower and/or Limit Controls for currently manufactured Models/Series 1
SECTION 2A - Table 2, Functional Replacement Fan/Blower & Limit Controls for no-longer-manufactured Models/Series..... 3
SECTION 2B - Installing Replacement Fan Control on Models (C)XL, (C)EEXL, (C)XLB, and (C)EEXLB 6
SECTION 2C - Installing Functional Replacement for Discontinued Fan Control, Relay Kit P/N 63254..... 7

SECTION 1

TABLE 1 - Functional Replacement Fan/Blower AND/OR Limit Controls by Heater Model Group listed alphabetically (applies to currently manufactured units)

Model	Size	Limit Control	Fan Control
ADF	All Sizes	122856 (130°F), auto, orange	None
		122858 (135°F), manual, pink	
		82414 (306°F), ECO Device	
ADFH	All Sizes	19080 (155°F), auto, yellow	None
		122990 (175°F), manual, tan	
		82414 (306°F), ECO Device	
B	25	45602 (180°F), auto, white	123975 (150°F)
	^A 50, 75, 100	^A 85449 (200°F), auto, yellow	
	125-400	100799 (150°F), auto, white	
^B ECO Limit Control for B	25-50	131449, (228°F)	
	75-400	131450, (306°F)	
CAUA	150, 200	148588 (270°F) w/60" capillary	None
		Flame Rollout Limit, 112752, (225°F)	
	250, 300	164792 (300°F) w/54" capillary	
		Flame Rollout Limit, 121275, (275°F)	
	350, 400	148588 (270°F) w/60" capillary	
		Flame Rollout Limit, 112752, (225°F)	
(H)EEDU	All	45602, (180°F), auto, white	147611
F	25	85449, (200°F), auto, yellow	123974 (135°F)
	50	85449, (200°F), auto, yellow	123976 (135°F)
	^A 75, 100	^A 85449, (200°F), auto, yellow	123976 (135°F)
	125	45602, (180°F), auto, white	123976 (135°F)
	130, 165	82091, (160°F), auto, red	123976 (135°F)
	200	85449, (200°F), auto, yellow	123974 (135°F)
	250, 300, 400	45602, (180°F), auto, white	123974 (135°F)
^B ECO Limit Control for F	25-50	131449, (228°F)	
	75-400	82414, (306°F)	
LDAP	400	Limit, 112753 (150°F), white	None
		Limit, 202048 (240°F), auto, silver	
	800	(2) Limit, 112753 (150°F), white	
		(2) Limit, 202048 (240°F), auto, silver	
	1200	(3) Limit, 112753 (150°F), white	
All	(3) Limit, 202048 (240°F), auto, silver		
OH	95	Linear Limit w/60" Capillary, 148588 (270°F), auto	
	140, 190	Fan & Limit Control Assembly, P/N 123977	
PDH/SDH/RDH	75-150	Fan & Limit Control Assembly, P/N 123973	
	175-225	40" Capillary, Auto Reset, P/N 210854 (190°F), yellow	None
	250-400	60" Capillary, Auto Reset, P/N 210855 (240°F), green	
	60" Capillary, Auto Reset, P/N 211066 (300°F), red		
PEH/REH	All	P/N 254754, Auto Reset, 3/4" disc	None
MAPS III RDCB, Rddb Gas Heat Section	100	P/N 258855 (240°F), 22" capillary, auto, white	None
	150-800	P/N 148588, 60" Capillary, Auto Reset, (270°F)	
	1000-1600	P/N 148588, 60" Capillary, Auto Reset, (270°F)	
		P/N 82414, ECO, 306°F	

(continued on page 2)

Footnotes for TABLE 1:
IMPORTANT: Always verify temperature setting of the original control.

^A Model B Sizes 50, 75, & 100 manufactured prior to 9/96 use limit control, P/N 45602 (180°F).

^B Models B and F with spark pilot manufactured after 9/99 (Serial No. Date Code AYJ) do not have an ECO limit control.

^C P/N 209184 is a relay kit to replace discontinued fan control P/N 10357. Kit includes instructions.

^D Furnace next to the blower.

^E Second furnace from the blower

^F Third furnace from the blower.

SECTION 1 (cont'd)

**TABLE 1 (cont'd) -
Functional
Replacement Fan/
Blower AND/OR
Limit Controls by
Heater Model Group
listed alphabetically
(applies to currently
manufactured units)**

**Footnotes for TABLE 1
(cont'd):**

IMPORTANT: Always verify temperature setting of the original control.

^c P/N **209184** is a relay kit to replace discontinued fan control P/N 10357. Kit includes instructions.

^d Furnace next to the blower.

^e Second furnace from the blower

^f Third furnace from the blower.

Model	Size	Limit Control	Fan Control
RDF	All	86979 (135°F) auto, pink	None
		82610 (150°F) Manual Limit	
		82414 (306°F) Flame Safety Limit	
MAPS III RECB, REDB Electric Heat Section	All	122856 , 3/4" disc, auto reset, orange label	None
(H)-RG, CRG, RP, CRP, HRPD, RPB, CRPB Series 8	All	50417 , (125°F), auto, white	^c 209184 Replacement Kit
(C)-RGLB, RPBL, PGBL and SSCBL manufactured beginning 12/96 (Serial No. Date Code AVL)	400	50418 , (145°F), auto, blue 60" Limit, 148588 , (270°F), auto	^c 209184 Replacement Kit
	500/600/ 700/800	^d 50418 , (145°F), auto, blue ^e 57953 , (170°F), auto, green	
		^e 60" Limit, 148588 , (270°F), auto	
	1050/ 1200	^d 50417 , (125°F), auto, white ^e 50418 , (145°F), auto, blue	
		^f 57953 , (170°F), auto, green	
		^f 60" Limit, 148588 , (270°F), auto	
	(H)-RX, CRX, RPV Series 8	All	
SC Series 6	All	50417 , (125°F), auto, white	^c 209184 Replacement Kit
ECO Limit Control for SC Series 6 (use 82414 prior to 12/99 - Serial No. Date Code AYL)	All	131450 (306°F)	
SHH	130, 180, 350	60" Capillary, Auto Reset, P/N 210855 (240°F), green	None
	260	60" Capillary, Auto Reset, P/N 148588 (270°F)	
	All	Vent Temperature Limit Switch, 221158 , opens 145°F, manual reset	
UDAP/UDAS/APD	30	High Limit, 96512 (220°F), auto, blue Flame Rollout Limit, 197033 , (210°F)	None
	45	High Limit, 96512 (220°F), auto, blue Flame Rollout Limit, 196949 , (225°F)	
	UDAP45-LN (with Opt AL2B)	Flame Rollout Limit, 85449 , (200°F)	
	60, 75	High Limit, 45602 (180°F), auto Flame Rollout Limit, 197033 , (210°F)	
		High Limit, 45602 (180°F), auto Flame Rollout Limit, 196950 (250°F)	
	100	High Limit, 85449 (200°F), auto, yellow Flame Rollout Limit, 196950 (250°F)	
	125	High Limit, 45602 (180°F), auto Flame Rollout Limit, 196950 (250°F)	
		High Limit, 45602 (180°F), auto	
	175	High Limit, 82091 (160°F), auto, red	
	200	High Limit, 45602 (180°F), auto	
	225	High Limit, 82091 (160°F), auto, red	
	250	High Limit, 45602 (180°F), auto	
	300	High Limit, 85449 (200°F), auto, yellow	
	350, 400	High Limit, 45602 (180°F), auto	
UDBP/UDBS	30	High Limit, 201961 (275°F), auto, green	None
	45	High Limit, 96512 (220°F), auto, blue	
	60, 75	High Limit, 85449 (200°F), auto, yellow	
	100	High Limit, 96512 (220°F), auto, blue	
	125	High Limit, 201961 (275°F), auto, green	
	150	High Limit, 45602 (180°F), auto	
	175, 200	High Limit, 202048 (240°F), auto, silver	
	225, 250	High Limit, 45602 (180°F), auto	
	300	High Limit, 201962 (250°F), auto, orange	
	350	High Limit, 202048 (240°F), auto, silver	
400	High Limit, 85449 (200°F), auto, yellow		
UEAS	130, 180	High Limit, 45602 (180°F), auto	
	260	High Limit, 85449 (200°F), auto, yellow	
	310	High Limit, 45602 (180°F), auto	
	All	Vent Temperature Limit Switch, 221158 , opens 145°F, manual reset	
(H)-X, CX, XE, CXE Series 8	All	50417 , (125°F), auto, white	^c 209184 Replacement Kit

SECTION 2A

TABLE 2: Functional Replacement Fan/Blower and/or Limit Controls by Heater Model - Applies to: NO-LONGER-MANUFACTURED UNITS listed alphabetically by Model group) - See NOTES page 5.

IMPORTANT: Depending on usage and availability, replacement parts listed in **TABLE 2** may not be available. If part is no longer available from the manufacturer and/or no longer used for current product, replacement part will not be available when inventory as of 2/2010 is depleted.

Model	Size	Fan Control	Replaces	Limit Control	Replaces
AEUH	3 KW	Time Delay Relay, P/N 46382 , for 120 volt only; P/N 46386 for all other voltages		45534 (120°F), auto, white	
	5KW			45535 (140°F), auto, white	
	7 KW			45536 (170°F), auto, white	
	10 KW			45537 (210°F), auto, white	
	12 KW			45538 (230°F), auto, white	
AHCA, AHDA Heat Section	100-250	None		50417 (125°F), auto, white	
	300			Heat Section closest to blower, 50418 , (145°F), auto, blue	
	350			Discharge Heat Section, 57953 (170°F)	
	400-700			50417 (125°F)	
				Heat Section closest to blower, 50418 , (145°F), auto, blue	
All	Discharge Heat Section, 57953 (170°F)				
	All	Linear Limit w/60" Capillary, 148588 (270°F), auto			
^A AFA	All except 4660; mfgd 1950-51 only	^A 63254 Replacement Kit	892, 1472	1473 (555°F)	893
BE	25-100	123975 (150°F)	100857	45602 (180°F), auto, white	
	125-400			100799 (150°F), auto, white	
^B ECO Limit Control for BE	25-50			131449 (228°F)	96513
	75-400			131450 (306°F)	82414
CRPV Series 5 and 6	All	^C 209184 Replacement Kit	10357	50417 (125°F), auto, white	
DFAH, PDFAH prior to Series 6	All	^C 209184 Replacement Kit	10357	50418 (145°F), auto, blue	
DFAH, DFAV	All	None		(2) 163133 (180°F), manual	
				121275 (275°F), ECO Device	
DV	109-122	None		161437 (190°F), manual, 24"	
	125			161433 (205°F), manual, 24"	
	All Sizes			82414 (306°F), ECO Device	
EUH	All	Time Delay Relay, P/N 40994		(2) 50417 (125°F), auto, white	
EEXL	30-400	^D 147676 (135°F)	48706 (150°F), 63555 (150°F), 93629 (150°F)	45602 (180°F), auto, white	
CEEXL	30, 200-250				
EEXLB	30, 45, 125-400	^D 147677 (150°F)	93629 (150°F)	85449 (200°F), auto, yellow	
CEEXLB	30-105, 300-400				
CEEXL	45-170, 300-400	^D 147676 (135°F)	93629 (150°F)	82091 (160°F), auto, red	
EEXLB	60-105				
CEEXLB	125-250	^D 147677 (150°F)	93631 (170°F)	85449 (200°F), auto, yellow	
FE	25				
	50	123976 (135°F)	85449 (200°F), auto, yellow		
	75, 100, 125	123976 (135°F)	45602 (180°F), auto, white		
	130, 165	123976 (135°F)	82091 (160°F), auto, red		
	200	123974 (135°F)	85449 (200°F), auto, yellow		
	250, 300, 400	123974 (135°F)	45602 (180°F), auto, white		
^B ECO Limit Control for FE	25-50			131449 (228°F)	
	75-400			82414 (306°F)	
^A FM	All; 1952-3/55 only	^A 63254 Replacement Kit	892, 1472	1473	893
FT	30	None		High Limit, 45602 (180°F)	
	45			Flame Rollout Limit, 121275 , (275°F)	
				High Limit, 45602 (180°F)	
	60			Flame Rollout Limit, 112752 , (225°F)	
				High Limit, 45602 (180°F)	
	75			Flame Rollout Limit, 121275 , (275°F)	
	100-200			High Limit, 45602 (180°F)	
250-300	High Limit, 155764 (220°F)	96512			
	Fan Back Limit, 100799 (150°F)				
OB	95	Fan & Limit Control Assembly, P/N 123977			120679
	140, 190	Fan & Limit Control Assembly, P/N 123973			104837

(continued on page 4)

SECTION 2A (cont'd)

TABLE 2 (cont'd) - Functional Replacement Fan/Blower and/or Limit Controls by Heater Model
 (applies to **NO-LONGER-MANUFACTURED UNITS** listed alphabetically by Model group)

Model	Size	Fan Control	Replaces	Limit Control	Replaces	
OUH, OUB, OUE, ROUE	95, 140, 185, 200	Combination Fan & Limit, M/H #L4064-1592-4, P/N 36559				
(C)-PAK, RPAK, RPVAK Series 6	1	° 209184	10357	50417 (125°F), auto, white		
	2			° 50417 (125°F), auto, white		
	3			° 57953 (170°F), auto, green		
				° 50417 (125°F), auto, white		
				° 19080 (155°F), auto, yellow		
(C)-PAK, RPAK, RPVAK prior to Series 6	1	° 209184	10357	50418 (145°F), auto, white		
2	° 50417 (125°F), auto, white					
3	° 57953 (170°F), auto, green					
	° 50417 (125°F), auto, white					
	° 19080 (155°F), auto, yellow					
PCCA, PCDA Heat Section	100-250	None		50417 (125°F), auto, white		
	300			Heat Section closest to blower, 50418 (145°F), auto, blue		
	350			Discharge Heat Section, 57953 (170°F)		
	400-700			° 50417 , (125°F)		
				Heat Section closest to blower, 50418 (145°F), auto, blue		
	100-700			Discharge Heat Section, 57953 (170°F)		
PV, PVA, PVB, PVE	All	° 209184	10357	50418 (145°F), auto, blue		
MAPS II RDCA, RDDA Gas Heat Section	100	None		Linear Limit w/66" Capillary, 201741 (240°F), auto		
	150-700			Linear Limit w/60" Capillary, 148588 (270°F), auto		
MAPS II RECA, REDA Electric Heat Section	All	None		Auto Reset Limit Control, 122856 , orange		
RCG 7-1/2 and 10 Ton	All mfgd prior to 1994	° 209184	10357	50417 (125°F), auto, white	11305, 12936, 26303	
RGB, CRGB	All	° 209184	10357	50417 , (125°F), auto, white		
(C)-RGLB, RPBL manufactured prior to 12/96 (last Serial No. Date Code AVK)	400	° 209184	10357	50417 , (125°F), auto, white	11305	
	500/600/ 700/800			° 57953 , (170°F), auto, green	12937	
	1050/1200			° 19080 , (155°F), auto, yellow	57952	
	All			° 57953 , (170°F), auto, green	12937	
RP, HRPD with Option BU12	All	° 209184	10357	196571 , (140°F), auto, green		
(H)-RX, CRX, REB, CREB, RPV, CRPV, RPVE, RPBE Series 6 and 7; (H)-CRPV Series 5 and 6	All	° 209184	10357	50417 (125°F), auto, white		
(C), (H), (HC) - RX, REB, RXE, RXJ, RXG, RXR, RPV, RPBE, RPVE, RPVJ prior to Series 6 (except (H)-CRPV-5)	All	° 209184	10357	50418 (145°F), auto, blue		
SC Series 3 and 5	All	° 209184	10357	50417 (125°F), auto, white		
SC prior to Series 3; SCA, SCB, SCD, SCE, HSC prior to Series 5 and Series 5	All	° 209184	10357	50418 (145°F), auto, blue	11305, 15183	
ECO Limit Control for SCA, SCB, SCE Series 6 prior to 12/99 (Serial No. Date Code AYL)	All			82414 (306°F)		
SFT	45-75	None		High Limit, 45602 (180°F)		
				Flame Rollout Limit, 157282 (180°F)		
	100-200			High Limit, 155764 (220°F)		96512
	250-300			High Limit, 155765 (200°F)		85449
UA; UB	All; Mfgd prior to 1994	° 209184	10357	50417 (125°F), auto, white	11305, 12936, 26303	
^A US-F, LUS-F	25 - 200; mfgd 1950-1956 only	^A 63254 Replacement Kit	1472, 892	1473 (555°F), auto	893	
(H)-X, CX, XE, CXE Series 6 and 7	All	° 209184	10357	50417 , (125°F), auto, white		
ECO Limit Control for (H) - X, CX, XE, CXE with standing pilot and with spark pilot prior to 12/99 (Serial No. Date Code AYL)	All			131450 (306°F)		

Model	Size	Fan Control	Replaces	Limit Control	Replaces
(H), (C), (HC) - X, XE prior to Series 6	All	^c 209184	10357	50418 (145°F), auto, blue	
XA, XB, XC, XD, XJ, XR	All	^c 209184	10357	50418 (145°F), auto, blue	
XL	30-400	^d 147676 (135°F)	48706 (150°F), 63555 (150°F), 93629 (150°F)	45602 (180°F), auto	
CXL	140-400			45602 (180°F), auto	
XLB	30, 45	^d 147677 (150°F)		45602 (180°F), auto	
CXLB	30-105	^d 147676 (135°F)		85449 (200°F)	
CXL	30-105			82091 (160°F)	
XLB	60-105, 300-400	^d 147677 (150°F)		45602 (180°F)	
CXLB	300-400	^d 147677 (150°F)		85449 (200°F)	
XLB, CXLB	200-225			45602 (180°F)	
XLB, CXLB	125-170			85449 (200°F)	
XLB, CXLB	250			82091 (160°F)	
ECO Limit Control for XL, CXL, XLB, CXLB - Starting 4/83 (Serial No. AID)	All Sizes; Standing Pilot only			82414 (306°F)	

NOTES for TABLE 2:

IMPORTANT: Always verify temperature setting of the original control.

^A For installing functional replacement Fan Relay Kit, P/N 63254, follow the instructions on page 7. NOTE: When inventory of components in relay kit are depleted, replacement will no longer be available.

^B Models FE and BE and Models B and F with spark pilot manufactured after 9/99 (Serial No. Date Code AYJ) do not have an ECO limit control.

^C P/N 209184 is a relay kit to replace discontinued fan control P/N 10357. Kit includes instructions.

^D Replacement kit with spring-loaded fan control assembly. To install, follow the instructions on page 6.

^E Furnace next to the blower.

^F Second furnace from the blower

^G Third furnace from the blower.

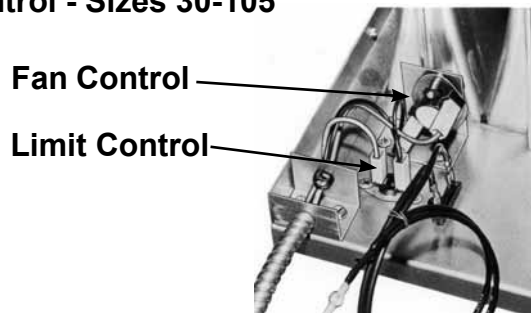
**SECTION 2B -
Installing
Replacement Fan
Control on Models
(C)XL, (C)EEXL,
(C)XLB, and
(C)EEXLB**

1. Turn off the gas and the electric.
2. Disconnect and remove the defective fan control. If the fan control is on a spring-loaded bracket as illustrated in the photos, remove the entire bracket assembly. Earlier models have the fan control seated directly on the heat exchanger base; remove the fan control only.
3. Refer to the instructions and illustration below that apply to the Size of heater being serviced. Follow the instructions.
4. Re-connect the fan control wires and re-assemble the heater.
5. Light the heater and check for proper operation.

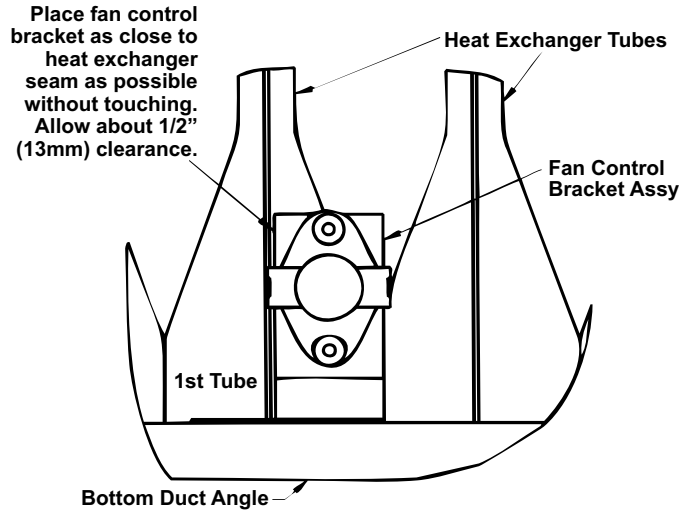
Instructions for Sizes 30-105

Locate the replacement fan control bracket assembly at the **first heat exchanger tube**. Position to the right of the tube seam as illustrated. Attach with the screws in the kit. It is important that the spring action of the fan control bracket allow the fan control to contact the heat exchanger tube.

Location of Original Equipment Fan Control - Sizes 30-105



Fan Control Position - Sizes 30-105

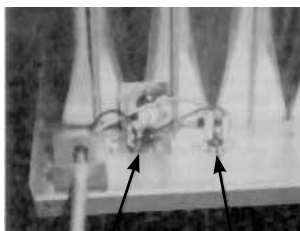


NOTE: If the fan control that was removed did not include a bracket; use the left hole and drill a #20 hole to attach the bracket. Be certain the fan control will be positioned as illustrated.

Instructions for Sizes 125-400

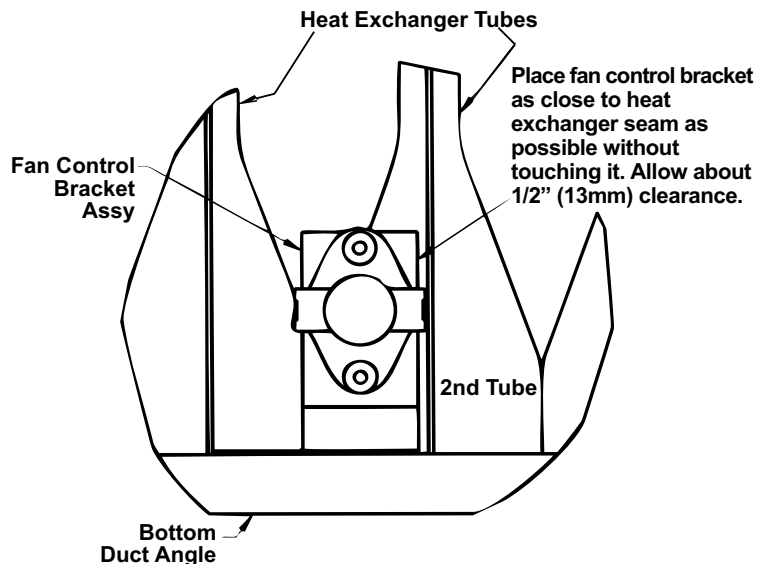
Locate the replacement fan control bracket assembly at the **second heat exchanger tube**. Position to the left of the tube seam as illustrated. Attach with the screws in the kit. It is important that the spring action of the fan control bracket allow the fan control to contact the heat exchanger tube.

Location of Original Equipment Fan Control - Sizes 125-400



Fan Control Limit Control

Fan Control Position - Sizes 125-400



NOTE: If the fan control that was removed did not include a bracket; use the left hole and drill a #20 hole to attach the bracket. Be certain the fan control will be positioned as illustrated.

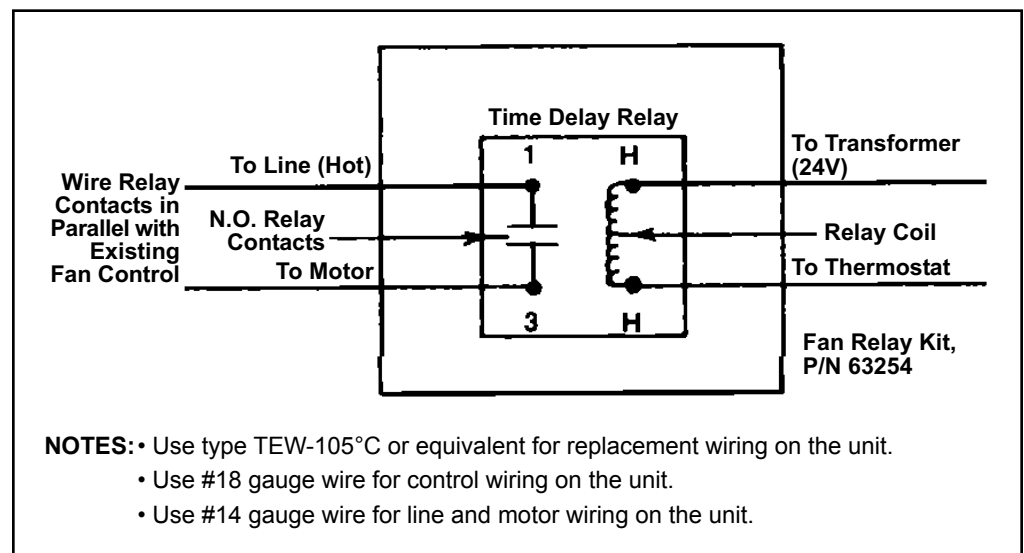
**SECTION 2C -
Functional
Replacement for
Discontinued Fan
Control, Relay Kit
P/N 63254**

A fan relay kit (P/N 63254) may be used to replace the discontinued fan control on **Models LUS/F, FM, and AFA** units equipped with **24 volt controls**. This fan relay kit may also be used, if desired, on Models XA, XB, XL, XLB.

Components:		
Qty	P/N	Description
2	42924	Red Wire Assembly, 18 ga x 6" with terminal
1	40750	Black Wire Assembly, 18 ga x 15" with terminal
1	40749	White Wire Assembly, 18 ga x 15" with terminal
1	52887	Time Delay Fan Relay, Thermodisc 12522
1	10159	Outlet Box 4"x4" x 2-1/8" DP
1	16221	Conduit Nipple, Kinray 2639
2	16222	1/2" Lockout T&B #141
1	3397	Rubber Grommet
1	1849	"U" Nut, Tinnerman #C7392-10Z
1	11813	#10x1/2" long Sheetmetal Screws
1	17320	4" x 4" Cover
2	16354	Wire Nut

Instructions for Installing Time Delay Fan Relay

- 1) Turn off gas supply and electric.
- 2) Use the conduit nipple and locknut to attach the pre-wired 4x4 box to the electrical outlet box on the unit.
- 3) Wire as illustrated below.
- 4) Turn on the electric and gas supply.
- 5) Refer to Operating Sequence below and verify proper operation.



Operating Sequence

- 1) Follow lighting instructions and establish pilot.
- 2) Turn on power energizing control transformer in series with limit control.
- 3) Thermostat calls for heat, energizing the gas valve and time delay fan relay.
- 4) Fan control senses heat exchanger temperature, energizing the fan motor.
- 5) When the thermostat is satisfied, the gas valve is de-energized, shutting off the gas supply to the main burner.
- 6) When the unit has cooled, the fan control opens, shutting off the fan motor.

Specifications & illustrations subject to change without notice and without incurring obligations.

© Nortek Global HVAC, LLC 2015. All rights reserved.

All marks are the property of their respective organizations.

O'Fallon, MO | Printed in U.S.A.(10-15)

D300523 Form P-FAN&LIMIT (10-15), P/N 147678R6