



## REPLACEMENT PARTS LIST

PACKAGED GAS HEATING/ELECTRIC COOLING

R7TQ SERIES

6-, 7.5-, AND 10-TON, 81% STEADY STATE EFFICIENCY



### IMPORTANT

- This document is primarily intended to assist qualified individuals experienced in the proper repair or servicing of this appliance. Only factory authorized parts or accessory kits may be used with this product. Improper installation, service, adjustment, or maintenance may cause explosion, fire, electrical shock or other hazardous conditions which may result in personal injury or property damage.
- Some local codes require licensed installation / service personnel to service this type of equipment. Under no circumstances should the equipment owner attempt to install parts or service this equipment. Failure to comply with this warning could result in property damage, personal injury, or death.

**MAIN CABINET ASSEMBLY COMPONENTS—SEE FIGURE 1**

ITEM NO.	DESCRIPTION		PN		
			R7TQ072	R7TQ090	R7TQ120
1	COIL, OUTDOOR	UNCOATED	1010935R	1006462R	1010933R
		TCP COATED	1011083R	1011081R	1011082R
2	COIL, INDOOR, STAGE 1		1010934R	1006464R	1006464R
3	COIL, INDOOR, STAGE 2		—	1006463R	1006463R
4	EVAPORATOR DRAIN PAN		1006391R		
5	CONDENSATE FLOAT SENSOR (OPTIONAL)		1011107R		
6	COMPRESSOR	208/230V, 3PH	920365	—	—
		460V, 3PH	920364	—	—
		575V, 3PH	RZ261239	—	—
		208/230V, 3PH (QTY 2)	—	920332	—
		460V, 3PH (QTY 2)	—	920333	—
		575V, 3PH (QTY 2)	—	RZ262815	—
		208/230V, 3PH (QTY 2)	—	—	1007267R
		460V, 3PH (QTY 2)	—	—	1007268R
575V, 3PH (QTY 2)	—	—	1007269R		
7	THERMOSTATIC EXPANSION VALVE, STAGE 1		1012808R	1010928R	1010926R
8	THERMOSTATIC EXPANSION VALVE, STAGE 2		—	1010929R	1010927R
9	FILTER DRYER		669780R		
10	BLOWER ACCESS DOOR		1005661R		
11	CONTROL ACCESS DOOR, RIGHT		1012033R		
12	CONTROL ACCESS DOOR, LEFT		1012032R		
13	COMPRESSOR ACCESS COVER		1005754R		
14	COMPRESSOR COMPARTMENT ACCESS COVER HANDLE		RZ262742		
15	GAS SECTION COVER		1005756R		
16	FILTER ACCESS DOOR		1005672R		
17	SLAM LATCH		RZ271797		
18	CONDENSER TOP PAN		1005743R		
19	CORNER POST, REAR		1005737R		
20	CORNER POST, FRONT		1005742R		
21	SUPPLY CONNECTION COVER, HORIZONTAL		1005674R		
22	RETURN CONNECTION COVER, HORIZONTAL		1005673R		
23	INTAKE AIR COVER, ECONOMIZER		1005903R		
24	DISCHARGE AIR COVER, ECONOMIZER		1005904R		
25	SLIDER BRACKET, OUTDOOR COIL		1005738R		
26	UTILITY CHASE		1005759R		
27	ACCESS COVER, HEAT EXCHANGER (NOT SHOWN)		1005120R		
28	BLOWER MOTOR	2HP, 208/230V	1007611R		
		2HP, 460V	1007612R		
		2HP, 575V	1006472R		
		3HP ECM, 208/230V (OPTIONAL)	1010930R		
		3HP ECM, 460V (OPTIONAL)	1010936R		
29	ECM MOTOR DRIVE	208/230V (OPTIONAL)	1010931R		
		460V (OPTIONAL)	1010937R		
30	ADJUSTABLE MOTOR MOUNT		667367R		
31	BLOWER ASSEMBLY (CONTAINS: WHEEL, HOUSING, SHAFT, KEY, BEARINGS)		667284R	667285R	
32	BLOWER COMPARTMENT COVER		1005744R		

**MAIN CABINET ASSEMBLY COMPONENTS—SEE FIGURE 1—CONTINUED**

ITEM NO.	DESCRIPTION	PN		
		R7TQ072	R7TQ090	R7TQ120
33	CONDENSER FAN MOTOR	1/4HP, 208/230V (QTY 2)	1006480R	—
		1/4HP, 460V (QTY 2)	1006481R	—
		1/4HP, 575V (QTY 2)	1006482R	—
		1/3HP, 208/230V (QTY 2)	—	622252R
		1/3HP, 460V (QTY 2)	—	622253R
		1/3HP, 575V (QTY 2)	—	1006471R
34	CONDENSER FAN BLADE (QTY 2)	667359R	667364R	
35	CONDENSER FAN GRILLE (QTY 2)	669335R		
36	CONDENSER FAN SHROUD (QTY 2)	295481R		
37	VENT TERMINAL KIT	1013191		
38	ACCESS COMPARTMENT DOOR HINGE (QTY 4)	RZ271796		
39	CONTROL COMPARTMENT DOOR HINGE (QTY 4)	RZ210029		
40	CONTROL COMPARTMENT DOOR LATCH (QTY 2)	RZ204469		
41	CONTROL COMPARTMENT DOOR LATCH PULL (QTY 2)	RZ204470		
<b>COMPONENTS BELOW ARE NOT SHOWN</b>				
—	CRANKCASE HEATER	240V/40W	1011116R	
		480V/40W	1011117R	
		575V/40W	1011118R	
—	COMPRESSOR GROMMET	668530R		
—	BLOWER ACCESS DOOR GASKET	1013188R		
—	CONTROL ACCESS DOOR GASKET	1013189R		
—	FILTER ACCESS DOOR GASKET	1013188R		
—	SUPPORT, OUTDOOR COIL (DISTRIBUTOR)	1012046R		
—	SUPPORT, OUTDOOR COIL (COIL)	1012047R		
—	AIR FILTER	20 × 20 × 2, STANDARD	1006483R	
		20 × 20 × 2, PLEATED MERV 4 (OPTIONAL)	1006470R	
		20 × 20 × 2, PLEATED MERV 8 (OPTIONAL)	RZ104111	
—	BLOWER WHEEL PULLEY	BK70 × 1"	667405R	
		BK77 × 1" (OPTIONAL)	667299R	
		BK60 × 1" (OPTIONAL)	1011993R	
—	BLOWER MOTOR PULLEY	1VP40 × 7/8"	667290R	
		BK45 × 7/8" (OPTIONAL)	1011448R	
—	DRIVE BELT	RZ092224		
—	BLOWER SHAFT	618057R		
—	TEMPERATURE SENSOR-CONDENSER (OPTIONAL FOR ITEM 59)	RZ261042		
—	SWITCH, HIGH PRESSURE	1011108R		

CONTROL COMPARTMENT COMPONENTS—SEE FIGURE 2					
ITEM NO.	DESCRIPTION		PN		
			R7TQ072	R7TQ090	R7TQ120
42	GROUNDING LUG		631431R		
43	TERMINAL BLOCK, 3-POLE		632348R		
44	TERMINAL BLOCK, LOW VOLTAGE		632696R		
45	TERMINAL BLOCK, THERMOSTAT		63247R		
46	CONTACTOR, CONDENSER FAN, 2-POLE, 25A		624830R		
47	CONTACTOR, BLOWER MOTOR, 3-POLE, 25A (QTY 1 OR 2)		RZ216386		
48	CONTACTOR, COMPRESSOR, 3-POLE, 30A (QTY 2)		621832R		
49	RELAY SOCKET, CR2–CR7		RZ211415		
50	RELAY SOCKET, CR1		RZ211800		
51	RELAY, CR2–CR6, 24V		RZ211411		
52	RELAY, CR7, 220/240V		RZ211414		
53	RELAY, CR1, SMOKE DETECTOR (OPTIONAL)		RZ211799		
54	STEP DOWN TRANSFORMER, 350VA, 460V/575V (OPTIONAL)		RZ210863		
55	24V TRANSFORMER	208/230/460, 90VA	622247R		
		575V, 85VA	1011124R		
56	GFCI RECEPTACLE (OPTIONAL)		632413R		
57	GAS CONTROL BOARD		RZ195573		
58	CONTROL COMPARTMENT DOOR STAY ROD		669413R		
59	LOW AMBIENT CONTROL (COND FAN SPEED CONTROL, OPTIONAL)		1006086R		
60	CAPACITOR, VENTER MOTOR	5 $\mu$ f, 370V	01-0021		
61	CAPACITOR, COND FAN	5 $\mu$ f, 440V - 460/575V UNITS	01-0061		
		7.5 $\mu$ f, 370V - 208/230V UNITS	01-0023		

HEAT SECTION COMPONENTS—SEE FIGURE 3					
ITEM NO.	DESCRIPTION		PN		
			R7TQ072	R7TQ090	R7TQ120
62	HEAT EXCHANGER KIT, COMPLETE	H100, ALUMINIZED	1013196	—	
		H166, ALUMINIZED	1013197		
		H200, ALUMINIZED	—	1013198	
		H225, ALUMINIZED	—	1013198	
		H100, 409 SS (OPTIONAL)	1013199	—	
		H166, 409 SS (OPTIONAL)	1013200		
		H200, 409 SS (OPTIONAL)	—	1013201	
		H225, 409 SS (OPTIONAL)	—	1013201	
63	AIR BAFFLE	H100	1013202	—	
		H166	1013203		
		H200/H225	—	1013204	
64	TUBE SUPPORT ROD		1005563R		
65	LIMIT SWITCH, FLAME ROLLOUT, MANUAL RESET - 250°F		626610R		
66	LIMIT SWITCH, BLOWER DECK, AUTOMATIC RESET - 170°F		RZ272748		
67	GAS MANIFOLD	H100, 2 PORT	1006237R	—	
		H166, 4 PORT	1006238R		
		H200/H225, 5 PORT	—	1006215R	

**HEAT SECTION COMPONENTS—SEE FIGURE 3—CONTINUED**

ITEM NO.	DESCRIPTION	PN		
		R7TQ072	R7TQ090	R7TQ120
68	GAS ORIFICE (QTY 2-5)	H100, #30	RZ273344	—
		H166 & H200, #31	RZ273345	
		H225, 1/8"	—	661118R
69	INSHOT BURNER (QTY 2-5)	661117R		
70	SPARK IGNITOR	632323R		
71	FLAME SENSOR	632322R		
72	VENTER MOTOR	RZ236162		
73	VENTER MOTOR COOLING FAN	RZ196035		
74	VENTER MOTOR ISOLATOR (QTY 3)	RZ194534		
75	VENTER MOTOR MOUNTING PLATE	RZ194910		
76	VENTER WHEEL	RZ195666		
77	VENTER HOUSING	RZ257029		
78	VENTER HOUSING GASKET	RZ254935		
79	GAS VALVE	H100 & H166	624787R	
		H200 & H225	—	RZ197067
—	GAS PRESSURE SWITCH (NOT SHOWN)	0.80" W.C. - GRAY	RZ197078	—
		1.10" W.C. - DARK BLUE	—	RZ201158
—	SPARK IGNITOR CABLE (NOT SHOWN)	632611R		

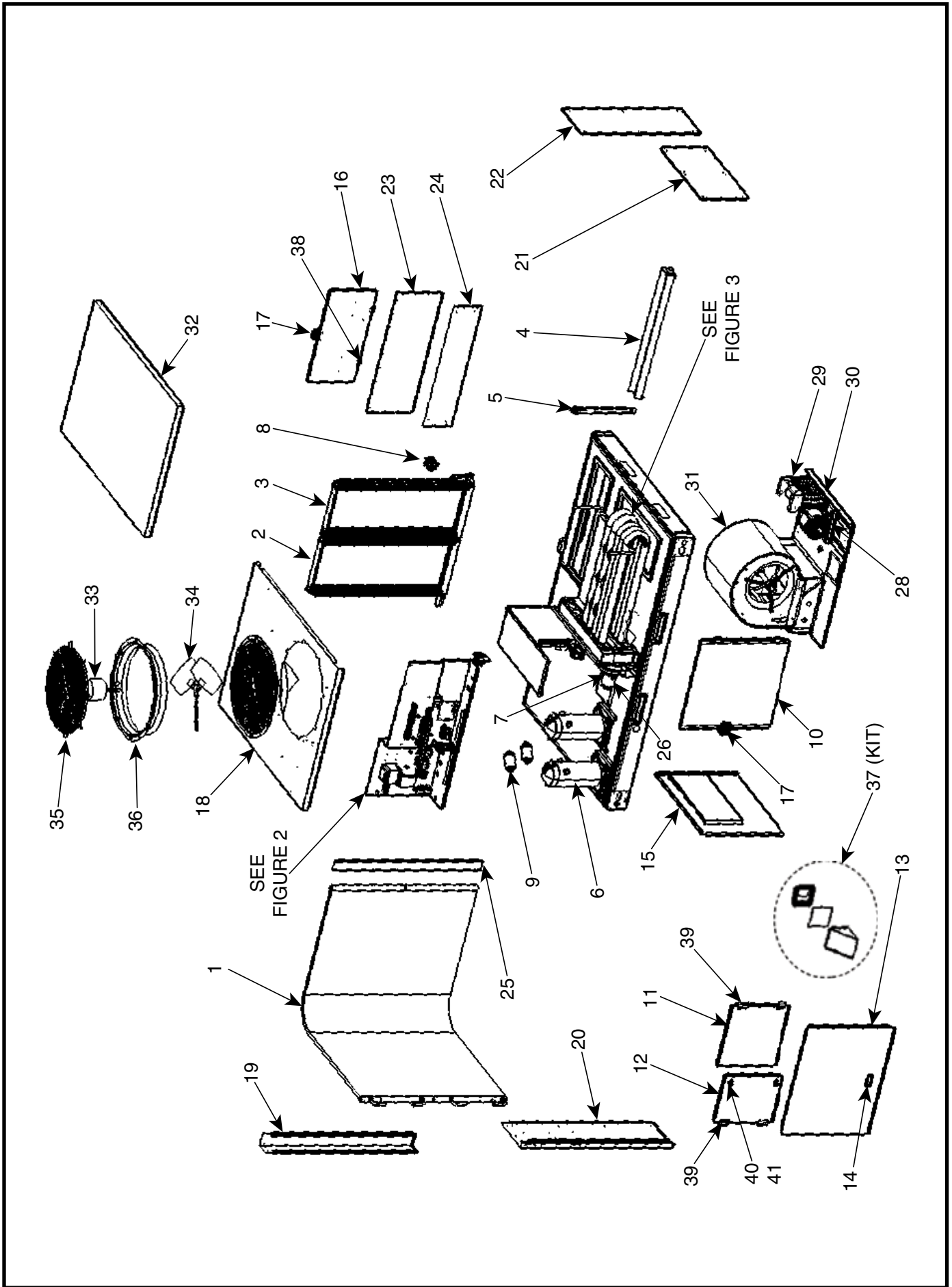
**ECONOMIZER COMPONENTS—SEE FIGURE 4**

ITEM NO.	DESCRIPTION	PN		
		R7TQ072	R7TQ090	R7TQ120
80	ECONOMIZER INTAKE HOOD KIT - DOWNFLOW (OPTIONAL)	1013251		
81	ECONOMIZER EXHAUST HOOD KIT - DOWNFLOW (OPTIONAL)	1013252		
82	ECONOMIZER CONTROL (OPTIONAL)	626621R		
83	TEMPERATURE SENSOR - MIXED AIR (OPTIONAL)	626623R		
84	TEMPERATURE SENSOR - OUTDOOR AIR (OPTIONAL)	626622R		
85	TEMPERATURE SENSOR - RETURN AIR (OPTIONAL)	626623R		
86	OUTDOOR AIR DAMPER W/MODULATING ACTUATOR (OPTIONAL)	1006475R		
87	BAROMETRIC RELIEF DAMPER KIT - DOWNFLOW (OPTIONAL)	1013190		
88	PERM ALUM FILTER 16 × 20 × 1 (QTY 2 ) (OPTIONAL)	RZ101607		
89	PERM ALUM FILTER 20 × 20 × 1 (QTY 2 ) (OPTIONAL)	RZ101608		

**MANUALS**

ITEM NO.	DESCRIPTION	PN
90	OPERATION MANUAL	1011480R
91	INSTALLATION MANUAL	1011481R

FIELD-INSTALLED OPTIONS					
ITEM NO.	DESCRIPTION		PN		
			R7TQ072	R7TQ090	R7TQ120
1	8" CURB		1011391		
2	14" CURB		1011388		
3	18" CURB		1011389		
4	24" CURB		1011390		
5	CONVENIENCE OUTLET		1011383		
6	MANUAL OUTDOOR AIR DAMPER		1011416		
7	POWERED OUTDOOR AIR DAMPER		1011417		
8	ECONOMIZER, DOWNFLOW, WITH ENTHALPY CONTROLLER		1011418		
9	DIFFERENTIAL ENTHALPY CONTROL		1011701		
10	RA MOUNTED CO2 SENSOR		1011410		
11	WALL MOUNTED CO2 SENSOR		1011411		
12	SMOKE DETECTOR		1011404		
13	SAMPLING TUBES, 2-4FT		1011405		
14	SAMPLING TUBE, 4-8 FT		1011406		
15	FILTER UPGRADE TO MERV 8		1011407		
16	CONDENSATE FLOAT SAFETY SWITCH		1011396		
17	LOW AMBIENT CONTROL (COND FAN CYCLING)		1011408	1011409	
18	LOW PRESSURE SWITCH		1011412	1011413	
19	FREEZESTAT		1011414	1011415	
20	FLUE EXHAUST EXTENSION		1011384		
21	LP CONVERSATION KIT (<9K FT ELEVATION, HX 100, 225) (<6K FT ELEVATION, HX 225)		1011435		
22	LP CONVERSATION KIT (<10K FT ELEVATION, HX 166 200) (7K-10K FT ELEVATION, HX 225)		—	1011436	
23	NATURAL GAS, HIGH ALTITUDE CONVERSATION (<9K FT ELEVATION, HX100) (<6K FT ELEVATION, HX166, 200) (<6K FT ELEVATION, HX225)		1011437		
24	NATURAL GAS, HIGH ALTITUDE CONVERSATION (≥10K FT ELEVATION, HX100) (7K-10K FT ELEVATION, HX166, 200, 225)		1011438		
25	MESH HAIL GUARD		1011385	1011386	1011387
26	BACNET THERMOSTAT		1011394		
27	LONWORKS THERMOSTAT		1011394		
28	BURGLAR BARS		1011382		
29	HIGH STATIC DRIVE, UP TO 1" WC	208/230V	1011996	1011379	
		460V	1011996	1011380	
		575V	1011996		
30	FUSIBLE DISCONNECT SWITCH, 60-AMP, 600-VOLT, USA		1011400		
31	FUSIBLE DISCONNECT SWITCH, 60-AMP, 240-VOLT, USA		1011397		
32	FUSIBLE DISCONNECT SWITCH, 60-AMP, 600-VOLT, CANADA		1011402		
33	HOODED HAIL GUARD		1006379		
34	POWER EXHAUST KIT	208/230/460V	1013192	1013194	
		575V	1013193	1013195	
35	3 PHASE VOLTAGE MONITOR	208/230/460 VOLT	1020547		
		575 VOLT	1020548		



**FIGURE 1. MAIN CABINET ASSEMBLY COMPONENTS**

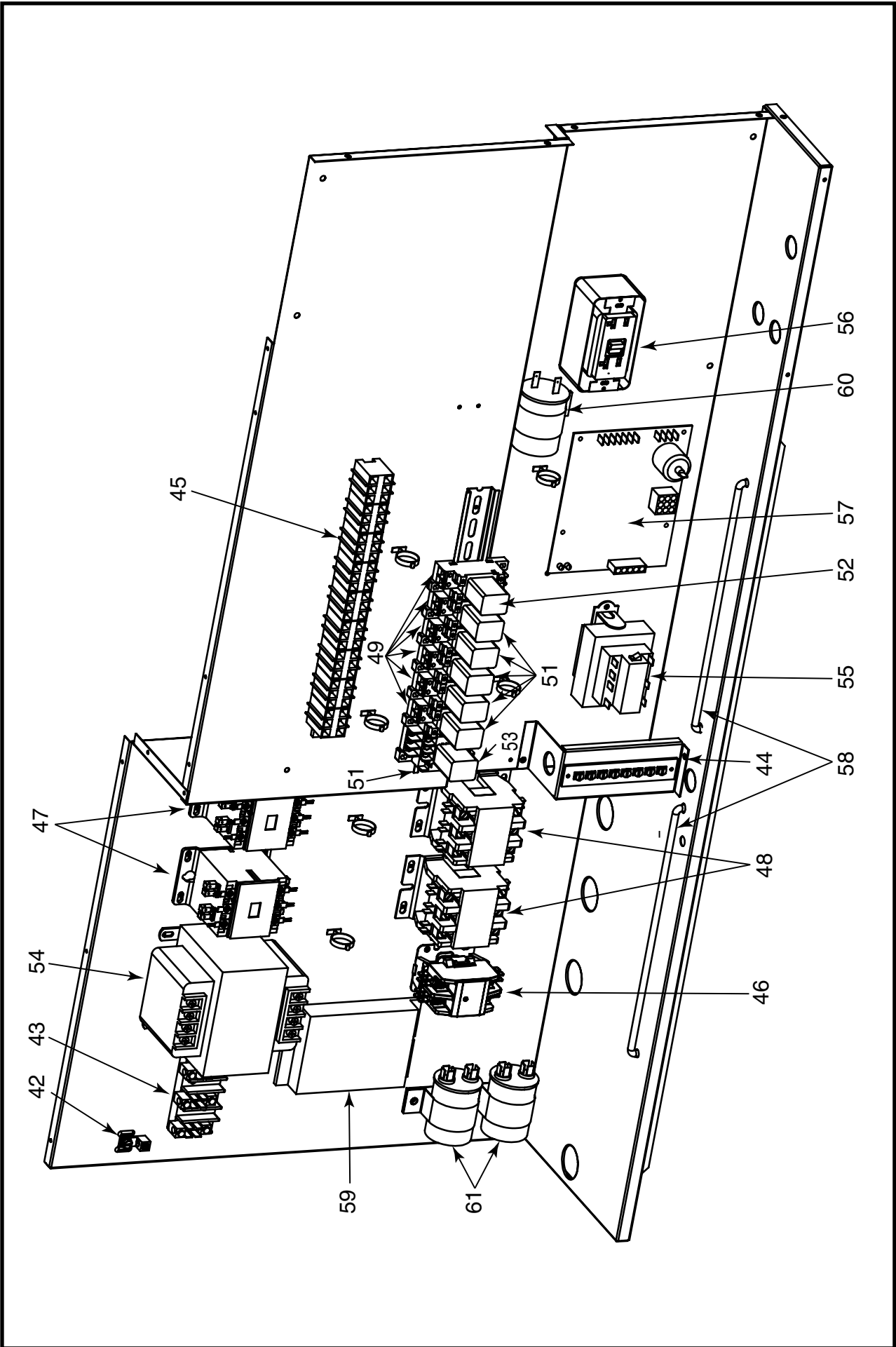


FIGURE 2. CONTROL COMPARTMENT COMPONENTS



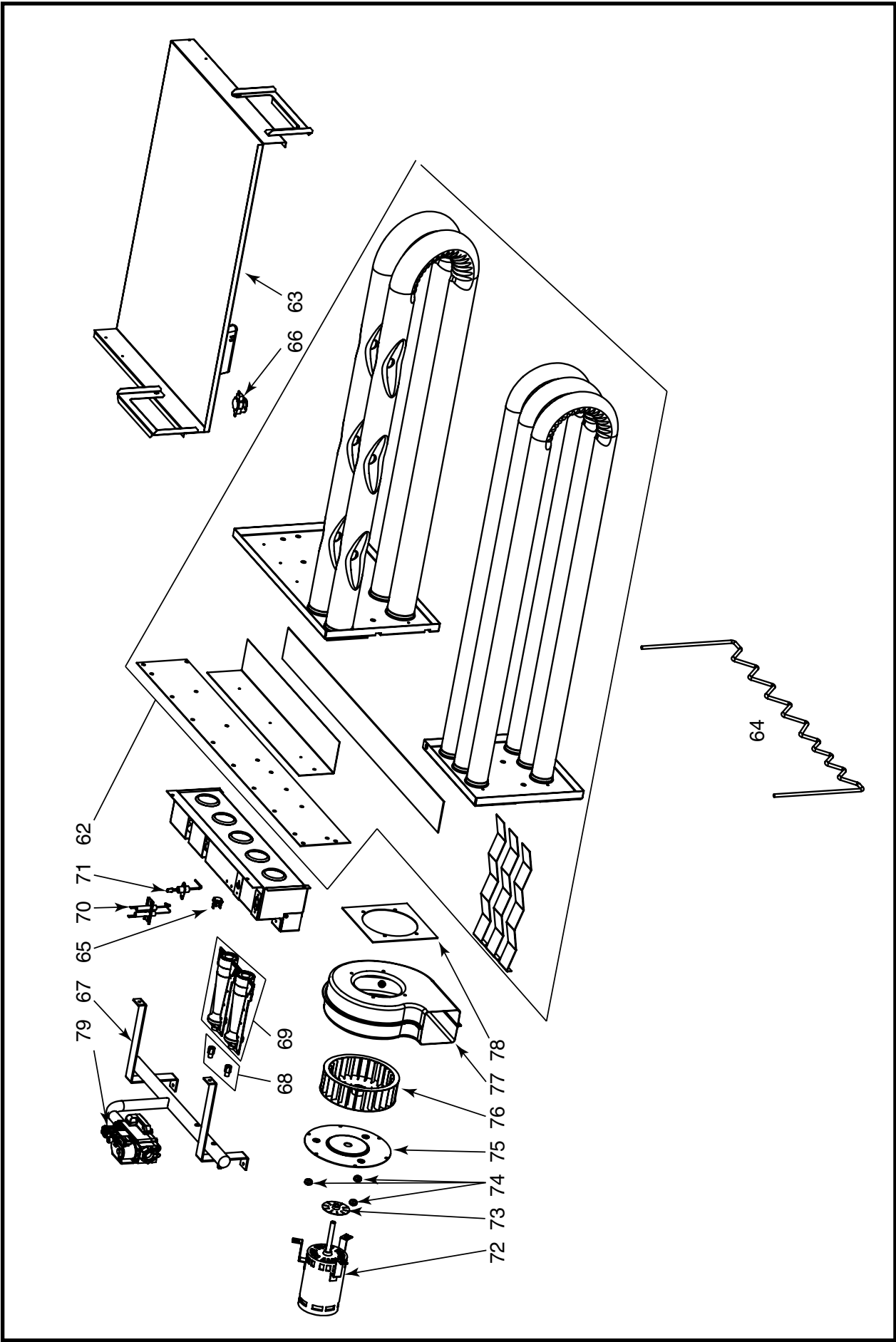
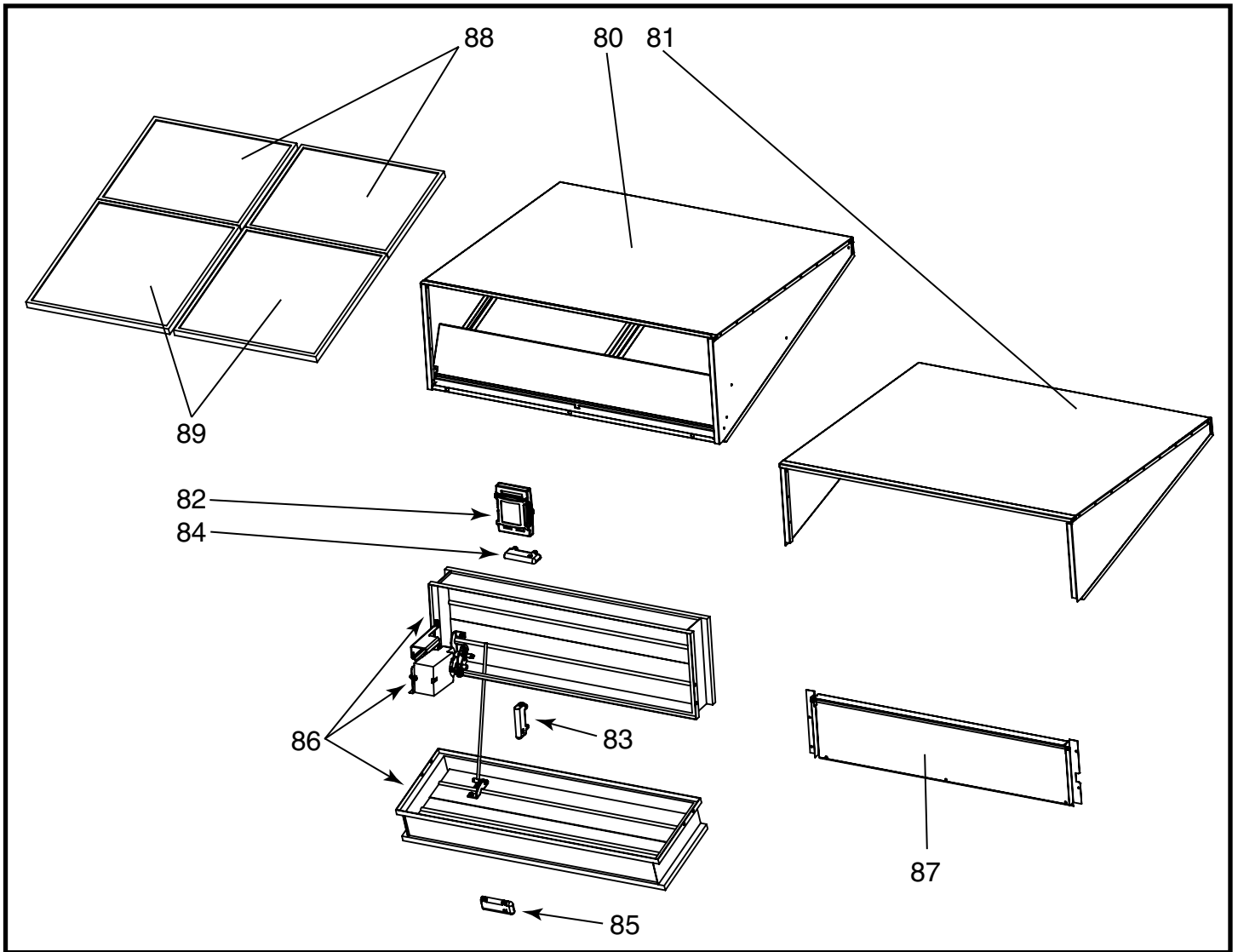


FIGURE 3. HEAT SECTION COMPONENTS



**FIGURE 4. ECONOMIZER COMPONENTS**