

**WARNING: Improper installation, adjustment, alteration, service or maintenance can cause property damage, injury or death. Read the installation, operation, and maintenance instructions thoroughly before installing or servicing this equipment.**

**REZNOR®**

## Option Description

The optional summer/winter switch is designed to provide manual control of blower operation.

The option package includes:

OPTION CH1 Manual Summer/Winter Blower Switch	B and BE 25-400	
	Qty	P/N
Option Package P/N		<b>101679</b>
Summer/Winter Switch, McGill #TS-71-6A	1	3745
Relay	1	18549
Plastic Dart Fasteners	2	101798
Black Wire Assembly, 14 gauge x 8" long	2	101677
Purple Wire Assembly, 18 gauge x 18" long	1	101554
Purple Wire Assembly, 18 gauge x 8" long	1	101553
Brown Wire Assembly, 18 gauge x 18" long	1	101676
Wire Nut 73B, Ideal #3-0253	2	16354
Wire Nut 74B, Ideal #3-0274	1	16355
Plastic Strap Ty-Rap #Ty B24M	1	20913
Open/Closed Bushing, Heyco #OCB-500 (required for units with lower horizontal partition; not required on units with cable holders - See Figure 1)	1	98117

## Installation Instructions

Installation should be done by a qualified agency in accordance with these instructions and in compliance with all codes and requirements of authorities having jurisdiction.

1. If the heater is installed, turn off the gas and turn off the electrical power.
2. Remove the outer side panel on the left side of the heater (left when facing the back of the heater), exposing the inner side panel and wiring.
3. On the rear edge of the inner side panel, locate a 1/2" diameter hole ( See Figure 1). Insert the chain and the front of the switch through the hole. Arrange the knurled nut as shown in Figure 1 and tighten firmly by hand.
4. On the vertical partition of the inner side panel, locate the pre-punched holes for mounting the relay. See Figure 1. Hold the relay in place and attach it with two plastic fasteners.

**NOTE:** On units equipped for use with 460/3/60 power supply, the relay is not used.

5. Wire the summer/winter switch and relay as shown on the specific wiring diagram included with your heater or refer to the general diagrams on the reverse side of this sheet. Check the supply voltage of your heater and choose the appropriate general diagram.
6. Replace the heater side panel.

# OPTION CH1 MANUAL SUMMER/WINTER BLOWER SWITCH

INSTALLATION FORM RZ/NA I-B-SW  
Obsoletes Form RGM 434/436-SWB (Version .2)

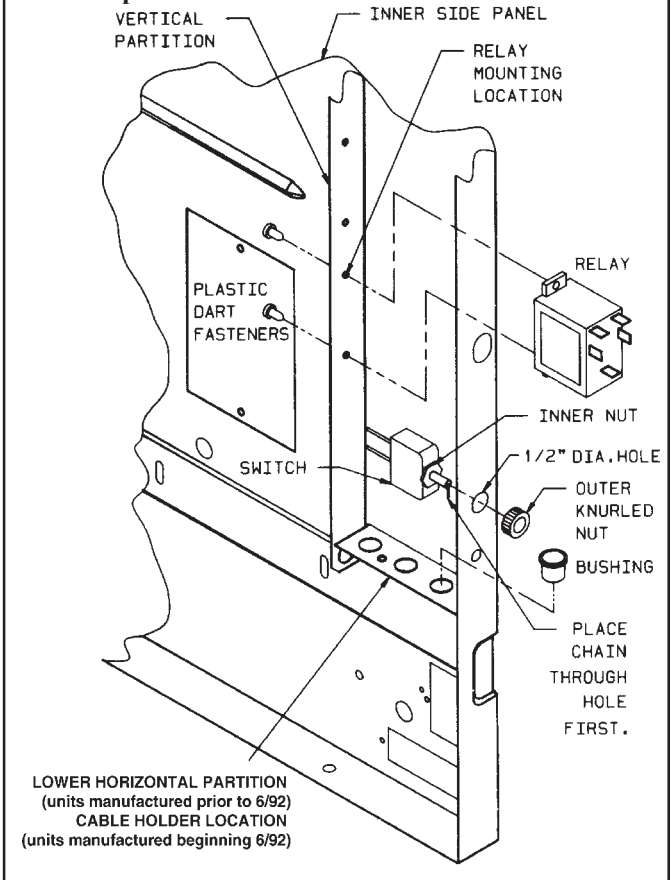
APPLIES TO:

Models B and BE

7. Install the pull cord on the summer/winter switch.
8. If the heater is installed, turn on the electric power and the gas and re-light, following the instructions on the heater. Check the operation of the summer/winter switch. **CHECK FOR PROPER OPERATION OF ALL SAFETY FEATURES.**

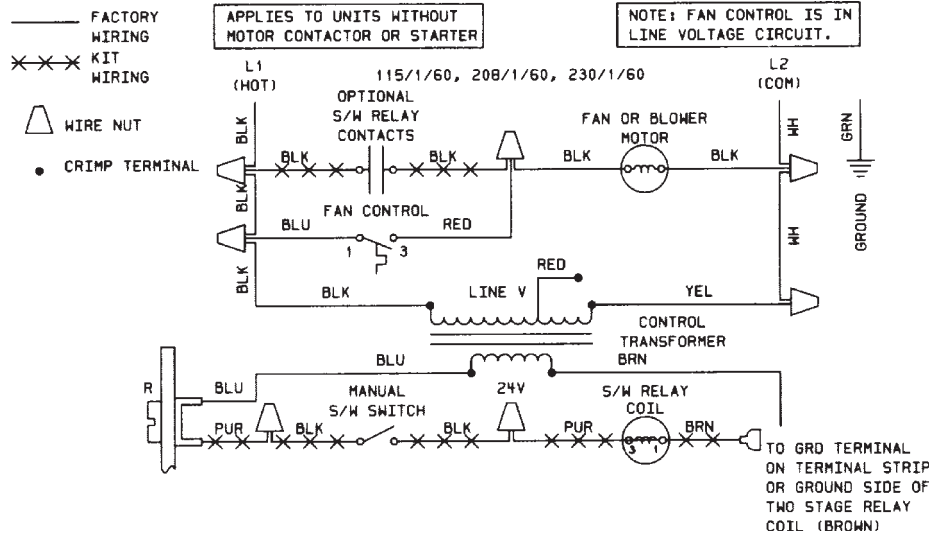
If the heater is not installed, be sure to support the bottom with plywood or other appropriate material. Follow the installation instructions provided with the heater and check for proper operation of the summer/winter switch.

**Figure 1 - Installation of Summer/Winter Switch for Blower Operation**

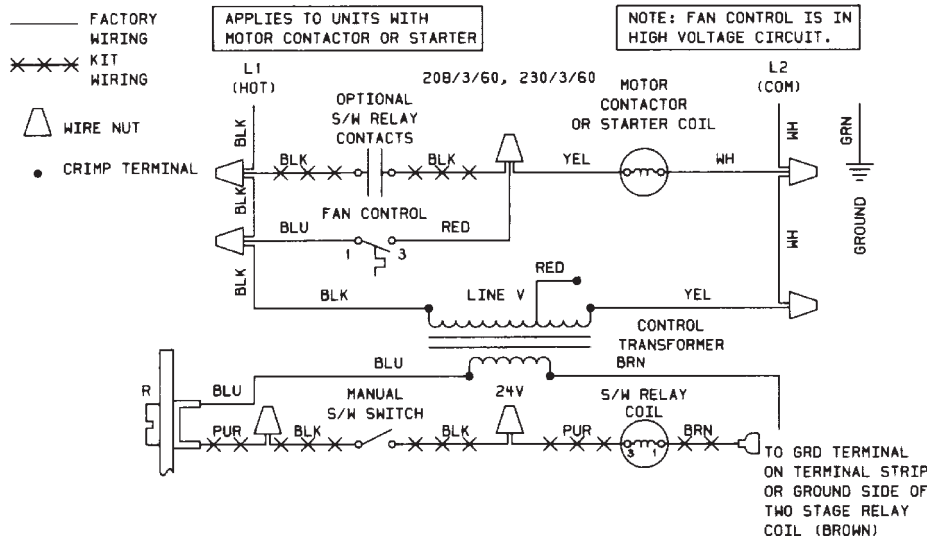


**Figure 2 - Summer/Winter Switch Installed**

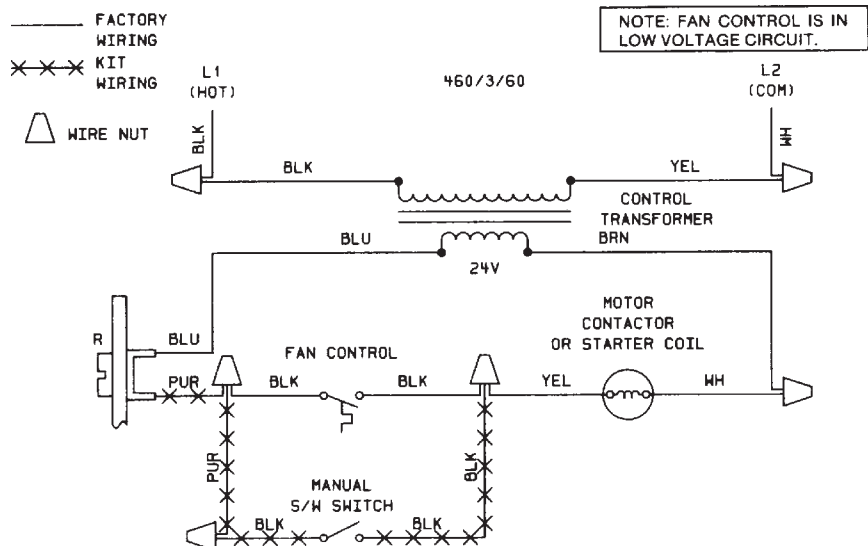
**Wiring Diagram - Option CH1,  
Manual Summer/Winter Switch  
for Models B and BE, 115/1/60,  
208/1/60, or 230/1/60**



**Wiring Diagram - Option CH1,  
Manual Summer/Winter Switch  
for Models B and BE, 208/3/60 or  
230/3/60**



**Wiring Diagram - Option CH1,  
Manual Summer/Winter Switch  
for Models B and BE, 460/3/60**



www.ReznorHVAC.com; (800) 695-1901

©2015 Reznor LLC, All rights reserved.

Trademark Note: Reznor® is registered in at least the United States.

04/15 Form I-B-SW (Version 2)