

HAZARD INTENSITY LEVELS

- DANGER:** Failure to comply will result in severe personal injury or death and/or property damage.
- WARNING:** Failure to comply could result in severe personal injury or death and/or property damage.
- CAUTION:** Failure to comply could result in minor personal injury and/or property damage.

REZNOR®

DESCRIPTION

Option	Description	Option Pkg P/N
CL21	Relay	98497
CL17	One-Stage Thermostat with Relay	98474
CL18	Two-Stage Thermostat with Relay	98494
CL19	Air Recirculation Kit	98495
CL20	Air Recirculation Kit with Summer Fan/Blower Switch	98496

Option CL21 Relay

Option CL21 relay must be installed for automatic fan or blower control through the thermostat. Option CL21 includes the relay and the required electrical connections for installation; it does not include the thermostat.

Option CL21 Relay, Option Package (P/N 98497) includes:

Item	Qty	P/N	Description
1	1	98118	RBM Relay
2	2	101798	Plastic Dart Fastener
3	1	96511	4-Screw Terminal Strip Connector
4	2	97023	Black Wire Assembly, 14 gauge x 8" long
5	1	97478	Brown Wire Assembly, 18 gauge x 18" long
6	1	98125	Purple Wire Assembly, 18 gauge x 18" long
7	1	98117	Open/Closed Bushing (See NOTE, Figure 1)

Thermostat Options

In addition to the thermostat, Thermostat Options CL17, 18, 19 and 20 include the following components:

Option	CL17	CL18	CL19	CL20
Same Components by Item No. as in Option CL21 above	Items 1-7 (all)	Items 1-6	Items 1-7 (all)	Items 1-7 (all)
Additional Component Terminal Jumper, P/N 123942	N/A	1	N/A	1

Install the thermostat according to the manufacturer's instructions. Make wiring connections according to the wiring diagram illustrations in Figure 4 on the reverse side of this sheet. Follow the instructions below for installing the relay.

INSTALLATION AND WIRING INSTRUCTIONS FOR OPTIONAL RELAY

Installation should be done by a qualified agency in accordance with the instructions on this sheet and in compliance with all codes and requirements of authorities having jurisdiction.

- If the heater is installed, turn off the gas and the electric power.**
- Remove the outer panel on the left side of the heater (left when facing the back of the heater), exposing the inner side panel and wiring.
- Attach the Relay** -- On the vertical partition of the inner side panel, locate the pre-punched holes for mounting the relay (See Figure 1).

OPTION CL21 Relay OPTIONS CL17, CL18, CL19 & CL20 Thermostats

INSTALLATION FORM RZ-NA-I-F/B-R
Obsoletes Form 434/436-R (Version A)

APPLIES TO: Models F, FE, B, and BE

WARNING: Improper installation, adjustment, alteration, service, or maintenance can cause property damage, injury or death. Read the installation, operation, and maintenance instructions thoroughly before installing or servicing this equipment.

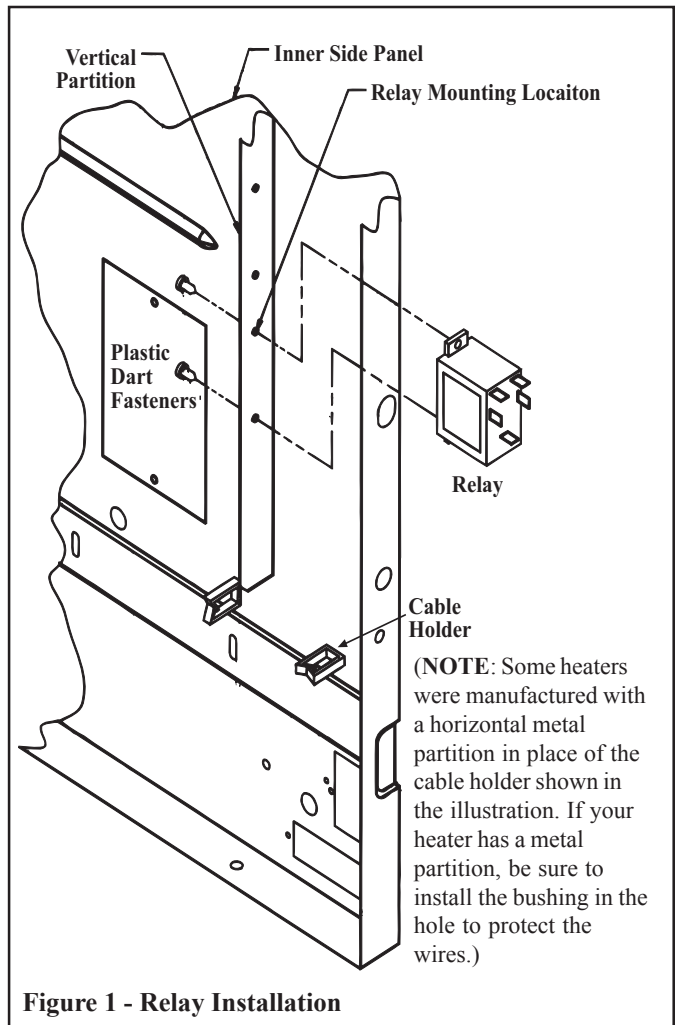


Figure 1 - Relay Installation

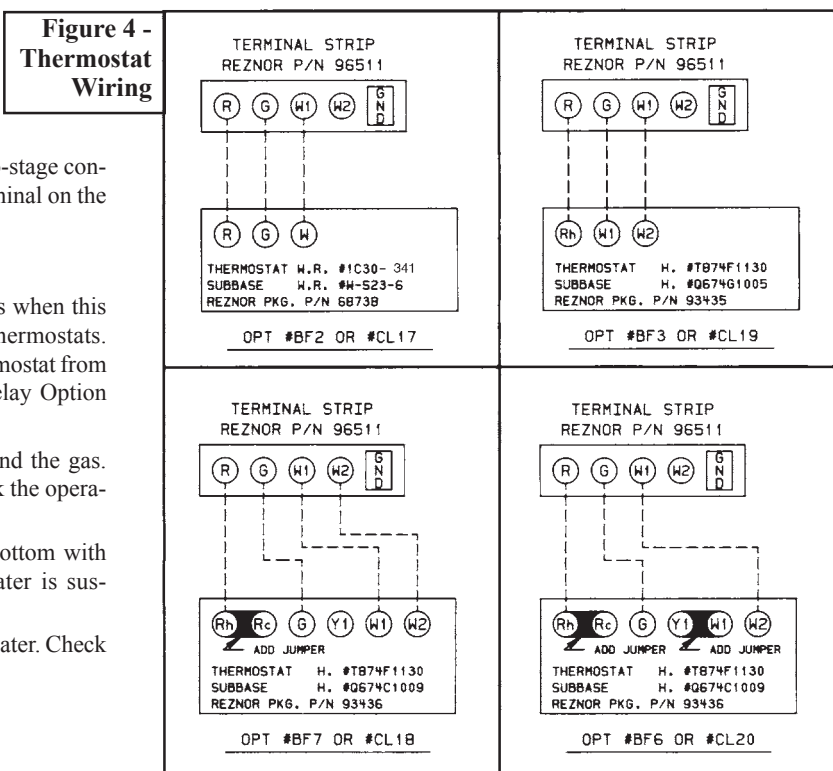
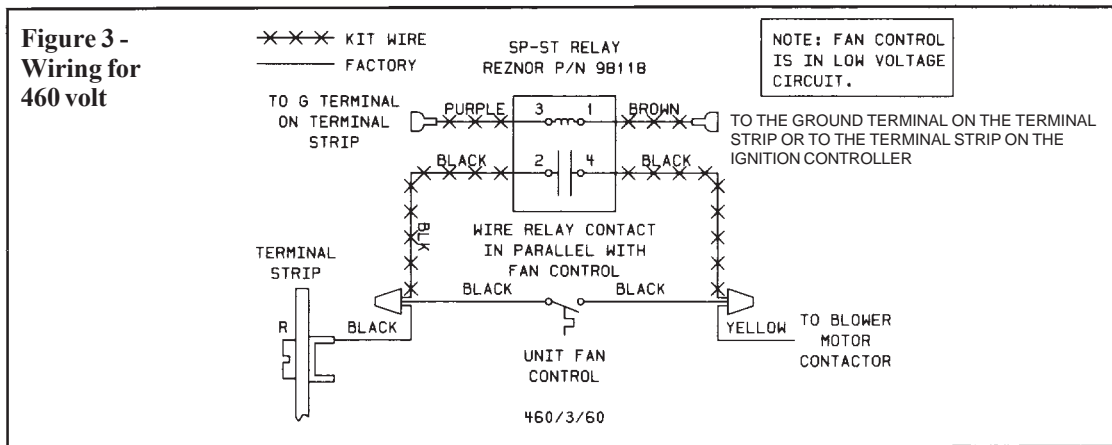
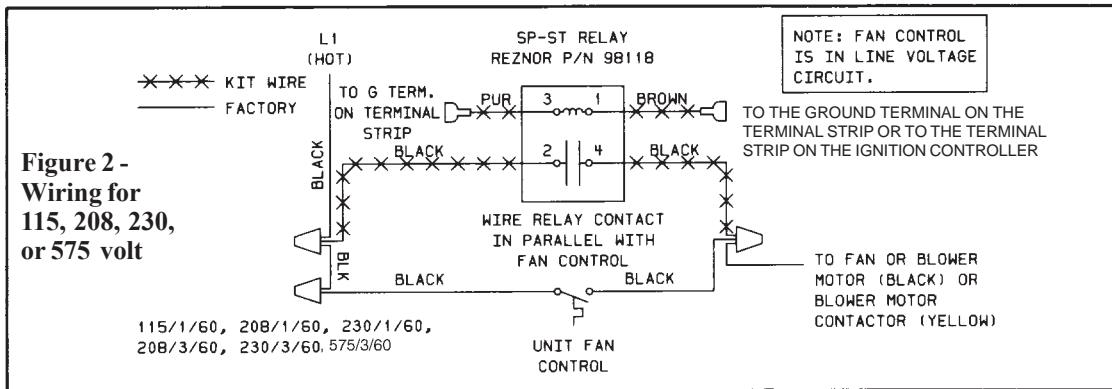
Hold the relay in line with the holes and attach it with the two plastic fasteners.

INSTALLATION NOTE: If the relay is not installed in the correct location, the relay wiring length will be incorrect.

- 4. Install the 4-Screw Terminal Strip** -- If the heater is equipped with a two-screw terminal strip, it must be replaced with the four-screw terminal strip in the option package. Mark all wires and disconnect them from the terminal strip.

5. Check the supply voltage of your heater and choose the appropriate wiring diagram.
 - **Figure 2 for 115, 208, 230, or 575 volt.**
 - **Figure 3 for 460 volt.**

Route the purple wire and the brown wire through the cable holders. (If the heater has a metal horizontal partition in place of a cable holder, route the wires through the vacant hole and insert the open/closed bushing in the hole.)



INSTALLATION NOTE: On heaters equipped with two-stage controls, the brown wire must be connected to the ground terminal on the terminal strip or on the ignition controller.

6. Replace the heater side panel.
7. The diagrams in Figure 4 illustrate wiring connections when this relay is used in conjunction with Reznor optional thermostats. Follow these connection diagrams whether using a thermostat from Reznor or a field-supplied equivalent thermostat. (Relay Option CL21 does not include a thermostat.)
8. If the heater is installed, turn on the electric power and the gas. Relight following the instructions on the heater. Check the operation of the controls.
If the heater is not installed, be sure to support the bottom with plywood or other appropriate material when the heater is suspended.
 Follow the installation instructions provided with the heater. Check for proper operation of the controls.