

**WARNING:** Improper installation, adjustment, alteration, service, or maintenance can cause property damage, injury or death. Read the installation, operation, and maintenance instructions thoroughly before installing or servicing this equipment.

**REZNOR®**

## Horizontal/Vertical Vent Outlet

INSTALLATION FORM I-F/B125-HV  
Obsoletes RGM 434-HV125

Applies to: **Models F125 and B125**

Model F and B 125 unit heaters require field assembly of the vent outlet. Using 17, #10 x 1/2" sheetmetal screws (16 in the plastic bag and the two screws used to hold the vent outlet pieces in place during shipping), carefully follow the illustrated instructions on page 2 to assemble the vent outlet.

**DANGER:** Failure to provide proper venting could result in death, serious injury, and /or property damage. The unit must be installed with a vent connection and proper vent to the outside of the building. Follow the instructions on page 2 and the venting instructions in the installation manual.

# SEE PAGE 2

**! CAUTION:**  
THIS HEATER  
REQUIRES ASSEMBLY  
OF FLUE OUTLET.  
REFER TO  
INSTRUCTIONS ON  
THIS SHEET.

**! CAUTION:**  
THIS HEATER  
REQUIRES ASSEMBLY  
OF FLUE OUTLET.  
REFER TO  
INSTRUCTIONS ON  
THIS SHEET.

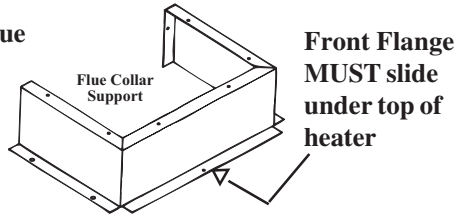
## ASSEMBLY INSTRUCTIONS FOR VENT OUTLET -- Models F 125 and B 125

These instructions and illustrations show the vent outlet being assembled in the horizontal position. To assemble the vent outlet in the vertical position, follow the instructions reversing the positions of the flue collar assembly (Step 3) and the cover (Step 4).

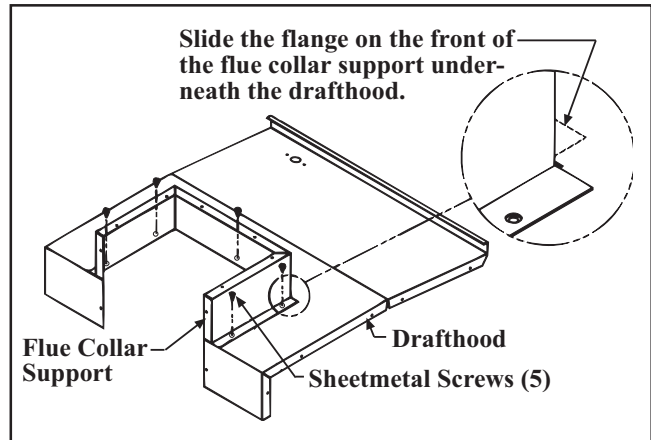
1. Remove the two center screws (one on each side) that are holding the three flue outlet pieces in place during shipping. Use these screws and the 16 screws (#10x1/2" sheetmetal screws) in the plastic bag.

The three pieces are:	P/N
Flue Collar Support	131992
Flue Collar Assembly	132765
Cover	132764

### 2. Attach the Flue Collar Support

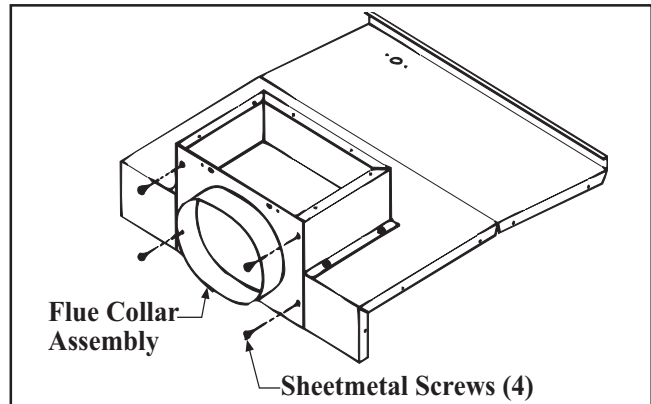
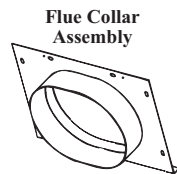


- Position the support with the opening toward the back of the heater.
- Slide the flange on the front of the flue collar support **under** the draft hood (top of the heater).
- Fasten with five sheetmetal screws.



### 3. Attach the Flue Collar Assembly

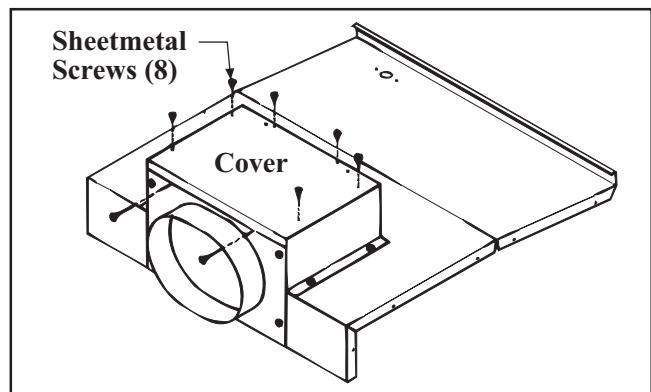
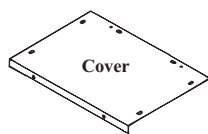
- Position the flue collar assembly over the rear opening.
- Fasten with four sheetmetal screws.



**Installation NOTE:** For vertical vent outlet, reverse the positions of the flue collar assembly (Step 3) and the cover (Step 4).

### 4. Attach the Cover

- Position the flat cover.
- Fasten on the top and back with eight sheetmetal screws.



5. Installation of the vent outlet is complete. When the outlet is in the horizontal position, it is recommended that a 12-18" piece of straight pipe be connected to the flue pipe before installing an elbow. Follow the instructions in the installation manual for venting the heater.

# REZNOR®

Form I-F/B125-HV, P/N 132794 (Rev 2), Page 2

(800) 695-1901, [www.RezSpec.com](http://www.RezSpec.com)

©2014 Reznor, LLC. All rights reserved.

Printed in the U.S.A.

Trademark Note: Reznor® is registered in the United States and other countries.

0514 OG POD Form I-F/B125-HV (Version 0.1)