

WARNING: Improper installation, adjustment, alteration, service, or maintenance can cause property damage, injury or death. Read the installation, operation, and maintenance instructions thoroughly before installing or servicing this equipment.

REZNOR®

HORIZONTAL/VERTICAL VENT OUTLET

Installation Form RZ-NA I-F/B250/300/400-HV
Obsoletes Form 434-HV (Version 1)

Applies to: Model F 250, 300, and 400 and
Model B 250, 300, and 400

Model F and B 250, 300, and 400 unit heaters require field assembly of the vent outlet. Using the 26 , #10 x 1/2 sheetmetal screws (24 in the plastic bag and the two screws used to hold the flue outlet pieces in place during shipping), carefully follow the illustrated instructions on page 2 to assemble the outlet vent.

DANGER: Failure to provide proper venting could result in death, serious injury, and/or property damage. The unit must be installed with a vent connection and proper vent to the outside of the building. Follow the instructions on page 2 and the venting instructions in the installation manual.

SEE PAGE 2

! CAUTION:
THIS HEATER
REQUIRES ASSEMBLY
OF FLUE OUTLET.
REFER TO
INSTRUCTIONS ON
THIS SHEET.

! CAUTION:
THIS HEATER
REQUIRES ASSEMBLY
OF FLUE OUTLET.
REFER TO
INSTRUCTIONS ON
THIS SHEET.

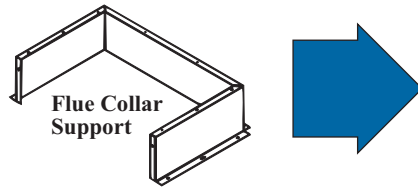
ASSEMBLY INSTRUCTIONS FOR VENT OUTLET -- Models F and B 250, 300, and 400

These instructions and illustrations show the vent outlet being assembled in the horizontal position. To assemble the vent outlet in the vertical position, follow the instructions reversing the positions of the flue collar assembly (Step 3) and the cover (Step 4).

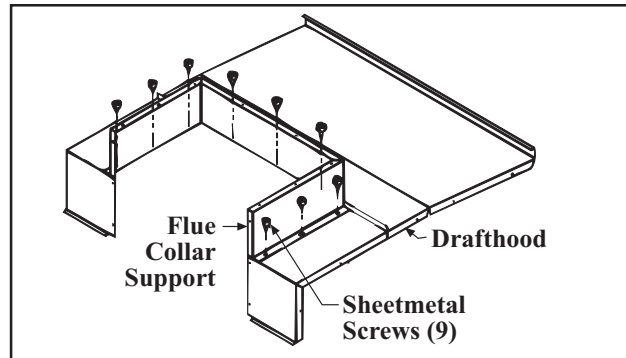
1. Remove the two center screws (one on each side) that are holding the three flue outlet pieces in place during shipping. Use these screws and the screws (#10x1/2" sheetmetal screws) in the plastic bag.

The three pieces are:	250, 300	400
Flue Collar Support	102857	102857
Cover	102855	102855
Flue Collar Assembly	102846	102847

2. Attach the Flue Collar Support

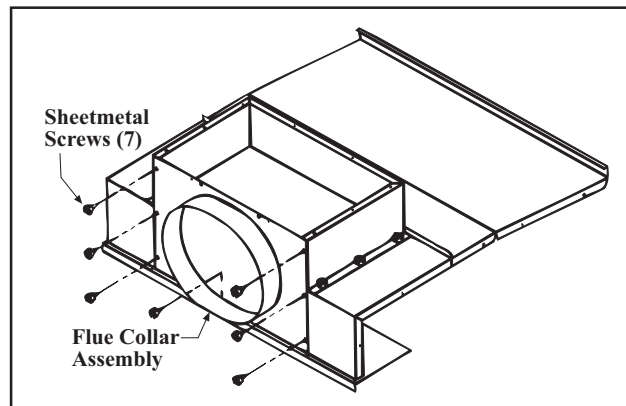
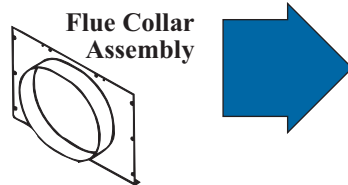


- Position the support around the hole in the draft hood with the opening toward the back of the heater.
- Fasten with nine sheetmetal screws.



3. Attach the Flue Collar Assembly

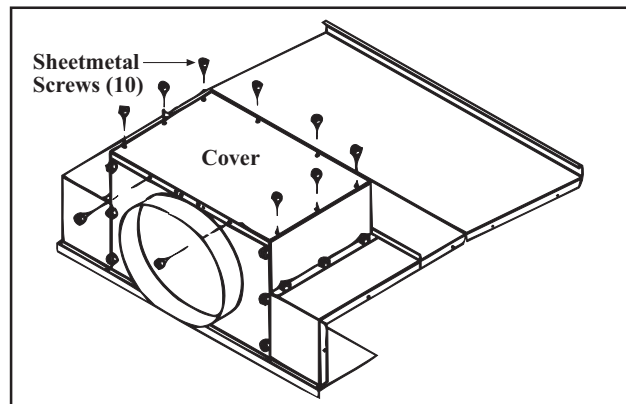
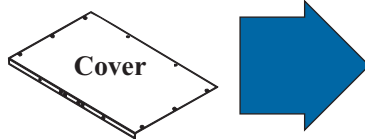
- Position the flue collar assembly over the rear opening.
- Fasten with seven sheetmetal screws.



Vertical Vent Installation Note: For vertical vent outlet, reverse the positions of the flue collar assembly (Step 3) and the cover (Step 4).

4. Attach the Cover

- Position the flat cover over the top opening.
- Attach with ten sheetmetal screws.



5. Installation of the vent outlet is complete. When the outlet is in the horizontal position, it is recommended that a 12"-18" piece of straight pipe be connected to the flue pipe before installing an elbow. Follow the instructions in the installation manual for venting the heater.

REZNOR®

Form I-F/B250/300/400, PN 102860 (Rev 2), Page 2

(800) 695-1901, www.RezSpec.com

©2014 Reznor, LLC. All rights reserved.

Trademark Note: Reznor® is registered in the United States and other countries.

0514 OG POD Form I-F/B250/300/400-HV (Version 0.1)

Printed in the U.S.A.