

IMPORTANT

1. Always include complete heater model and serial number so that any specification change can be considered for parts shipment. It can save time and expense.
2. Specifications are subject to change without notice.
3. We reserve the right to substitute functional replacements.
4. Order by Part No.; not Heater Option Designation.

Applies to: Replacement Parts for Model Series RG, RP, HRPD, RGB, RPB, RGBL, RPBL, RPDBL, PGBL, RBA, RBHA, and RBL (including prefixes "C", "H", and "HC")

Index

B

- Bearing 22, 43
- Bearing Support 21
- Blower 20, 21
- Model RBL/RBA/RBHA Blower Cabinets 43, 44
- Burner Rack 16

C

- PGBL Furnace Cabinet 13
- RG Cabinet and Flue Box Parts 12
- RP Cabinet and Collection Box Parts 14
- Cabinet Connector & Filler Parts for Multiple Furnaces 12, 14
- Cabinet Parts for "BL" Type Blower Cabinet 20
- Cabinet Parts for "B" Type Blower Cabinet 19
- Certification 3
- Combustion Air Pressure Switch 6
- Packaged System Configurations 4
- Contactors 7, 9
- 2-Stage Controller 6
- Mixed Air Controller 23
- Cooling Coil Cabinet 40
- Roof Curbs 42

D

- Discharge Damper and Controls 42
- Damper Linkage 24, 25, 26
- Dampers and Controls 22
- DDC Control 11
- Disconnect Switch 39
- Door Latch Kit 19, 21, 44
- Downturn Plenum 42
- Drives - Model RBHA 36
- Drives - Model Series (H)(C)RGB, (H)(C)RPB, and Model RBA 31
- Drives - Model Series RGBL, RPBL, PGBL and RBL 34
- Ductstat 6, 8

E

- Electrical Component Locations 6
- Electrical Components 8

F

- Fan Control 6
- Dirty Filter Pressure Switch 6
- Filter Rack 21
- Filters 37
- Firestat 8
- Flue Collar Assembly 12
- Flue Collection Box 12, 13, 14
- Freezestat 8
- Freezestat, Auto Reset 6
- Fuse 7, 9

G

- Gas Pressure Switch 6
- Gas Valve - See Form P-VALVES
- Gear Motor Kit 15

H

- Heat Exchanger 16
- Outside Air Inlet Hood 40

I

- Ignition Controller 6, 8
- Interface Module 23

L

- Limit 10
- Reverse Flow Limit 10
- Limit Control 6, 9
- Line Voltage 5

M

- Manifold 16
- Special Manifolds 18
- Blower Motor 27, 28, 30
- Gear Motor AG39,40,41,42 15
- Motor Adjustment Bracket 20, 43
- Motor Mounting Bolts 22, 43
- Motor Mounting Plate 20, 43

O

- Orifice 17
- Convenience Outlet 7, 9
- Overload 27, 29

P

- Replacement Parts Tag 2
- Pilot 11
- Potentiometer 7, 10, 23

R

- Rating Plate 2
- References 1
- Carryover Regulator 17
- Relay 10
- Time Delay Relay 6, 9
- Relay Chart 5
- Remote Console 39

S

- Sensor 8
- Serial Number 3
- Heat Shields 9
- Holding Coils for IEC Starters 30
- Starters 7, 27, 28, 30
- Air Proving Switch 7
- Auxiliary End Switch 23
- Blower Air Flow Switch 10
- Combustion Air Switch 8
- Gas Pressure Switch 9
- Pressure Null Switch 23
- Pressure Switch 9
- Toggle Switch 11

T

- Temperature Control 9
- Temperature Controller 7
- Terminal Blocks 7
- Thermostats 39
- Transformer 5, 10

V

- Manual Gas Valves 17
- Variable Frequency Drives 27
- Vertical Vent Kit 14
- Vent Cap 12
- Vent Cap Extension 13
- Venter Motor 13, 15
- Vent Limiter 9

Z

- "Z" Baffle 13

Duct Furnace Models



Packaged Models



Blower Cabinets




* Model is no longer being manufactured.

See your Factory Distributor for Forms listed below

Subject.....	Form
Installation/Operation - Model Series RPBL Packaged Systems	I-SSCBL/RPBL
Installation/Operation - Model Series RP and HRPD Duct Furnaces.....	I-RP/HRPD
Installation/Operation - Model Series RPB Packaged Systems	I-RPB
Installation - Model RBL Blower Cabinet.....	I-RBL
Limited Warranty	W
Replacement Components for Optional Evaporative Cooling Modules.....	P-REC
Replacement Gas Valves, Ignition Controllers, & Maxitrol Components for Modulation Gas Controls (Options AG 7, 8, 9, 21, 39, 40, 41, & 42).....	P-VALVES
Converting to Other Gases.....	CP-GC

Duct Furnace Rating Plate

MERCER, PA. USA 16137



Made in Mexico

DUCT FURNACE

CATEGORY I

FOR INDUSTRIAL/COMMERCIAL USE ONLY
ANSI Z83.8 [AA]-[A] CGA 2.6 [AA']-M [A'] DUCT FURNACE
MODEL [B] [C]
SERIAL NO. [D]
[E] VOLTS [E] PH [E] HZ MAXIMUM TOTAL INPUT [E] AMPS
TYPE OF GAS: [F] [G]
ORIFICE SIZE [J] DRILL HAS BEEN FACTORY ADJUSTED
FOR USE AT [H] FEET [I] METERS OF ALTITUDE.

	SEA LEVEL	ALT. ADJUSTED	
NORMAL INPUT	[R]	[K]]BTU/HR.
OUTPUT CAPACITY	[S]	[L]]BTU/HR.
MINIMUM INPUT(2,M.MB,MV MODELS)	[T]	[M]]BTU/HR.
NORMAL MANIFOLD PRESSURE		[N]]IN.W.C.
MIN. PERMISSIBLE GAS SUPPLY PRESSURE FOR PURPOSE OF INPUT ADJUSTMENT.		[O]]IN.W.C.

CLEARANCES TO COMBUSTIBLE CONSTRUCTION: VENT CAP-10", BOTTOM- 3",
FLUE CONNECTION-6", SERVICE SIDE- WIDTH OF UNIT, OPPOSITE SIDE-6"
THIS UNIT SHALL BE INSTALLED ON THE POSITIVE PRESSURE SIDE OF THE
AIR CIRCULATING BLOWER.
THIS UNIT MAY BE INSTALLED DOWNSTREAM FROM A REFRIGERATION
SYSTEM (USE DRAIN OPTION CS1).
THIS UNIT MAY BE USED WITH DUCTS.
THIS UNIT IS FOR OUTDOOR INSTALLATION ONLY.
MINIMUM OPERATIONAL AMBIENT AIR TEMPERATURE: -40 DEG. F
THIS UNIT IS FOR USE WITH NATURAL GAS AND PROPANE. A CONVERSION
KIT AS SUPPLIED BY THE MANUFACTURER, SHALL BE USED TO CONVERT
THIS DUCT FURNACE TO THE ALTERNATE FUEL.
FOR ALTERNATE INSTALLATIONS USE THE LATEST EDITIONS OF THE
APPROPRIATE STANDARD LISTED BELOW:
FOR AIRCRAFT HANGERS USE STANDARD ANSI/NFPA 409
FOR PARKING STRUCTURES USE STANDARD ANSI/NFPA 88A
FOR REPAIR GARAGES USE STANDARD ANSI/NFPA 88B

Key to Duct Furnace Rating Plate

A = Standard
B = Model and Size
C = Date of Manufacturer
D = Serial No.
E = Volts/PH/Hz/Amps
F & G = Natural Gas or Propane
H & I = Altitude
J = Orifice Drill Size
K = Normal Input (altitude adjusted)
L = Thermal Output (altitude adjusted)

M = Minimum Input (altitude adjusted)
N = Normal Manifold Pressure
O = Minimum Gas Supply Pressure
P = Maximum Air Throughput
Q = Minimum Air Throughput
R = Normal Input (sea level)
S = Thermal Output (sea level)
T = Minimum Input (sea level)

De-Coding a Serial No. - ALL Models **BEFORE** June, 2015

Sample: S BKI 95 W8 N 12345 MV3

1 | 2 | 3 | 4 | 5 | 6 | 7

- 1 = Stainless steel heat exchanger (with an aluminized heat exchanger, there is no letter suffix)
- 2 = Date code (see table on page 3)
- 3 = Pilot code (Reference Form P-VALVES)
- 4 = Valve code (Reference Form P-VALVES)
- 5 = N is natural gas; L is propane gas
- 6 = Consecutive number
- 7 = Maxitrol system (optional)

Decoding a Serial No. - ALL Models **AFTER** June, 2015


Sample: BOF 3060 000000

1 | 2 | 3

- 1 = Date of Manufacture (See table on page 3)
- 2 = Plant of Manufacture (3060 = Mercer; 3062 = Monterrey)
- 3 = Consecutive number

Blower Cabinet Rating Plate on Certified Packaged Units (see table on page 3)

MERCER, PA., U.S.A. 16137



PACKAGED DUCT FURNACE

FOR INDUSTRIAL/COMMERCIAL USE ONLY
DESIGN CERTIFIED FOR A.G.A REQUIREMENTS UNDER
[A] PACKAGED DUCT FURNACE STANDARD
MODEL [B] [C]
SERIAL NO. [D]
HP

[E] VOLTS [E] PH [E] HZ MAXIMUM TOTAL INPUT [E] AMPS
IF EQUIPPED WITH R.E.C. OPTION, ADD [V] AMPS
EQUIPPED FOR OPERATION AT AN AIR FLOW OF [F] SCFM
AGAINST A STATIC PRESSURE OF [G] INCHES WATER COLUMN.
DRIVE NO. [H] WIRING DIAGRAM [I]
SEE MANUFACTURER'S INSTRUCTIONS FOR OTHER AIR FLOW
CAPACITIES.
FILTERS, WHEN USED, MUST BE INSTALLED EXTERNAL TO THE
HEATING CASING.
REFER TO THE RATING PLATE OF THE DUCT FURNACE FOR
ADDITIONAL INFORMATION.

Key to Cabinet Rating Plate

A = Standard
B = Model
C = Date of Manufacture
D = Motor Horsepower
E = Volts/Phase/Hertz/Amps

F = SCFM
G = Static Pressure (w.c.)
H = Drive AM Option Code
I = Wiring Diagram No.

Identification Plate on Blower Cabinets Manufactured Prior to Package Certification (see dates on page 3)

MODEL NUMBER	SERIAL NUMBER
DRIVE NO.	WIRING DIAGRAM NO.
CFM ____ AT ____ IN. W.C. MAX. E.S.P. AND ____ HP	
VOLTS	PHASE HERTZ AMPERES

HP Codes

Single-Speed Motors		2-Speed Motors	
Code	HP	Code	HP
05	1	20	1/4.4
06	1-1/2	21	1.5/1.68
07	2	22	2/1.88
08	3	23	3/1.3
09	5	24	5/2.2
11	7-1/2	25	7.5/3.3
12	15	26	10/4.4
13	10		
14	20		

Replacement Parts Tag - Each unit has a replacement parts tag that includes the Model No. and the Serial No. as well as a list of original common replacement parts. Always provide the full model and serial numbers when ordering replacement parts.

First Element of the Serial Number - Date of Manufacture

Year	Jan	Feb	Mar	Apr	May	June	July	Aug	Sept	Oct	Nov	Dec
1989	AOA	AOB	AOC	AOD	AOE	AOF	AOG	AOH	AOI	AOJ	AOK	AOL
1990	APA	APB	APC	APD	APE	APF	APG	APH	API	APJ	APK	APL
1991	AQA	AQB	AQC	AQD	AQE	AQF	AQG	AQH	AQI	AQJ	AQK	AQL
1992	ARA	ARB	ARC	ARD	ARE	ARF	ARG	ARH	ARI	ARJ	ARK	ARL
1993	ASA	ASB	ASC	ASD	ASE	ASF	ASG	ASH	ASI	ASJ	ASK	ASL
1994	ATA	ATB	ATC	ATD	ATE	ATF	ATG	ATH	ATI	ATJ	ATK	ATL
1995	AUA	AUB	AUC	AUD	AUE	AUF	AUG	AUH	AUI	AUJ	AUK	AUL
1996	AVA	AVB	AVC	AVD	AVE	AVF	AVG	AVH	AVI	AVJ	AVK	AVL
1997	AWA	AWB	AWC	AWD	AWE	AWF	AWG	AWH	AWI	AWJ	AWK	AWL
1998	AXA	AXB	AXC	AXD	AXE	AXF	AXG	AXH	AXI	AXJ	AXK	AXL
1999	AYA	AYB	AYC	AYD	AYE	AYF	AYG	AYH	AYI	AYJ	AYK	AYL
2000	AZA	AZB	AZC	AZD	AZE	AZF	AZG	AZH	AZI	AZJ	AZK	AZL
2001	BAA	BAB	BAC	BAD	BAE	BAF	BAG	BAH	BAI	BAJ	BAK	BAL
2002	BBA	BBB	BBC	BBD	BBE	BBF	BBG	BBH	BBI	BBJ	BBK	BBL
2003	BCA	BCB	BCC	BCD	BCE	BCF	BGG	BCH	BCI	BCJ	BCK	BCL
2004	BDA	BDB	BDC	BDD	BDE	BDF	BDG	BDH	BDI	BDJ	BDK	BDL
2005	BEA	BEB	BEC	BED	BEE	BEF	BEG	BEH	BEI	BEJ	BEK	BEL
2006	BFA	BFB	BFC	BFD	BFE	BFF	BFG	BFH	BFI	BFJ	BFK	BFL
2007	BGA	BGB	BGC	BGD	BGE	BGF	BGG	BGH	BGI	BGJ	BGK	BGL
2008	BHA	BHB	BHC	BHD	BHE	BHF	BHG	BHH	BHI	BHJ	BHK	BHL
2009	BIA	BIB	BIC	BID	BIE	BIF	BIG	BIH	BIJ	BIK	BIL	BIM
2010	BJA	BJB	BJC	BJD	BJE	BJF	BJG	BJH	BJI	BJJ	BJK	BJL
2011	BKA	BKB	BKC	BKD	BKE	BKF	BKG	BKH	BKI	BKJ	BKK	BKL
2012	BLA	BLB	BLC	BLD	BLE	BLF	BLG	BLH	BLI	BLJ	BLK	BLL
2013	BMA	BMB	BMC	BMD	BME	BMF	BMG	BMH	BMI	BMJ	BMK	BML
2014	BNA	BNB	BNC	BND	BNE	BNF	BNG	BNH	BNI	BNJ	BNK	BNL
2015	BOA	BOB	BOC	BOD	BOE	BOF	BOG	BOH	BOI	BOJ	BOK	BOL
2016	BPA	BPB	BPC	BPD	BPE	BPF	BPG	BPH	BPI	BPJ	BPK	BPL
2017	BQA	BQB	BQC	BQD	BQE	BQF	BQG	BQH	BQI	BQJ	BQK	BQL
2018	BRA	BRB	BRC	BRD	BRE	BRF	BRG	BRH	BRI	BRJ	BRK	BRL
2019	BSA	BSB	BSC	BSD	BSE	BSF	BSG	BSH	BSI	BSJ	BSK	BSL
2020	BTA	BTB	BTC	BTD	BTE	BTF	BTG	BTH	BTI	BTJ	BTK	BTL

Date Series was Introduced or Recertified
(may affect parts selection)

Beginning January 2000, heaters display a CSA label certifying that the unit or system has been approved to ANSI Standards for use in the United States or to C.G.A. Standards for use in Canada.

Duct Furnace Certification			
Model	Original Agency	Introduced	Recertified
(H)(C)(HC) RP	A.G.A.	2/90	--
(H) RP	A.G.A.	--	Series 8 - 5/95
(H)(C)(HC) RG	A.G.A.	2/90	Series 8 - 5/95
(H) RG	C.G.A.	5/90	Series 8 - 5/95
(H) RP	C.G.A.	5/90	Series 8 - 5/95
Packaged Unit Certification			
Model	Original Agency	Certified	
(H)(C)(HC) RGB	A.G.A.	2/96	
(H) RPB	A.G.A.	2/96	
RPBL, (C)RGL	A.G.A.	11/96	
PGBL	A.G.A.	3/97	
(H)(C)(HC) RGB	C.G.A.	8/96	
(H) RPB	C.G.A.	8/96	
RPBL, (C)RGL	C.G.A.	8/97	
PGBL	C.G.A.	8/97	

(NOTE: Prefix "H" indicates higher CFM capacity; "C" indicates higher thermal efficiency; "HC" indicates higher CFM capacity and thermal efficiency.)

Descriptions

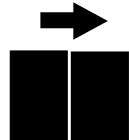
*** Models are no longer manufactured.**

Also, except for duct furnace Model HRPD, "H", "C", and "HC" Models are no longer manufactured.

Model	No. of Sizes	Type	Capacity Ranges	Thermal Efficiency	Vent	Installation
*PGBL	3	Packaged	400-1200 MBH Input/ 3300-13500 CFM	80%	Power	Indoor
*RG	11	Duct Furnace	75-400 MBH Input	78%	Gravity	Outdoor
*RGB	11	Packaged	75-400 MBH Input/ 600-7100 CFM	78%	Gravity	Outdoor
*RGL	7	Packaged	400-1200 MBH Input/ 3300-13500 CFM	78%	Gravity	Outdoor
RP	9	Duct Furnace	125-400 MBH Input	80%	Power	Outdoor
HRPD	8	2 Duct Furnaces	250-800 MBH Input	80%	Power	Outdoor
RPB	9	Packaged	125-400 MBH Input/ 1025-7100 CFM	80%	Power	Outdoor
*RPBL	7	Packaged	400-1200 MBH Input/ 3300-13500 CFM	80%	Power	Outdoor
*RPDBL	5	Packaged	800-1600 MBH Input/ 6600-22000 CFM	80%	Power	Outdoor
*RBA	1	Blower only	1500-5000 CFM	--	--	Indoor/Outdoor
*RBHA	1	Blower only	1500-5000 CFM	--	--	Indoor/Outdoor
RBL	1	Blower only	5000-15000 CFM	--	--	Indoor/Outdoor

Dual Duct Furnace and Packaged System (Blower/Furnace) Model Configurations

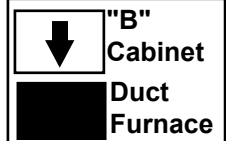
Outdoor Dual Duct Furnaces in Series, Model HRPD 250, 300, 350, 400, 500, 600, 700, 800



250 = 2(HRP125); 500 = 2(HRP250);
 300 = 2(HRP150); 600 = 2(HRP300);
 350 = 2(HRP175); 700 = 2(HRP350);
 400 = 2(HRP200); 800 = 2(HRP400)

Outdoor (H)(C)RGB and (H)RPB Packaged Systems

1. Model RG, CRG, HRG, HCRG, RP, or HRP duct furnace coupled with a "B" Blower Cabinet.
2. Optional outside air hood, downturn plenum, coil cabinet (with or without downturn), and evaporative cooling module may be part of the packaged unit.

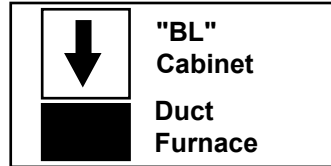


Outdoor (C)RGBL and RPBL Packaged Systems

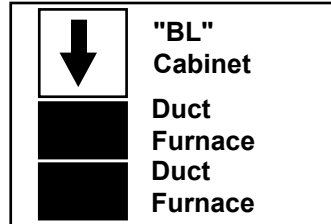
1. Model HRG, HCRG, or HRP duct furnaces (in quantity and size indicated below) coupled with a "BL" Blower Cabinet.
2. Optional outside air hood, downturn plenum, coil cabinet (with or without downturn), and evaporative cooling module may be part of the packaged unit.

Indoor PGBL Packaged System

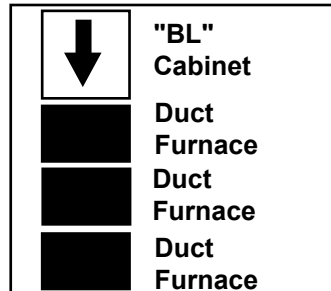
1. A PGBL packaged system is a duct furnace (in quantity and size indicated below) coupled with a "BL" Blower Cabinet.
2. Optional downturn plenum, coil cabinet (with or without downturn), and evaporative cooling module may be part of the packaged unit.



Packaged		Includes One Size 400 Duct Furnace			
Model Series	Size	250	300	350	400
RGBL/RPBL/PGBL	400	--	--	--	1



Packaged		Includes Size & Quantity of Furnaces			
Model Series	Size	250	300	350	400
RGBL/RPBL	500	2	--	--	--
RGBL/RPBL	600	--	2	--	--
RGBL/RPBL	700	--	--	2	--
RGBL/RPBL/PGBL	800	--	--	--	2

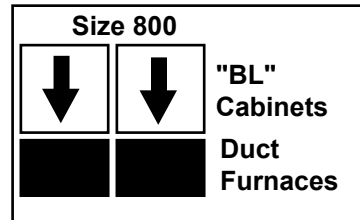


Packaged		Includes Size & Quantity of Furnaces			
Model Series	Size	250	300	350	400
RGBL/RPBL	1050	--	--	3	--
RGBL/RPBL/PGBL	1200	--	--	--	3

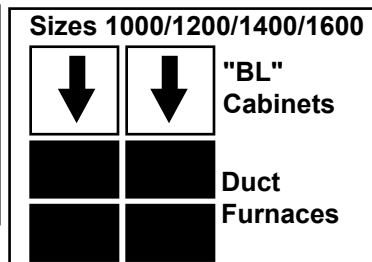
Outdoor RPDBL Packaged Systems

1. HRP duct furnaces (in quantity and size indicated below) coupled together with two "BL" Blower Cabinets.
2. Optional outside air hoods and downturn plenum cabinets may be part of the packaged unit.

Size 800



Sizes 1000/1200/1400/1600

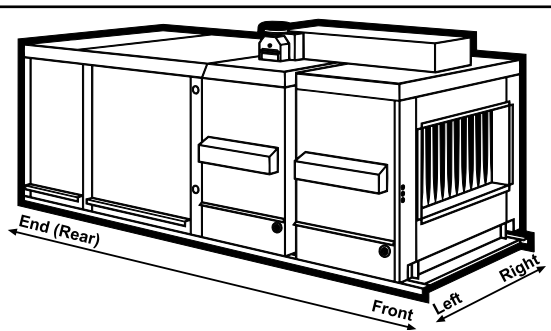


RPDBL	Consists of:
800	(2) RPBL 400 Packaged Systems
1000	(2) RPBL 500 Packaged Systems
1200	(2) RPBL 600 Packaged Systems
1400	(2) RPBL 700 Packaged Systems
1600	(2) RPBL 800 Packaged Systems

NOTE: Replacement parts are not identified for these specific models; look for equivalent RPBL models.

Unit Direction Orientation Diagram - Applies to all models; Model PGBL 800 illustrated

NOTE: Left side controls (illustrated) are standard. Right side controls are optional. If the unit has right side controls, some replacement parts will be affected.



Line Voltage Application to Package Configuration

Line Voltage to Furnace or Packaged System						
Unit Voltage	115	208	230	460	575	Comments
RG Control Volts In/Out/VA	115/24/20	208/24/20	230/24/20	460/24/20	N/A	Furnace only
RGB Motor Voltage	115	208	230	460	575	
RGB Controls Volts In/Out/VA	115/24/40	208/24/40	230/24/40	460/24/40	575/24/200	
RP Control Volts In/Out/VA	115/24/40	208/24/40	230/24/40	460/24/40	N/A	Furnace only
HRPD Control Volts In/Out/VA	115/24/40	208/24/40	230/24/40	460/24/40	N/A	Furnace only
RPB Motor Voltage	115	208	230	460	575	
RPB Controls Volts In/Out/VA	115/24/40	208/24/40	230/24/40	460/24/40	115/24/40	575 to 115V / 300VA Transformer
RPBL/RGBL/PGBL 400	115	208	230	460	115	575 to 115V / 300VA Transformer
RPBL/RGBL 500-800; PGBL 800	115	208	230	460	115	575 to 115V / 500VA Transformer
RPBL/RGBL 1050-1200; PGBL 1200	115	208	230	460	115	575 to 115V / 750VA Transformer

Quick Reference Charts (NOTE: Consult wiring diagram to verify relays and transformers.)

Relay Chart	Relay P/N								
	211411 Relay with Socket 211415 beginning 9/2011	103317*	98118*	110656	259780 beginning 02/2010	259518* or 46233* Order Replacement Kit 259521	209164	262337 beginning 12/2010	206146* Order Replacement Kit 262375
Where Used									
Freezestat Relay	X	X							
Starter Relay				X					
Summer/Winter Relay (Option BF2)	X		X						
SPST Relay (BG Option)	X		X						
SPDT Relay (BG Option)	X	X							
Illinois School Code Controls (Option BM12)		X	X						
Two-Speed Motor Relay				X					
Two-Speed Motor Speed Relay				X					
IRI Gas Controls (Option BM13)			X(4)						
Discharge Damper Relays	X (2)	X(2)							
Time Delay Relay Venter (RP Series & PGBL)					X	X			
Blower Relay	X		X						
DDC Interface Relay (Options D1, D2, D3, D4)		X (2or3)							
Fan/Blower Control (replaced temperature activated fan control 12/04)							X		
Gas Control Options AG7, AG8, AG9, AG39, AG40, AG41, AG42								X	X
For additional information, see CODE(S):	34, 35			33		12	14		138
On Page	10			10		9	9		15

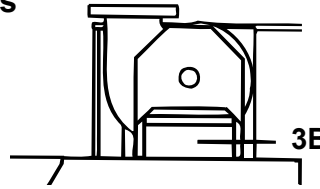
* These P/N's are for reference only; the parts are no longer available.

Transformer Chart

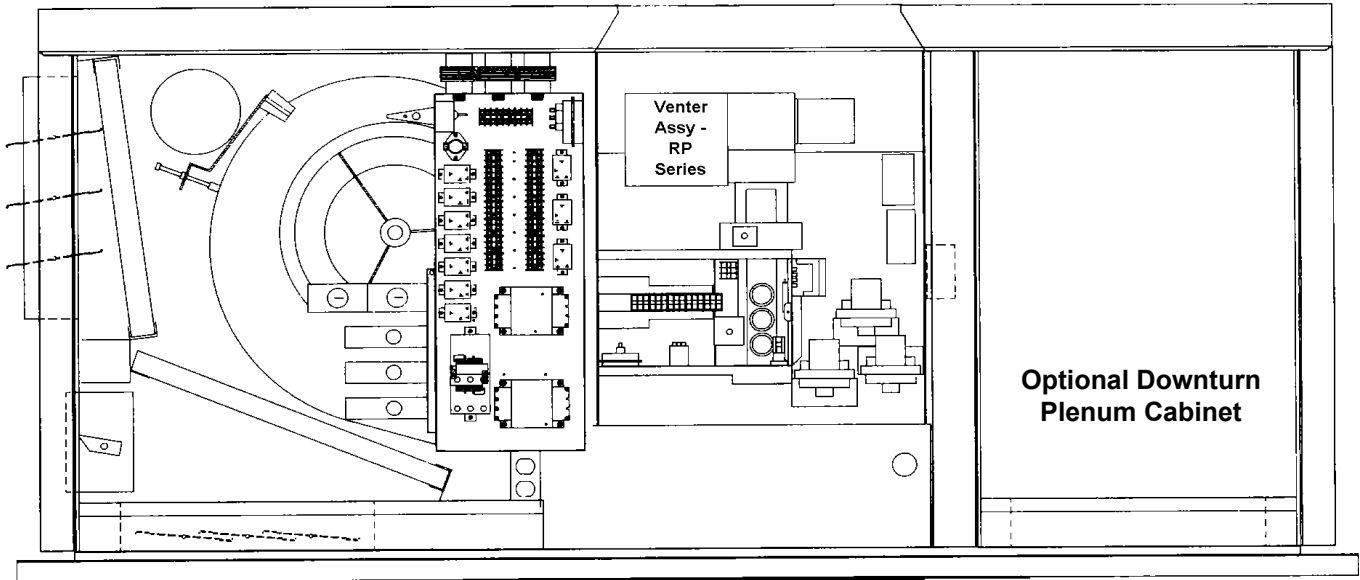
Transformer P/N	Transformer Volts			RG Controls	RP Controls	RGB(L) Controls	RPB(L) Controls	PGBL Controls	RBHA/RBA/RBL Controls	575V Line RPBL/PGBL400	575V Line RPBL400-800; PGBL 800/1200	575V Line RPBL 1050-1200	IRI Manifold	FM Manifold	Used in Option D1-4 (DDC from building's environmental control system)	Discharge Damper
	In	Out	VA													
103054	115	24	20	X												
103055	115	24	40		X	X	X		X						X	X
103497	208-230	24	40						X						X	X
103498	480	24	40						X						X	X
38634	115	24	200					X								
39095	208-230-460-575	24	200			X	X	X	X							
105202	208-230-460-575	115	300				X	X		X			X	X		
86998	208	115	500										X			
86997	230-460	115	500										X			
112641	575	115	500								X					
112642	575	115	750									X				

Furnace Electrical Component Locations

("B" Cabinet is illustrated; control locations are the same in the larger capacity "BL" Cabinets)



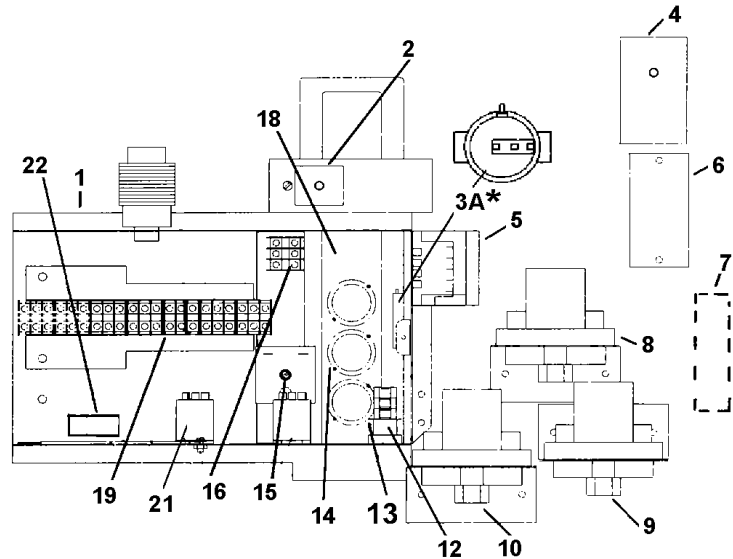
Venter assembly and combustion air switch on indoor Model PGBL is on top of the unit.



NOTE: See pages 8 - 10 for illustrations and additional information about the furnace electrical components listed below.

Maxitrol Amplifier
See Form P-VALVES

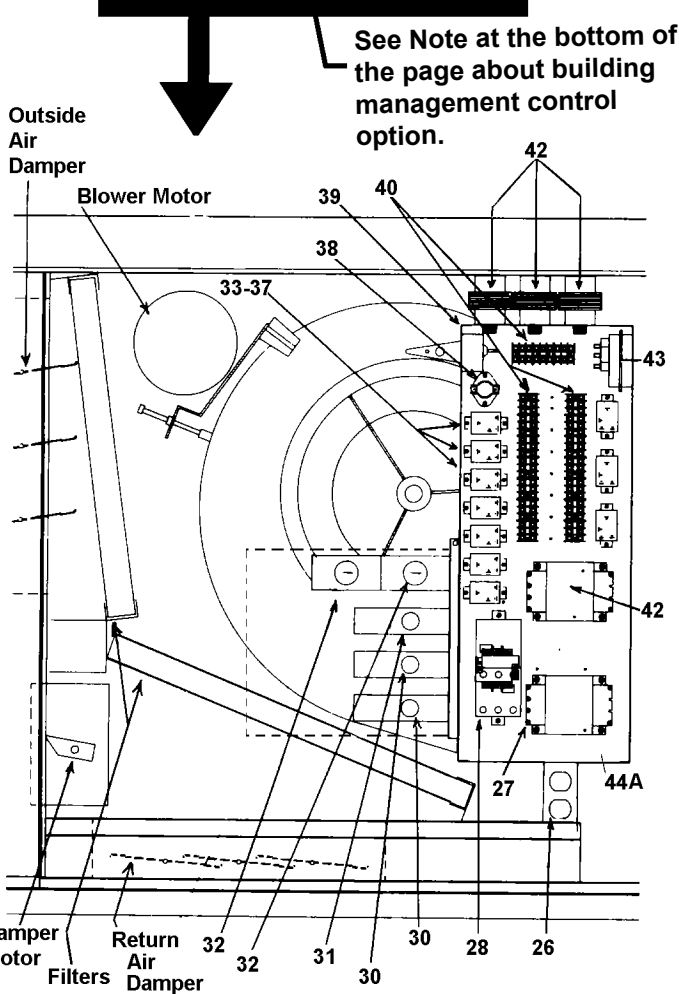
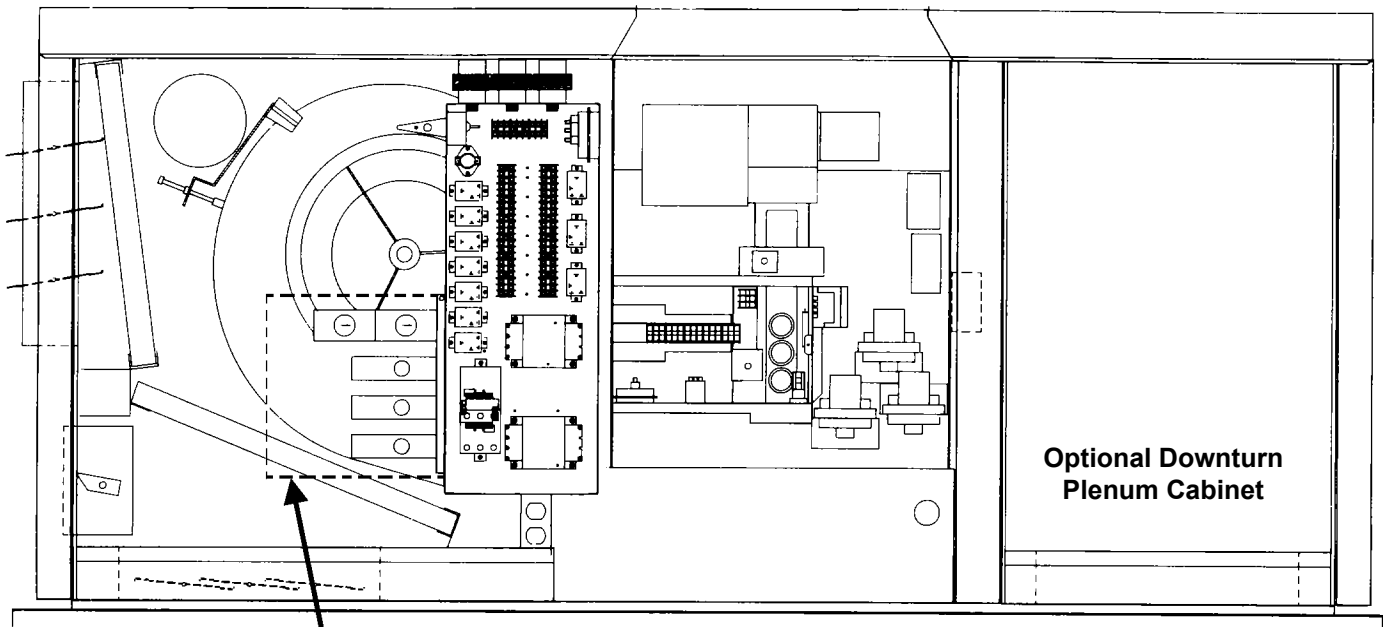
Code	Description	P/N
1A	Electrical Box	100108
1B	Electrical Box Cover	100109
2	Freezestat, Auto Reset (Option BE2)	126170
3A*	Combustion Air Pressure Switch -- Replacement switch depends on the date of manufacture and original equipment; see P/N's on page 8.	
3B	Combustion Air Pressure Switch (PGBL, top of page) -- Replacement switch depends on the date of manufacture and original equipment; see P/N's on page 8.	
4	Discharge Air Firestat (Option BD2)	42782
5	Ignition Controller - See P/N's on page 8.	
6	Discharge Air Sensor (modulating gas controls)	48041
7A	2-Stage Controller (for Option AG3)	41700
7B	2-Stage Ductstat Sensor Holder (AG15-20)	115850
7C	Remote Ductstat Modules (AG15-20) - see page 8.	
8	Low Gas Pressure Switch, 1-6" w.c. (Natural Gas)	93849
9	Low Gas Pressure Switch, 6-24" w.c. (Propane)	149176
10	Main High Gas Pressure Switch (Opt BP2)	93850
11	Gas Pressure Switches in Opt AG39, AG40, AG41, and AG42 - location not shown; see page 9.	
12	Time Delay Relay (RP Series) - See P/N's on page 9.	
13A	Limit Control RG(B) & RP(B) only (for BL systems, see page 10)	50417
13C	Limit Shield RG(B) & RP(B) only	12229
14	Fan Control - Effective 12/04, a temperature activated fan control is no longer available. Order Replacement Kit, P/N 209184.	209184
	Fan Control Time Delay Relay (on units mfgd beginning 12/04; check wiring diagram)	209164
15	Freezestat or Gas Control Options AG7, AG8 or AG9 Time Delay Relay	89661
16	Line Voltage Terminal Blocks	144972
17	Line Voltage Terminal Block Adapter	144973



*Code 3A - Beginning with units manufactured 2/99, the pressure switch on RP Series units is mounted inside the electrical box. Prior to 2/99, the pressure switch is mounted on the wall of the electrical compartment above the electrical box. See page 8 for replacement information.

Code	Description	P/N	
18	Heat Shield (on units mfgd prior to 12/04)	U.S.	10188
		Canada	63818
19	Low Voltage Terminal Blocks	144972	
20	Low Voltage Terminal Block Adapter	144973	
21	Freezestat Relay - See P/N's on page 9.		
22	Dirty Filter Pressure Switch	105507	

Blower Cabinet Electrical Component Location ("B" Cabinet is illustrated; control locations are the same in the larger capacity "BL" Cabinets)



See Note at the bottom of the page about building management control option.


Code	Description	P/N	
25	Fuse Holder (Fuse, see page 9)	60241	
26	Convenience Outlet	96912	
27A	Blower Motor Contactor - 24V Coil (replaces P/N 93661 and P/N 119625)	216386	
27B	Blower Motor Starters - see P/N's on pages 27-30.		
28	Temperature Controller (Options AG41, AG42)	197204	
29	High Ambient Limit Control (Opt BN2)	126170	
30	Outside Air or Return Air Controller (or P/N 197204, J/C A19ABC-24)	126170	
31	Mixed Air Controller	16109	
32	Potentiometer	16110	
33	Starter Relay (replaces 105803)	110656	
34	Summer Winter Relay (Option BF2) - See P/N's on page 10.		
35	RBM Relay (BG Options) - See P/N's on page 10.		
37	2-Speed Motor Speed Selector Relay - See illustration in CODE 33, page 10.	110656	
38	Auto Reset Reverse Flow Limit	103323	
39	Return Air Firestat (Option BD3); See Code 4, pg 8.	42782	
40	Low Voltage Terminal Blocks	144972	
41	Low Voltage Terminal Block Adapters	144973	
42A and 42B	Control and Damper Transformers (See Chart on page 5.)	115V to 24V, 20VA	103054
		115 to 24V, 40VA	103055
		208/230 to 24V, 40VA	103497
		460 to 24V, 40VA	103498
		208 to 24V, 200VA	38634
		230/460/575 to 24V, 200VA	39095
		230/460/575 to 115V, 300VA	105202
		208 to 115V, 500VA	86998
230/460 to 115V, 500VA	86997		
575 to 115V, 500VA	112641		
575 to 115V, 750VA	112642		
43	Air Proving Switch	112107	
44A	Blower Cabinet Electrical Box - std left side controls	100092	
44A	Blower Cabinet Electrical Box - optional right side controls	95486	
44B	Electrical Box Cover	100095	
44C	Electrical Box Top	196648	

Reference NOTE: Except where a page number is listed, see pages 8-10 for illustrations and additional information about electrical components.

Building Management Control NOTE: If equipped with Option D1-D4 for DDC interface to the building's computerized environmental control system, the dotted line (top illustration) indicates the location of the electrical box that houses the specially programmed Johnson Control Metasys® control unit. Box Cover is P/N 171739. Other components are listed on page 11.

Electrical Components - See location drawings on pages 6-7.

Code 1 - Electrical Box and Cover (in the electrical compartment)
Electrical Box, P/N 100108 (replaces 11965 on Model RG)




Electrical Box Cover, P/N 100109 (replaces P/N 9546 on Model RG)

Code 2 - Freezestat, J/C #A19AAF-2C, 25-225°F, P/N 126170, (replaces P/N 16108)



Bulb Clamp, P/N 100260
Grommet Clamp, P/N 131993; Cable Clamp, P/N 132065

Code 3 - Combustion Air Switch - Replacement depends on date of manufacture and altitude:



For power vented models mfgd beginning 7/04, altitudes to 4000 ft, **P/N 204327**, setpoint $0.58 \pm .05$ " w.c. ; altitudes above 4000 ft, **order P/N 204328**, setpoint $.52 \pm .05$ " w.c.

For RP Series units mfgd between 12/91 and 7/04 (except RP/RPB Models with Option AG39/40 or 1st furnace of Models HRPD/RPBL with Option AG41/42 modulating gas controls), for altitudes to 4000 ft, **order replacement kit P/N 193810**; for altitudes above 4000 ft, **order P/N 193811**.

For RP/RPB Models mfgd between 12/91 and 7/04 with Option AG39/40 and 1st furnace of Models HRPD/RPBL with Option AG41/42 gas controls, order **P/N 193813** for RP(B) Sizes 125-225 and HRPD 250-400 or **PN 193812** for RP(B) Sizes 250-400, HRPD 500-800, and all RPBL.

For all RP Series Models manufactured prior to 12/91 (serial No. Date Code AQL), order Replacement Pressure Switch Kit, **P/N 93033**.

Codes 4 & 39 - Firestat, Honeywell #L4029E 1029, Manual reset opens at 200°F, P/N 42782



Firestat Gasket, P/N 121041 (used when firestat is installed less cover)
Firestat Shield, P/N 120021 (used with discharge firestat only)

Code 5 - Ignition Controllers

Ignition Controller for Intermittent Spark Pilot System without Lockout, P/N 257009 (Serial No. Code 94)

To replace a previously used recycling ignition controllers without lockout (Serial No. Codes 62 and 66), order Replacement Kit, **P/N 257472**



Ignition Controller for Intermittent Spark Pilot System with Lockout, P/N 257010 (Serial No. Code 95)

To replace a previously used ignition controllers with lockout (Serial No. Codes 63, 65 and 84), order Replacement Kit, **P/N 257473**

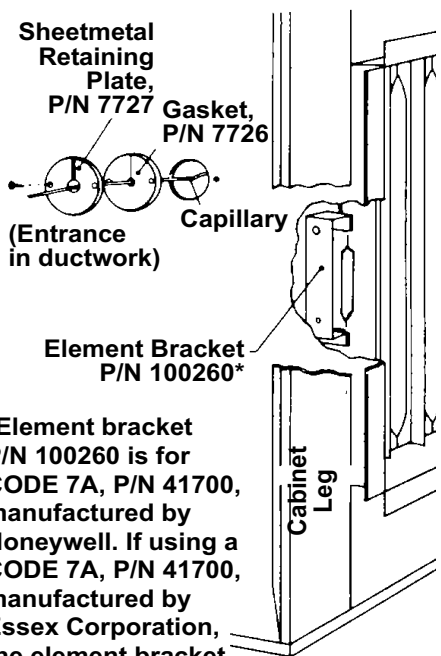


Code 6 - Discharge Sensor for Modulating Gas Valve, P/N 48041, Maxitrol TS-121, for Options AG8 & AG9; P/N 133228, Maxitrol TS-194 for Options AG39 & AG41



Gasket, P/N 104138


Location and Components for Installing Discharge Sensor, Code 7A



Sheetmetal Retaining Plate, **P/N 7727**
 Gasket, **P/N 7726**
 Capillary
 (Entrance in ductwork)
 Element Bracket **P/N 100260***
 Cabinet Leg

***Element bracket P/N 100260 is for CODE 7A, P/N 41700, manufactured by Honeywell. If using a CODE 7A, P/N 41700, manufactured by Essex Corporation, the element bracket P/N is 104156.**

Code 7B - Ductstat Sensor and Holder for Code 7C Remote Ductstats
Ductstat Sensor Holder, #TE6001-1, P/N 115850



Ductstat Sensor only, #SET A99BC-25C, P/N 115851, (part of P/N 115848 below)

Code 7A - Two-Stage Ductstat, Honeywell T678A1015, P/N 41700
 55-58°F,
 Capillary Length 5' -
 Used in Gas Control Options AG3, AG4, and AG5



Bulb Holder, P/N 100260
Cable Strap, P/N 16227

Code 7C - Remote Ductstat Modules in Gas Control Options AG15-AG20



A = Ductstat Temperature Selector Module, J/C A350AA-1C, P/N 115848
B = Stage Adder Module, J/C S350AA-1C, P/N 115849
C = Digital Temperature Display Module, J/C D350AA-1C, P/N 115852

Codes 8, 9, 10 - Gas Pressure Switches
Codes 8 & 9 Low Gas Pressure Switches:
P/N 93849 - Range 1-6" w.c., Natural Gas
P/N 149176 - Range 6-24" w.c., Propane
 Automatic Reset, Settings - 50% of minimum inlet gas pressure as stated on the unit rating plate
Code 10 - High Gas Pressure Switch,
P/N 93850
 Manual Reset, Settings - 125% of normal manifold gas pressure as stated on the unit rating plate
Vent Limiter, Maxitrol A1209, P/N 123481
Bracket, P/N 100261



Code 11 - Manifold and Control with Gas Pressure Switches used in Modulating Gas Control Options AG39, AG40, AG41, AG42

Primary Gas Flow Pressure Switch, White Label, 1.1" w.c., P/N 174809
 For AG 39, 40, 41, 42 with a solenoid actuator (mfgd before 11/03), Backup Gas Flow Pressure Switch, Yellow Label 1.4" w.c., P/N 175985
 For AG 39, 40, 41, 42 with a gear motor (mfgd beginning 11/03), there are two gas flow pressure switches with the white label, 1.1" w.c., P/N 174809

NOTE: Carryover regulator parts are on page 17. See Parts Form P-VALVES for gas valves.

Code 12 - Time Delay Relay , P/N 259780

To replace time delay relay (P/N 46233 or 259518) used on product manufactured prior to 2/2010, order replacement kit, **P/N 259521**.

Code 13A - Limit Control, P/N 50417, opens 125°F; closes 105°F

Used on RG, RGB, RP, RPB Series units; for "BL" packaged systems, see page 10.
NOTE: Limit Control for RP/HRPD with Option BU12 is **P/N 196571**, 140°F, red/white label

Code 13B - Limit Control Shield, P/N 12229

Used with Code 13A on Models RG and RGB

Code 14 - SPST Time Delay Relay (for fan/blower control on units mfgd beginning 12/04), P/N 209164, Thermodisc I2S20-305131

For units manufactured prior to 12/04, the temperature activated fan control is no longer available. Order Replacement Kit, **P/N 209184**.

Code 15 - Time Delay Relay, T & B Agastat TM1ULA, P/N 89661

Used in the freezestat circuit or gas control options AG7, AG8 or AG9.

Codes 16 & 17; 19 & 20; and 40 & 41
Terminal Block, P/N 144972
Terminal Block Adapter, P/N 144973

Code 18 - Heat Shields (on units mfgd prior to 12/04)
 For U.S. Unit, P/N 10188
 For Canadian Unit, P/N 63818

Code 21 - Freezestat Relay, P/N 211411 and P/N 211415

For units manufactured prior to 9/2011, order a replacement kit, **P/N 263527**, to replace relay.

Code 22 - Dirty Filter Pressure Switch, Tridelta AP4434, P/N 105507

Field adjustable; range .17 to 5.0" w.c. plus or minus .05" w.c.

Code 25 - Fuse and Fuseholder
Fuses:
 8 Amp, P/N 201773, Bussman FNM8
 3 Amp, P/N 201780, Bussman FNM3
 3 Amp, P/N 201803, Bussman MDL3
Fuse Holder, P/N 60241

Code 26 - Convenience Outlet Receptacle, P/N 96912




Code 27A - Motor Contactor, 24V Coil, P/N 216386 (replaces P/N's 93661 and 119625)

For blower motor starters, see page 27-30.

Code 28 - Temperature Control, J/C #A19ABC-24, -30 to 100°F, used in Gas Control Option AG41 and AG42 on Models RPBL and HRPD, P/N 197204



Electrical Components (cont'd) - See location drawings on pages 6-7.



<p>Codes 29 and 30 - High Ambient Limit Control and Outside Air or Return Air Controller, P/N 126170</p> 	<p>Code 31 - Mixed Air Controller, P/N 16109</p> 	<p>Code 32 - Potentiometer, P/N 16110</p> 	<p>Codes 33 & 37 - Blower Relay/ 2-Speed Motor, Essex 91-102006-1300, 24V, P/N 110656</p>  
---	---	--	--

<p>Codes 34 & 35 - 24V, DPDT, Plugin Relay, P/N 211411 and Socket, P/N 211415</p>  <p>For units manufactured prior to 9/2011, order a replacement kit, P/N 263527, to replace relay.</p>	<p>Code 38 - Reverse Flow Limit, #60T11-313154, P/N 103323</p>  <p>Bracket, P/N 18795</p>	<p>Codes 42A - Control and Damper Transformers, 20 and 40 VA</p> <p>P/N 103054, 115/24/20VA, Basler #BE121625-WAR</p> <p>P/N 103055, 115/24/40VA, Basler #BE141650-WAA</p> <p>P/N 103497, 208/230/24/40VA, Basler #BE2153900</p> <p>P/N 103498, 460/24/40VA, Basler #BE23975001</p> 
---	--	--

Code 39 - See Code 4, page 8.
Codes 40 & 41 - See Codes 16 & 17, page 9.

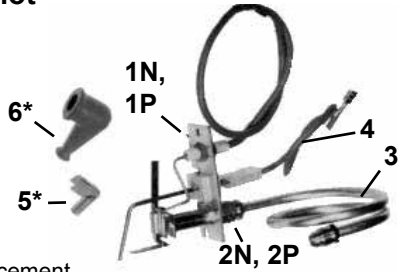
<p>Codes 42B - Control and Damper Transformers, 200 and 300 VA</p>  <p>P/N 105202, 575/115/300VA - Use on 115V furnace</p> <p>P/N 39095, 230/460/575-24-200VA</p> <p>P/N 38634, 208/24/200VA</p>	<p>Codes 43 - Blower Air Flow Switch, Tridelta FP6605, Normally Open Non-Adjustable, Setpoint .175"w.c., P/N 112107</p>  <p>(Air Proving Switch, Option BW1)</p> <p>See page 22 for blower pitot probe.</p>	<p>Code 44 - Blower Cabinet Electrical Boxes and Cover</p> <table style="width:100%; border-collapse: collapse;"> <tr> <td style="width:33%;">Cover, P/N 100095</td> <td style="width:33%;">Left Side Controls Box, P/N 100092</td> <td style="width:33%;">Optional Right Side Controls Box, P/N 95486</td> </tr> </table>  <p>(See Orientation Illustration on page 4)</p>	Cover, P/N 100095	Left Side Controls Box, P/N 100092	Optional Right Side Controls Box, P/N 95486
Cover, P/N 100095	Left Side Controls Box, P/N 100092	Optional Right Side Controls Box, P/N 95486			

<p>Limit Controls used on Model Series RGLB, PGLB and RPBL mfgd beginning 1/97 (for older units, see below)</p> <p>Automatic Reset Limit Control with Linear Sensor, TOD #10HG11, P/N 148588</p> 	<p>Automatic Reset Limit Control, TOD #60T11</p> 	<p>Key: (Applies to both limit tables)</p> <table style="width:100%; border-collapse: collapse;"> <tr> <td style="width:25%;">"BL" Blower Cabinet Air Flow →</td> <td style="width:12.5%;">Furnace #1</td> <td style="width:12.5%;">Furnace #2</td> <td style="width:12.5%;">Furnace #3</td> </tr> </table>	"BL" Blower Cabinet Air Flow →	Furnace #1	Furnace #2	Furnace #3												
"BL" Blower Cabinet Air Flow →	Furnace #1	Furnace #2	Furnace #3															
<table border="1" style="width:100%; border-collapse: collapse;"> <thead> <tr> <th style="width:10%;">Furnace</th> <th style="width:30%;">Size 400</th> <th style="width:30%;">Sizes 500/600/800</th> <th style="width:30%;">Sizes 1050/1200</th> </tr> </thead> <tbody> <tr> <td>#1</td> <td>50418, 201220, 145°F 148588, TOD #10HG11</td> <td>50418, 201220, 145°F</td> <td>50417, 201234, 125°F</td> </tr> <tr> <td>#2</td> <td></td> <td>57953, 201614, 170°F 148588, TOD #10HG11</td> <td>50418, 201220, 145°F</td> </tr> <tr> <td>#3</td> <td></td> <td></td> <td>57953, 201614, 170°F 148588, TOD #10HG11</td> </tr> </tbody> </table>			Furnace	Size 400	Sizes 500/600/800	Sizes 1050/1200	#1	50418 , 201220, 145°F 148588 , TOD #10HG11	50418 , 201220, 145°F	50417 , 201234, 125°F	#2		57953 , 201614, 170°F 148588 , TOD #10HG11	50418 , 201220, 145°F	#3			57953 , 201614, 170°F 148588 , TOD #10HG11
Furnace	Size 400	Sizes 500/600/800	Sizes 1050/1200															
#1	50418 , 201220, 145°F 148588 , TOD #10HG11	50418 , 201220, 145°F	50417 , 201234, 125°F															
#2		57953 , 201614, 170°F 148588 , TOD #10HG11	50418 , 201220, 145°F															
#3			57953 , 201614, 170°F 148588 , TOD #10HG11															

<p>Limit Controls & Shields used on Model Series RGLB and RPBL mfgd prior to 1/97</p> <p>Limit Shields</p>  <p>P/N 12229 P/N 9704</p> <p>Automatic Reset Limit Control, TOD #60T11</p> 	<table border="1" style="width:100%; border-collapse: collapse;"> <thead> <tr> <th style="width:10%;">Furnace</th> <th style="width:30%;">Size 400</th> <th style="width:30%;">Sizes 500/600/800</th> <th style="width:30%;">Sizes 1050/1200</th> </tr> </thead> <tbody> <tr> <td>#1</td> <td>50418, 201220, 145°F 12229, Limit Shield</td> <td>50418, 201220, 145°F 12229, Limit Shield</td> <td>50417, 201234, 125°F</td> </tr> <tr> <td>#2</td> <td></td> <td>57953, 201614, 170°F</td> <td>19080, 35675, 155°F 9704, Limit Shield</td> </tr> <tr> <td>#3</td> <td></td> <td></td> <td>57953, 201614, 170°F</td> </tr> </tbody> </table>	Furnace	Size 400	Sizes 500/600/800	Sizes 1050/1200	#1	50418 , 201220, 145°F 12229 , Limit Shield	50418 , 201220, 145°F 12229 , Limit Shield	50417 , 201234, 125°F	#2		57953 , 201614, 170°F	19080 , 35675, 155°F 9704 , Limit Shield	#3			57953 , 201614, 170°F
Furnace	Size 400	Sizes 500/600/800	Sizes 1050/1200														
#1	50418 , 201220, 145°F 12229 , Limit Shield	50418 , 201220, 145°F 12229 , Limit Shield	50417 , 201234, 125°F														
#2		57953 , 201614, 170°F	19080 , 35675, 155°F 9704 , Limit Shield														
#3			57953 , 201614, 170°F														

Replacement Pilot -

All Furnaces
Replacement
Pilot Kits:
Natural Gas -
P/N 110861
Propane -
P/N 110862

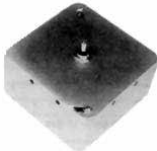


*Included in the replacement kit which covers several models of heaters; these parts are not used when replacing pilots on the heaters covered in this manual.

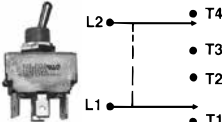
Code	P/N	Component Description
1N	61145	Natural gas pilot with orifice, high tension lead, flame probe (less pilot tubing and flame sensor lead)
1P	61146	Propane gas pilot with orifice, high tension lead, flame probe (less pilot tubing and flame sensor lead)
2N	63088	Natural gas pilot orifice only (7221)
2P	37801	Propane gas pilot orifice only (4209)
3	5145	Pilot tubing, 22" long
	9664	Nut with breakaway ferrules (2 required)
4	44675	Sensor lead 9" long
5*	112647	Crimp-on, 90° Rajah terminal connector
6*	112648	90° Boot Terminal Protector

Toggle Switches

P/N 40277, DPDT, 3-Position Toggle Switch in a 4x4 box (Same as Option CN1)



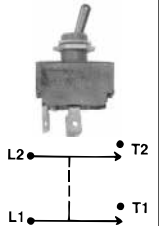
P/N 101900, DPDT, 3-Position Toggle Switch (replaces P/N 21826) - Used in Option CN1 and Remote Console
 Options RC5, RC6, RC7, RC8, RC10, RC11, RC12



P/N 39732, DPST, 2-Position Toggle Switch in a 2x4 box (Same as Option CN2)



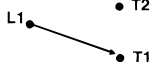
P/N 101902, DPST, 2-Position Toggle Switch (replaces P/N 16816) - Used in Options CN2, AG3, AG8, AG9 and Remote Console Option RC12



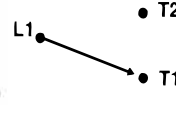
P/N 39733, SPDT, 2-Position Toggle Switch in a 2x4 box (Same as Option CN3)



P/N 101901, SPDT, 2-Position Toggle Switch (replaces P/N 1052) - Used in Options CN3, CN4, and Remote Console Options RC3, RC4, RC7, RC8, RC11



P/N 39748, SPST, 2-Position Toggle Switch in a 2x4 box (Same as Option CN4)
NOTE: When replacing SPST switch with SPDT switch, make wiring connections at appropriate two terminals for switch to function properly.

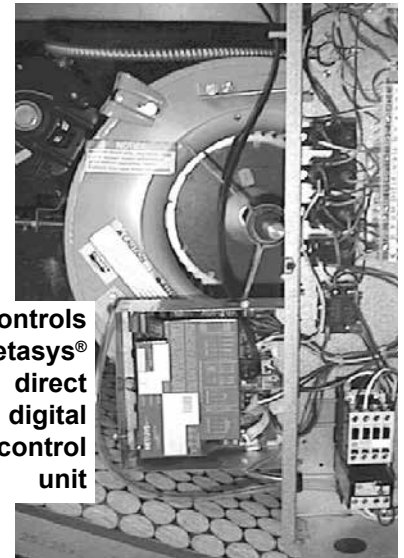


Electrical Components and Sensors when the system is equipped with a specially programmed Johnson Control Metasys® Unit for Direct Digital Control interface with the building's computerized environmental control system (Options D1, D2, D3, and D4)

DDC Control Option for RGB/RPB only	D1	D2	D3	D4
Maintains constant mixed entering air temperature	X	-	X	-
Maintains constant discharge air temperature	-	X	-	X
Modulating Dampers	X	-	X	-
On/Off Dampers	-	X	-	X
Modulating Gas Control	X	X	-	-
Two-Stage Gas Control	-	-	X	X
Firestat (see Code 4, page 8)	X	X	X	X
Freezestat (see Code 2, page 8)	X	X	X	X
Air Proving Switch (see Code 43, page 10)	X	X	X	X

Component Description	D1	D2	D3	D4
J/C Metasys® DDC Interface Unit, #AS-UNT121-1	171138	171139	171140	171141
EMI Filter, Corcom #3VK1	171738			
RBM Relay (2 on D1&2; 3 on D3&4)	Replacement Kit for each, P/N 263527			
Fuse, 2.5 amp	61542			
Fuseholder, Buss HTB-481	60241			
Duct Probe Temperature Sensor, J/C #TE-631 1P-1,	171135			
Remote Setpoint Selector, J/C #TE-6411S-2010	175646			
Outdoor Temperature Sensor, J/C #TE-631 3P-1	171137			
SPDT Switch in 2x4 Box (see above)	(2) 39733			
DDC Damper Interface Module, H/W Q7230A (see Code 393, pg 23)	171134	--	171134	--
DDC Gas Control Interface Module (see photo right)	134170	--	--	--

Blower Cabinet



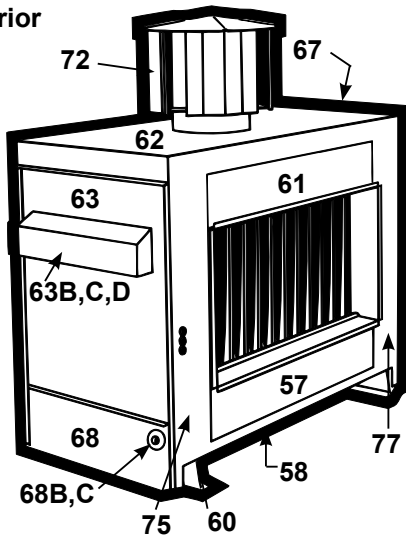
Johnson Controls Metasys® direct digital control unit

DDC Gas Control Interface Module in Options D1 and D2, P/N 134170

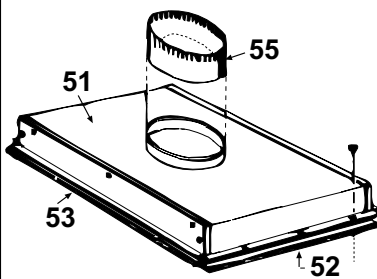


RG Cabinet and Flue Box Parts - Same parts apply to RG duct furnaces in packaged Model Series RGB and Series RGL (Quantities listed are per furnace section.)

Basic Exterior Parts for Model RG

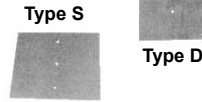


Flue Collection Box for Basic Model RG Furnace



Flue Restrictors - Codes 56 & 81

See Codes 56 & 81 below for type and size. For application by unit size, see Code 56 or 81 in the table below.



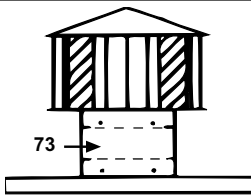
Codes 56 and 81 - Flue Restrictors by Type & Size

P/N	Type	Size	P/N	Type	Size
15584	S	6-7/16 x 6-7/16	89209	D	6-3/8 x 6-3/8
86440	D	5-5/8 x 5-5/8	89210	S	3 x 7-1/2
86454	D	7 x 7	89211	S	4-3/4 x 4-7/16
86479	S	1-3/4 x 5-3/4	89212	D	7-3/4 x 7-3/4
86485	D	6-1/4 x 6-1/4	89213	S	8-5/8 x 8-5/8
86488	S	8 x 8	136738	D	3-3/8 x 3-3/8
86490	S	4-7/8 x 11-3/4	136739	S	5 x 1-1/2
86492	S	4-1/4 x 4-1/4	136740	D	5-1/8 x 5-1/8
86493	D	6 x 6	136741	D	4-13/16 x 4-13/16
86495	S	8-1/2 x 8-1/2	136742	D	4-1/2 x 4-1/2
86496	S	4-3/4 x 4-3/4	136743	D	4-5/8 x 4-5/8
86497	D	7-3/8 x 7-3/8	136744	D	4-1/4 x 4-1/4
86498	S	9 x 9	136745	D	6-3/8 x 6-3/8
89205	D	5-3/4 x 5-3/4	136746	D	6-1/8 x 6-1/8
89206	S	3-5/8 x 7-1/2	136747	D	9-1/8 x 9-1/8
89208	D	6-7/8 x 6-7/8			

Gray Sealant (3M 900 Duct Sealer Fast Bond), P/N 100117

Cabinet Connector & Filler Parts for Multiple Furnaces - Model RGL						
RGL Size	400	500/600	700	800	1050	1200
Top Filler	--	(1)	105631		(2)	105631
Side Filler	--	(2)	105632		(4)	105632
Top & Btm Duct Connector	--	(2)	106338	(2)	106340	(2)
Side Duct Connector	--	(2)	106395		(4)	106395

Code 73 - Vent Cap Extension



Furnace			73 - Extension	
Model	Sizes	Series	Height	P/N
RG, HRG	300, 350, 400	Prior to Series 8 & Series 8	12"	20524
CRG, HCRG	350	Prior to Series 8 & Series 8	12"	20524
	400	Series 8*	*12"	20524

*Prior to Series 8, height was 7-1/4"; part is no longer available.

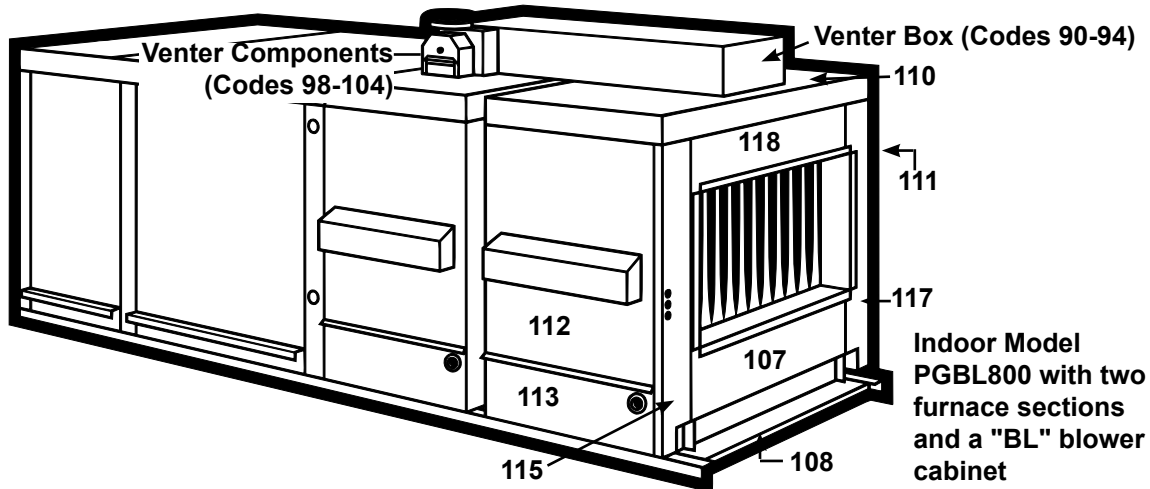
Code	Description	RGL Sizes		Qty	500										600		700, 1050		400, 800, 1200	
		RG/RGB	HRG		75	100	125	150	175	200	225	250	300	350	400	450	500	550		
51	Flue Collection Box Assembly	RG, HRG - All	1	136749	136750	86437	136751	136752	136753	136754	136755	136756	136757	86470						
		CRG, HCRG - All	1	86476	86478	86480	--	86482	--	89207	86484	86486	86487	86489						
52	Collection Box Side Gasket Strip		2	62933																
53	Collection Box Front and Rear Gasket Strip		2	62921	62922	62924	62926	62928	62930	62932										
55	Flue Collar Assembly		1	103786	103788	12014	12015													
56	Flue Restrictor - See Type and Size in chart above.	RG, HRG Series 8**	1	136738	136739	86440	136740	136741	86493	136742	86493	86454	--	--						
		CRG, HCRG - All	1	86492	86479	89205	--	89206	--	89208	89209	89210	86488	86490						
57	Bottom Front & Rear Panel (Sizes 75-100 include insulation)		2	103644	100037	100038	100039	100040	100041	100042										
58	Heater Bottom Pan	Aluminized	1	100000	100001	100002	100003	100004	100005											
		409 Stainless	1	104925	104926	104925	104926	104927	104928	104929	104930									
60	Heater Mounting Rail		2	100126																
61	Top Front and Rear Panel (Sizes 75-100 include insulation)		2	103645	100030	100031	100032	100033	100034	100035										
62	Casing Top Assembly (include insulation)		1	103652	103653	103654	103655	103656	*103657	103658	103659									
63	Heater Upper Left Side Panel Assembly (includes Codes 63A, 63B, 63C, & 63D)		1	103646	103647															
63A	Heater Left Side Panel		1	100116																
63B	Left Side Combustion Air Inlet Screen		1	--	--	--				148396										
63C	Left & Right Side Combustion Air Inlet Shield		1	110697																
63D	Left & Right Side Combustion Air Inlet Angle		1	12649					10850											
67	Heater Right Side Panel Assembly (includes Codes 67A-C, 63C-D)		1	103648					103649											
67A	Heater Right Side Panel		1	100111																
67B	Right Side Combustion Air Inlet Screen		1	--	--	--				148396										
67C	Heater Right Side Panel Handle		1	100112																

Code	Description	RGLB Sizes		Qty												
		RG Sizes			75	100	125	150	175	200	225	250	500	600	700, 1050	400, 800, 1200
68	Heater Bttm Left Side Assembly (includes 68A & 68B as listed)	Natural Gas		1	100298 (includes 68B P/N 102607)								100299 (includes 68B P/N 15021)			
		Propane		1	100298 (includes 68B P/N 102607)											
68A	Heater Bottom Left Side Panel			1	100125											
68B	Vinyl Grommet			1	102607, #1020-K, 1/2"								15021, #1020, 3/4"			
				1												
72	Vent Cap			1	110053, 6"		61857, 8"			61866, 10"			*61875, 61875, 12"			
73	Vent Cap Extension				See Table on page 12.											
74	Left Rear Heater Leg			1	100009			100013								
75	Left Front Heater Leg			1	100007						100011					
76	Right Rear Heater Leg			1	100008	100008	100012	100012	100012	100012	100012	100012	100012	100012		
77	Right Front Heater Leg			1	100006	100006	100010	100010	100010	100010	100010	100010	100010	100010		
78	Baffle			1	10921											
79	Top Seal Brace			2	100162		100163	100164		100165		100166	100167	100168		
80	Hanger Angle			2	11012											
81	"Z" Baffle w/optional extended stack (Opt ZZ) - See chart pg 12.	RG, HRG Series 8**		1	136743	136744	136745	136746	86493	89212	15596	86454	136747	86495	86495	
		CRG, HCRG - All		1	86496	89211	15584	--	86485	--	86488	89212	86497	86498	89213	

* Model CRG300 - Casing Top Assembly, P/N 103656 and Vent cap (10"), P/N 61866

** These replacement parts for Models RG, HRG manufactured prior to Series 8 (5/95) are no longer available; see page 3.

Indoor Packaged Model PGBL Furnace Cabinet and Venter Box Parts

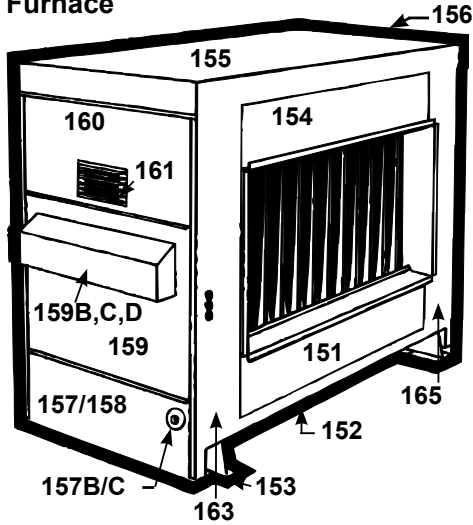


Code	Description	400	800	1200
90	Venter Box Bottom	150971	149851	149852
91	Venter Box Cover	149853	149854	149855
92	Venter Cover End	150974	149856	
93	Venter Gasket	--	149857	
94	Venter Baffle	--	150973	
95	Flow Sensing Probe	151559		
96	Sensor Bracket	123910		
97	Silicone Tubing	151564, 17" Red Tubing	147905, 9" Red Tubing	
98	Venter Housing	151560	151343	
99	Venter Motor	115V/1Ph	87434 Fasco #7162-1775	16074 A. O. Smith #199
		208V/1Ph	30249 Fasco #7162-0186	16074 A. O. Smith #199
		230V/1Ph	29571 Fasco #7162-0158	16074 A. O. Smith #199
		208V/3Ph	30249 Fasco #7162-0186	16075 Century 8-125439
		230V/3Ph	29571 Fasco #7162-0158	16075 Century 8-125439
		460V/3Ph	87434 Fasco #7162-1775	16075 Century 8-125439
	575V/3Ph	87434 Fasco #7162-1775	16074 A. O. Smith #199	
100	Capacitor	163894, Aerovox 2857-MF-B		
101	Venter Wheel	29792 Torrington #AA408228, 1-5/16"	8735 Torrington #AA729-419-7-29/32-4-17/32	
102	Venter Fan	29793		
103	Venter Junction Box	29595		
104	Junction Box Cover	29596		
105	Flue Collection Box Assy (interior)	149859	(2)149859	(3)149859
106	Flue Collar Assy (interior)	150326	(2)150326	(3)150326

Code	Description	400	800	1200
107	Bottom Front & Rear Panel	(2)100042	(4)100042	(6)100042
108	Furnace Bottom Pan	Aluminized	100005	(2)100005 (3)100005
		409 Stainless	104930	(2)104930 (2)104930
109	Heater Mounting Rail	(2)100126	(4)100126	(6)100126
110	Casing Top Assembly (includes insulation)	100050	(2)100050	(3)100050
111	Right Side Panel Assembly (includes Codes 111A-B)	103649	(2)103649	(3)103649
111A	Heater Right Side Panel	100111	(2)100111	(3)100111
111B	Right Side Panel Handle	100112	(2)100112	(3)100112
112	Heater Left Side Assembly (includes Codes 112A-D)	103647	(2)103647	(3)103647
112A	Heater Left Side Panel	100116	(2)100116	(3)100116
112B	Cmbstn Air Inlet Screen	148396	(2)148396	(3)148396
112C	Cmbstn Air Inlet Shield	110697	(2)110697	(3)110697
112D	Cmbstn Air Inlet Angle	10850	(2)10850	(3)10850
113	Bottom Left Side Panel	100299	(2)100299	(3)100299
114	Left Rear Heater Leg	100013	(2)100013	(3)100013
115	Left Front Heater Leg	100011	(2)100011	(3)100011
116	Right Rear Heater Leg	100012	(2)100012	(3)100012
117	Right Front Heater Leg	100010	(2)100010	(3)100010
118	Top Front & Top Rear	(2)100035	(4)100035	(6)100035
119	Baffle	10921	(2)10921	(3)10921
120	Top Seal Brace	(2)100168	(4)100168	(6)100168
121A	Top/Btm Ht Exch Connector	--	(2)106340	(4)106340
121B	Side Heat Exch Connector	--	(2)106395	(4)106395

Model RP Cabinet and Collection Box Parts - Same parts apply to RP duct furnaces in packaged Model Series HRPD, RPB, RPBL, & RPDBL (Quantities listed are per furnace section.)

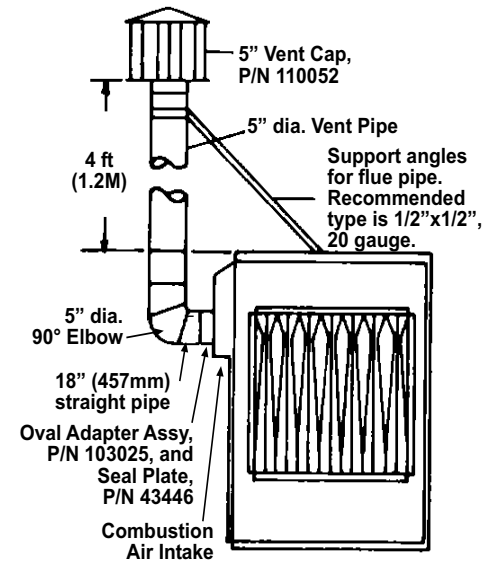
Basic Exterior Parts for Model RP Furnace



Cabinet Connector & Filler Parts for Multiple Furnaces - Models HRPD & RPBL								
HRPD Size	250	300/350	400	500/600	700	800	-	-
RPBL Size	-	-	400	500/600	700	800	1050	1200
Top Filler	111092	111093	111094	105629	105630	105631	(2) 105630	(2) 105631
Gasket	(2) 103605	(2) 103606	(2) 103607	(2) 103608	(2) 103609	(2) 103610	(4) 103609	(4) 103610
Side Filler	(2) 105632					(4) 105632		
Top & Btm Duct Connector	(2) 107427	(2) 107428	(2) 107429	(2) 106338				
Side Duct Connector	(2) 106395						(4) 106395	

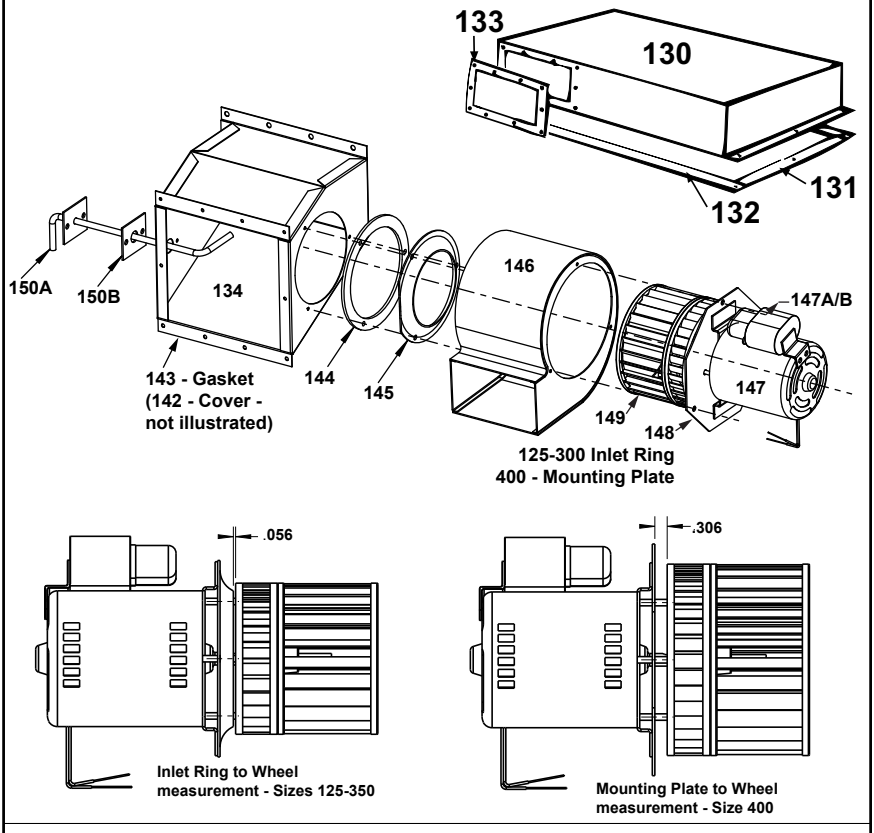
Gray Sealant (3M 900 Duct Sealer Fast Bond), P/N 100117

Code 168 - Vertical Vent Kit, P/N 45021 (Same as Option CC3)

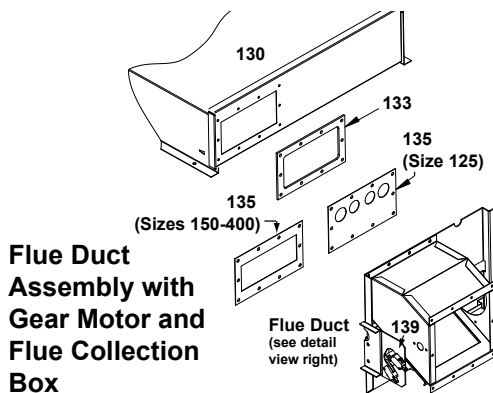


NOTES: Support angles and all piping are field supplied. One kit for each furnace section.

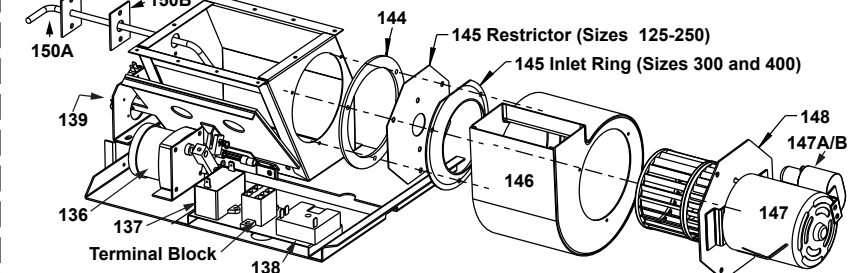
Flue Collection Box and Venter for single furnace RP/RPB Series units without Opt AG 39 or 40, and multiple furnace units (Model HRPD and RPBL) without Option AG 41 or 42 and 2nd and 3rd furnaces on units with Option 41 or 42.



Options AG 39, 40, 41 or 42 (1st furnace only w/Opt AG 41 & 42)



Assembly with Gear Motor and Venter



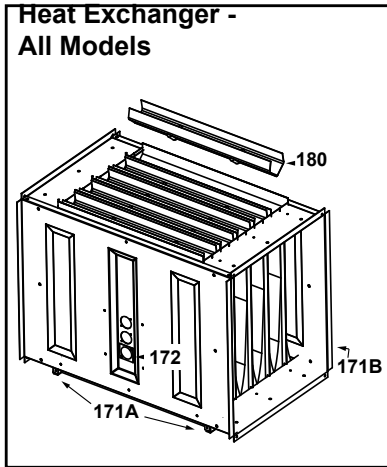
NOTE: AG 39 and 40 apply to RP series models with one furnace. AG 41 and 42 apply to models with more than one furnace (HRPD, RPBL). Flue duct and gear motor parts shown here apply to the first furnace section only.

Code	Description (If special application is not listed, part applies to all Model RP Series units.)	Model (C)(H)(HC)RP(B) Sizes			Qty per furnace section									
		Model RPBL Sizes			125	150	175	200	225	250	300	350	400	
		Model RPDBL Sizes							500	600	700/1050	400/800/1200		
		Model HRPD Sizes			250	300	350	400			500	600	700	800
130	Flue Collection Box Assembly	RP, HRP prior to Series 8			1	92794	92795	92796		92797	92798	88348		
		RP, HRP Series 8			1	88353	88357	136748		88359	92798	88348		
		CRP, HCRP - All (no Series 8)			1	88353	--	88357	--	--	88359	--	88348	
131	Collection Box Side Gasket Strip				2	62933								
132	Collection Box Front and Rear Gasket Strip				2	62922	62924	62926		62928	62930	62932		
133	Flue Duct Gasket				1	31900								
134	Flue Duct Assembly				1	68375 (All except units with Opt AG 39 & 40 & 1st furnace w/Opt AG 41 & 42)								
135	Flue Duct Restrictor				1	174817	175783	175788		175789	175790	--	--	
136	Gear Motor	For RP Series units with Option AG39 or AG40 & 1st furnace with Option AG41 or AG42 manufactured beginning 11/03			1	206144						--	206144	
137	Gear Mtr Capacitor, 15MFD				1	206145						--	206145	
138	Time Delay Relay				2	262337 (*NOTE: To replace relay, P/N 206146, THD7211OSA, order Replacement Kit 262375.)						--	262337 (*See NOTE left.)	
139	Safety End Switch	All AG39, AG40, AG41 & AG42			2	174812						--	174812	
140	Replacement Gear Mtr Kit (to replace solenoid valve)				1	208474						--	208475	
141	Replacement Solenoid Actuator only (select by voltage)	For RP Series units with Option AG39 or AG40 & 1st furnace with Option AG41 or AG42 manufactured prior to 11/03			1	208474 (replaces 174847 (460V))						--	208475 (replaces 174847)	
					1	208474 (replaces 174846 (208/230V))						--	208475 (replaces 174846)	
					1	208474 (replaces 174814 (115V))						--	208475 (replaces 174814)	
142	Flue Duct Cover Plate				1	41995								
143	Cover Plate Gasket				1	41996								
144	Venter Gasket				1	44695								
145	Venter Restrictor (* P/N 62594 is an inlet ring not a restrictor.)	Models RP, HRP			1	43254	43255	43256	43257	43258	43259	43260	43261	--
		Models CRP, HCRP			1	88506	--	68382	--	--	68386	88507	--	88508
		w/Opt AG 39, 40, 41, 42			1	68388	68386	68390	43260	175787	43260	62594*	--	62594*
146	Venter Housing				1	92778						92792		
147	**Venter Motor & Capacitor (If unit was mfgd before 7/94, do not order motor or motor mounting plate (CODE 148). See list of replacement kits on bottom of page.)	115V			1	163891 (replaces 131410)								
		208V			1	163892 (replaces 131415)								
		230V			1	163892 (replaces 131415)								
		460V			1	163893 (replaces 165986)								
		575V			1	163891 (replaces 131410)								
148	**Venter Motor Mounting Plate or Inlet Ring	Model RP, HRP			1	131445						131448		
		Model CRP, HCRP			1	131445						131446		
149	Venter Wheel				1	43425						43814		
150A	Sensing Tube				1	175800								
150B	Sensing Tube Spacer				1	73906								
151	Bottom Front & Rear Panel (Sizes 125-175 include insulation)				2	100272		100273	100039		100040	100041	100042	
152	Heater Bottom Pan	Aluminized			1	100000	100001		100002		100003	100004	100005	
		409 Stainless			1	104925	104926		104927		104928	104929	104930	
153	Heater Mounting Rail				2	100126								
154	Top Front & Rear Panel (Sizes 125-175 include insulation)				2	100295	100296		100032		100033	100034	100035	
155	Casing Top Assembly (includes insulation)				1	100288	100289		100290	100290	100291	100291	100292	100293
156	Heater Right Side Panel Assembly (includes Codes 156A&B)				1	100294								
156A	Heater Right Side Panel				1	100118	100118	100118	100118	100118	100118	100118	100118	100118
156B	Heater Right Side Panel Handle				1	100112	100112	100112	100112	100112	100112	100112	100112	100112
157	Heater Btm Left Side Assy	Natural Gas (includes 157A & B or C)			1	100298						100299		
157A	Heater Btm Left Side Panel				1	100125								
157B	Vinyl Grommet #1020-K, 1/2"				1	102607						--	--	--
157C	Vinyl Grommet #1020, 3/4"				1	--	--	--	--	--	--	15021		
158	Heater Btm Left Side Assy	Propane (includes Codes 157A&B)			1	100298								
159	Heater Center Left Side Panel Assy (includes Codes 159A-D)				1	103660	100318							
159A	Heater Center Left Side panel (panel only)				1	100297								
159B	Combustion Air Inlet Screen				1	148396								
159C	Combustion Air Inlet Shield				1	110697								
159D	Combustion Air Inlet Angle				1	12649	10850							
160	Heater Top Left Side Panel				1	100115								
161	Grill Assembly				1	41992								
162	Left Rear Heater Leg				1	100013								
163	Left Front Heater Leg				1	100011								
164	Right Rear Heater Leg				1	100012								
165	Right Front Heater Leg				1	100010								
166	Hanger Angle				2	11012								
167	Top Seal Brace				2	100163	100164	100165		100166	100167	100168		
168	Vertical Vent Kit, P/N 45021 - See illustration, page 14.													

**** Codes 147 & 148**, replacement venter motor and venter motor mounting plate, apply to units manufactured *after the dates* shown in the table *right*.
For units manufactured prior to the dates listed, replacing a venter motor must be done with a venter motor replacement kit that includes a new motor mounting plate.

Venter Motor Replacement Kits		
Voltage	P/N	Applies to Heaters Manufactured
115V	132377	prior to 7/94 (Serial No. Code ATG)
208V or 230V	132378	prior to 7/94 (Serial No. Code ATG)
460V	132379	prior to 3/94 (Serial No. Code ATC)
575V	132377	prior to 7/94 (Serial No. Code ATG)

Heat Exchanger & Components - Applies to all Models (one heat exchanger per furnace section; directional baffles apply as listed)



Code	Description	Model (C)(H)(HC)RG/RP(B) Sizes							Qty per furnace section	
		Model RPBL, RGBL, PGBL Sizes			Model RPDBL Sizes					
		Model HRPD Sizes								
		Model HRPD Sizes								
170	Heat Exchanger	Aluminized Steel	44301	44304	44307	44310	44313	44316	44319	1
		409 Stainless Steel	44302	44305	44308	44311	44314	44317	44320	1
171A	Burner Rack Slide Rail		9897	9857	9819	9781	9745	9709	9517	2
171A	Burner Rack Back Brace		9525							1
172	Gasket for Fan Control, Limit Control, Patch Plate		17083							2
173	Patch Plate (not illustrated)		9814							1
			55101							
174	Support Bracket RG,CRG,RP,CRP & "B" Models		(2)	(2)	(2)	(2)	(4)	(4)	(4)	>
			45399							
175	Finger Baffle RG,CRG,RP,CRP & "B" Models		(3)	(4)	(6)	(8)	(11)	(13)	(15)	>
176	Btm Baffle Sprrt RG,CRG,RP,CRP & "B" Models		46478	46484	46489	46494	46499	46504	46509	1
177	Rear Top Baffle Support		55103	55104	55106	55108	55110	55112	55114	1
178	Rear Top Baffle		55116	55117	55119	55121	55123	55125	55127	1
179	Side Finger Baffle RG, CRG, RP, CRP & "B" Models		55128							2
			85727 ("V" Baffle)							
180	Heat Exchanger Tube Baffles	Series 8 - All Models; Prior to Series 8 - "C" Models Only	(4)	(5)	(7)	(9)	(12)	(14)	(16)	>
181	High CFM Conversion Kit (RP duct furnace only)		263308 (to convert Model RP to allow for higher CFM)							1

Heat Exchanger Directional Air Baffles

1) Models RG, CRG, RGB, CRGB, RP, CRP, RPB, CRPB are equipped with a heat exchanger directional air baffle assembly as illustrated below (right).

NOTE: Beginning 1/2012, RPB units are built with or without these heat exchanger baffles depending on the CFM on the original order. When replacing a heat exchanger, check to see if the baffle assembly can be salvaged. If

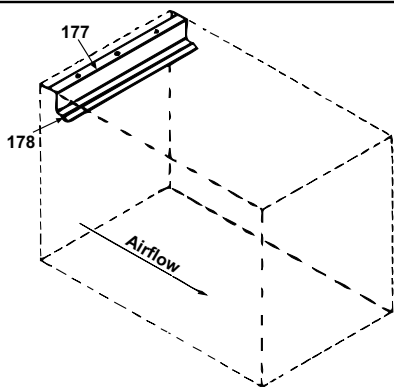
the baffle assembly cannot be salvaged, it will be necessary to order the parts (Codes 174-179) in the quantities listed and assemble and install replacement baffles.

2) Models HRG, HCRG, HRP, HCRP, HRGB, HCRGB, HRPB, HCRPB, and the discharge furnace only on Models HRPD, RGBL, CRGBL, RPBL, and CRPBL are equipped with only a rear top baffle support (Code 177) and a rear top baffle (Code 179). If these

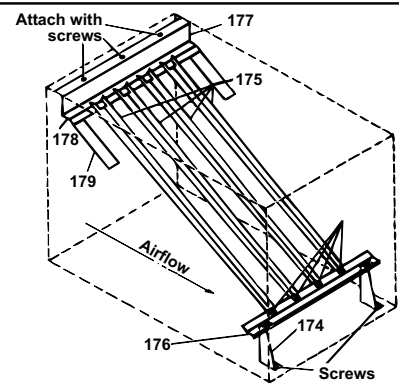
parts cannot be salvaged, order and install replacements. These parts are not installed in the replacement heat exchanger at the factory. They must be ordered separately and installed in the field.

NOTE: See page 3 for no-longer-manufactured models. Effective 9/11, HRP is no longer available but a high CFM conversion kit is available for Model RP units; see Code 181 above.

Heat Exchanger Baffle in an "H" Model and "BL" Discharge Furnace only

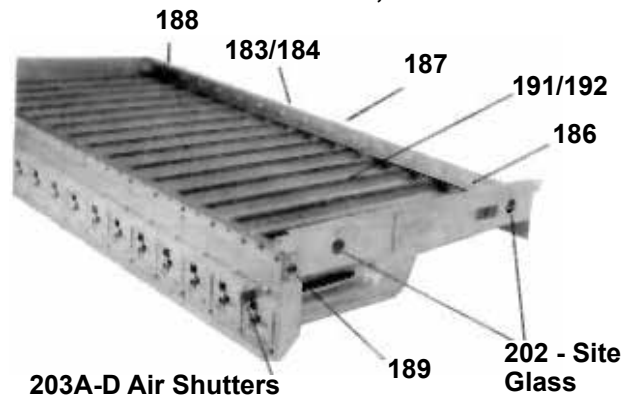


Heat Exchanger Baffles - apply to Models listed in 1) above

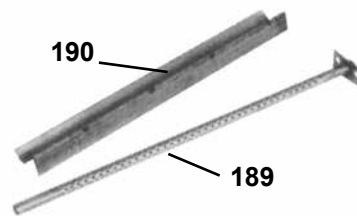


Burner Rack and Components - all Models as listed in the Table (one per furnace section)

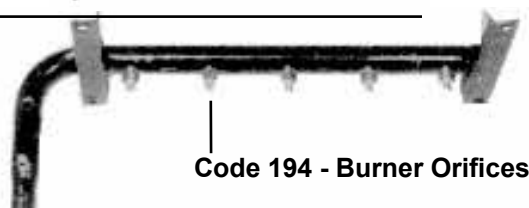
Codes 183/184 - Burner Rack, All Models



Carryover Tube and Drip Shield



Code 193 - Manifold



Main Burner Orifice - Drill Size to P/N

Size	41	42	43	44	45	55	1.20mm	1.45mm	1.50mm
P/N	11792	84437	11828	11833	38678	11830	63003	61652	93410

Carryover Orifice - Drill Size to P/N

Size	70	65	59	57	56	54
P/N	9870	9680	10370	38274	9791	9792

Code	Description	Model (C)(H)(HC)RG/RP(B) Sizes														
		75	100	125	150	175	200	225	250	300	350	400				
		Model RPBL, RGBL, PGBL Sizes											500	600	700, 1050	400, 800, 1200
		Model RPDBL Sizes											1000	1200	1400	800 / 1600
Model HRPD Sizes												500	600	700	800	
183	Burner Rack Aluminum with Carryovers & Air Shutters	65972	65973	65974	65975	65976	65977	65978								
	Burner Rack Stainless Steel with Carryovers & Air Shutters	65980	65981	65982	65983	65984	65985	65986								
184	Replacement Burner Rack Stainless Steel with Carryovers for RP units with Gas Control Option AG 39, 40, 41 and 42	--	--	92813	92814	92814	92815	92815	92816	92816	--	92818				
185	Flash Carryover (one piece)	63128	63131	63138	--	--	--	--	--	--	--	--	--			
186	Flash Carryover Right Section	--	--	--	--	--	63148	63141	63148	63152						
187	Flash Carryover Center Section	--	--	--	--	--	--	--	63156	68071						
188	Flash Carryover Left Section	--	--	--	--	--	--	--	63144							
189	Carryover Lighter Tube (Tube only)	9899	9859	9821	9783	9747	9711	9520								
190	Carryover Lighter Tube Drip Shield	15015	15014	15013	15012	15011	15010	14957								
191	Main Burner Tube - Aluminized	85218														
	Qty per burner assembly	(4)	(4)	(5)	(7)	(7)	(9)	(9)	(12)	(12)	(14)	(16)				
192	Main Burner Tube - Stainless Steel	87954														
	Qty per burner assembly	(4)	(4)	(5)	(7)	(7)	(9)	(9)	(12)	(12)	(14)	(16)				
193	Manifold (less orifices)	86338	86339	86340	86342	86343	86344	86345								
194	Burner Orifice Size - See Table bottom of page 16 for P/N's.	(H)RG; PGBL Natural Gas	All Series	45	41	41	43	41	43	41	44	41	41	41		
		(H)CRG Natural Gas	All Series	45	43	43	--	43	--	43	45	43	43	43		
		(H)RP Natural Gas	Prior to Series 8	--	--	42	44	42	43	42	44	42	42	42		
			Series 8	--	--	42	44	42	43	42	44	42	42	42		
		(H)CRP Natural Gas	Prior to Series 8	--	--	43	--	43	--	--	45	43	--	43		
		(H)RG; PGBL Propane	All Series	1.20mm	1.45mm	1.45mm	55	1.45mm	55	1.45mm	55	1.45mm	1.45mm	1.45mm		
		(H)CRG Propane	All Series	1.20mm	55	55	--	55	55	55	1.20mm	55	55	55		
		(H)RP Propane	Prior to Series 8	--	--	1.45mm	55	1.45mm	55	1.45mm	55	1.45mm	1.45mm	1.45mm		
Series 8	--		--	1.45mm	55	1.45mm	55	1.45mm	55	1.45mm	1.45mm	1.45mm				
(H)CRP Propane	Prior to Series 8	--	--	55	--	55	--	--	1.20mm	55	--	55				
195	Carryover Orifice Size - See Table bottom of page 16 for P/N's.	(H)RG Natural Gas	All Series	70	70	70	65	65	59	59	59	59	54	54		
		(H)CRG Natural Gas	All Series	70	70	70	--	65	--	59	59	59	54	54		
		(H)RP Natural Gas	Prior to Series 8	--	--	70	65	65	65	65	59	59	57	56		
			Series 8	--	--	70	65	65	65	65	59	59	57	56		
		(H)RP Natural Gas with AG 39, 40, 41, or 42	--	--	70	65	65	65	65	59	59	--	56			
		(H)CRP Natural Gas	Prior to Series 8	--	--	70	--	65	--	--	59	59	--	56		
		(H)RG Propane	All Series	70	70	70	65	65	65	65	59	59	56	56		
		(H)CRG Propane	All Series	70	70	70	--	65	--	65	59	59	56	56		
		(H)RP Propane	Prior to Series 8	--	--	70	65	65	65	65	59	59	57	56		
			Series 8	--	--	70	65	65	65	65	59	59	57	56		
(H)CRP Propane	Prior to Series 8	--	--	70	--	65	--	--	59	59	--	56				

Burner Rack and Components (cont'd) - (one per furnace section)

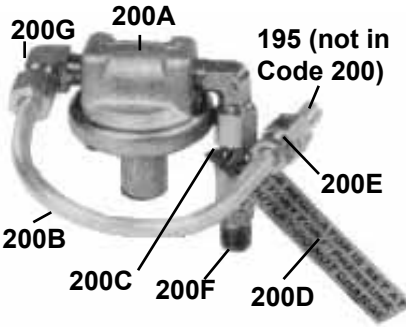
Manual Gas Valves
Reference: For electric valves, see Form P-VALVES


Pilot Shutoff Valve, P/N 3284



Ball Valve Adapter 1", P/N 110758; 1-1/4", P/N 110759; 1/2", P/N 120373; 3/4", P/N 120169



125 PSIG Gas Valve 1", P/N 159725; 1-1/4", P/N 159729


Aluminum Shutoff Valves 1/2", P/N 196910, with Union, P/N 15971; 3/4", P/N 196911, with Union, P/N 15972


Code 200 - Carryover Regulator Assembly for Propane


Carryover Tubing - Natural Gas


Burner Air Shutter Hardware 203B


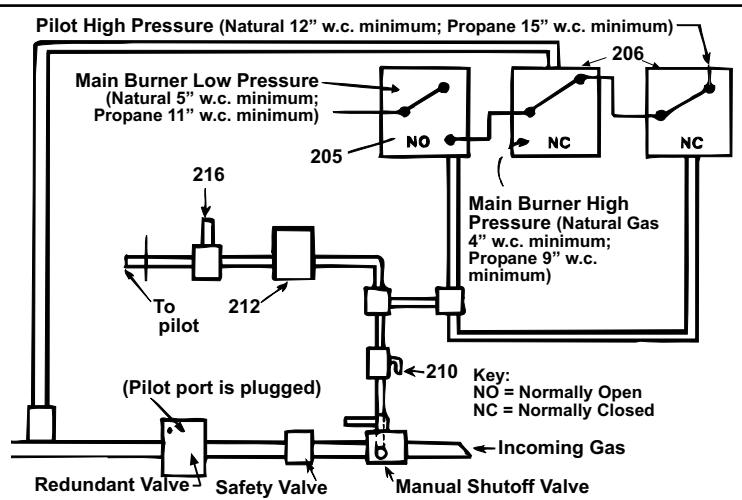
Code 204 - Carryover Regulator for Furnace Sections with Electronic Modulation Opt AG39, AG40, AG41, or AG42

See Code 11, pg 9, for location.

Code	Description	P/N
200	Carryover Regulator Assembly (includes Codes 200A-G)	100712
200A	Carryover Regulator, Maxitrol RV-12, Propane Gas	11294
	Carryover Regulator, Natural Gas w/Opt AG 39, 40, 41, 42	11294
200B	Carryover Regulator	1/4x5-1/2" 9681
200C	Tubing	1/4x1-1/4" 11892
200D	Carryover Regulator Tag	11935
200E	Carryover Regulator Fitting (Compression Fitting)	9664
200F	Carryover Regulator Fitting, Regulator to Manifold	1436

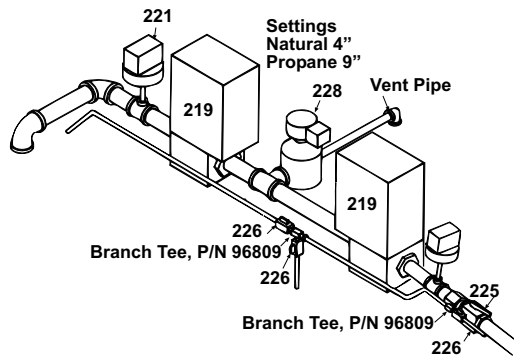
Code	Description	P/N
200G	(2) Carryover Regulator Fitting, 90° Brass Elbow	18224
201A	Carryover Tubing, Natural Gas	93389
201B	Brass Elbow	93388
201C	Compression Fitting	9664
202	(2) Burner Rack Isinglass	10756
203A	Air Shutter Adjustment Screw, 1/4-20 x 2-1/2" long	10653
203B	(2) Air Shutter Screw Nut, 1/4" -20	10650
203C	Air Shutter Slide Tinnerman Nut, 1/4"-20 (not illustrated)	10651
203D	Air Shutter Adjustment Instruction Tag	11934
204	Carryover Regulator, Natural Gas w/Opt AG 39, 40, 41, 42	11294

Special Manifolds

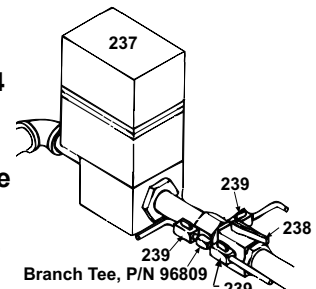
Code	Description	P/N
Components for Illinois School Code Manifold (Option BM12 is no longer required but was available on all sizes of RG, RP, RGB, RPBL, RGB, RPBL, and PGBL)		
205	Low Gas Pressure Switch, see page 9, Code 8 or 9	
206	High Gas Pressure Switch, see page 9, Code 10	
207	Vent Limiter, Maxitrol A1209, see page 9	
208	Pressure Switch Brackets	(3-7)100261
209	Manual Gas Valve (one per unit), page 17	
210	Manual Pilot Shutoff (one per unit), page 17	
211	Safety Solenoid Valve (one per unit)	88242
212	Pilot Valve (one per unit)	25787
213	Pilot Valve Bracket	100262
214	Relay SPDT - Order Replacement Kit, P/N 263527	
215	Relay SPST - Order Replacement Kit, P/N 263527	
216	Pilot Regulator, Maxitrol 400S	86965
217	Switch Push Button (Alarm Silencing)	110130
218	Alarm Bell (Adaptable Edwards #340-465, 24V)	110131



Codes 219-236 - IRI, Option BM13 (applies to Model RPBL 1050 and 1200 and Model PGBL 1200) - Not manufactured after 9/2003.



Codes 237-249 - FM, Option BM14 is no longer required but was available on Model Series RPBL and PGBL)



Code	Description	P/N
Components for FM Manifold (Option BM14 is available on Model RPBL and (C)RGLB 500-1200, and PGBL 1200)		
237	Fluid Power Valve	89356
	Fluid Power Valve Actuator	86993
238	Manual Shutoff and Ball Valve Adapter, page 17	
239	Pilot Manual Shutoff (one per unit), page 17	
240	Pilot Valve (one per furnace)	25787
241	Pilot Valve Bracket	100262
242	Pilot Regulator	86965
243	Transformer 230/460/575 to 115V, 300VA	105202
	Transformer 208 to 115V, 250VA	86991
244	Valve Box Top	110211
245	Valve Box Inlet Side	110195
246	Valve Box Plain Side	110196
247	Valve Box Back	110212
248	Top Door	110213
249	Bottom Door	110214

Code	Description	P/N	Code	Description	P/N
Components for IRI Manifold (Option BM13 is available on Model PGBL 1200 and RPBL 1050 and 1200) - not mfgd after 9/2003					
219	Fluid Power Valve	(2)89356	229	Transformer 230/460 to 115V, .5KVA	86997
	Fluid Power Valve Actuator	(2)86993		Transformer 208 to 115V, .5KVA	86998
220	Low Gas Pressure Switch, pg 9, Code 8 or 9			Transformer 208 to 115V, 250VA	86991
221	High Gas Pressure Switch, pg 9, Code 10			Transformer 230/460/575 to 115V, 300VA	105202
222	Vent Limiter, Maxitrol A1209, pg 9 (2)123481		230	Pilot Regulator	(3)86965
223	Vent Solenoid Valve	86996	231	Valve Box Top	110194
224	Pilot Valve (one per unit)	25787	232	Valve Box Inlet Side	110195
225	Manual Shutoff & Ball Valve Adapter, pg 17		233	Valve Box Plain Side	110196
226	Pilot Manual Shutoff (1 per unit), page 17		234	Valve Box Back	110197
227	RBM Relay - Order Replacement Kit, P/N 263527.		235	Top Door	110198
228	Pilot Valve Bracket	(2)100262	236	Bottom Door	110199

Code 223 - Vent Valve, G/C #S262, P/N 86996



Codes 211, 212, 224, 240 - Solenoid Valve



1/4", P/N 25787
3/4", P/N 88242
1", P/N 112922

Codes 219 and 237



Valve only (used with actuator on the right)

Size	Gas	P/N	M/H
1"	N or P	86992	V5055A1004
1-1/4"	N or P	89356	V5055A1012
2"	N or P	91079	V5055A1038

P/N 86993 Actuator (M/H V4055A1007)



Code 216, 247 - Pilot Regulator, Maxitrol R400S, P/N 86965



Springs for R400S Pilot Regulator

Maxitrol #	Color	Pressure Range	Approx Length.
R400B10-13	Brown	1.0 to 3.5" w.c.	1-9/16 to 2"
R400B10-25	Cadmium Plate	2.0 to 5.0" w.c.	1-9/16 to 2"
R400B10-36	Cadmium Plate	3.0 to 6.0" w.c.	1-9/16 to 2"
R400B10-38	Pink	3.0 to 8.0" w.c.	1-9/16 to 2"

Code 213, 229, 241 - Pilot Valve Bracket in Options BM12, BM13, BM14

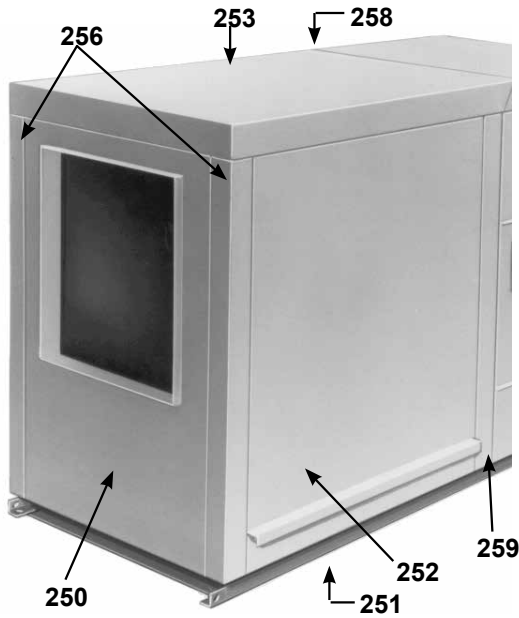
P/N 100262



Illinois School Code Remote Console with Alarm Bell and Silencing Buttons
Console Box, P/N 107010
Light, P/N 101889



Cabinet Parts for "B" Type Blower Cabinet Section - Applies to Model Series RGB and RPB
(For Blower Cabinet Models RBA and RBHA, see pages 43-44.)



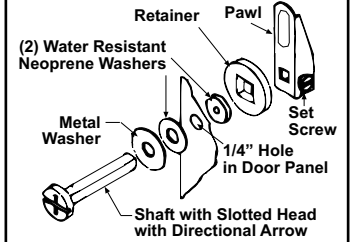
Cross-Reference of End and Bottom Panel Options to Cabinet Openings

Cabinet Option	End Panel			Btm Panel		
	30% Open	Solid	100% Open	Solid	100% Open	
Std			X	X		
AR-4		X			X	
AR-6	X				X	
AR-7	X				X	
AR-8			X	X		
AR-9			X	X		
AR-11			X		X	
AR-12			X		X	
AR-13			X		X	
AR-14			X		X	
AR-15			X		X	
AR-16			X		X	
AR-17			X		X	
AR-18			X		X	
AR-23			X		X	
AR-24			X		X	
D1			X		X	
D2			X	X		
D3			X		X	
D4			X	X		

Replacement Door Latch Kit, P/N 112974

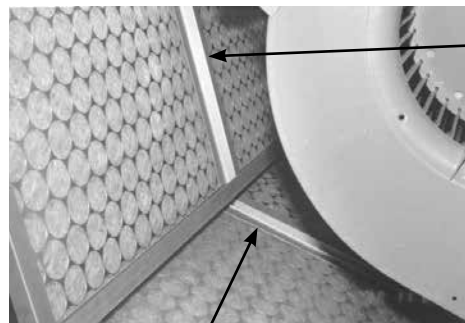
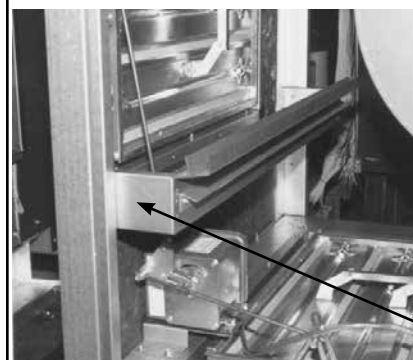


Assembly sequence for installing replacement door latch.



Code	Model (C)(H)RGB/RPB Sizes	75/100/125	150/175	200/225	250/300	350	400
250	End Panel Assembly - solid (no opening)	103617	103618	103619	103620	103621	103622
	End Panel Assy - solid (no opening) w/double-wall construction (Opt AY3)	105547	105548	105549	105550	105551	105552
	End Panel Assembly - 30% opening	105111	105112	105113	105114	105115	105116
	End Panel Assy - 30% opening w/double-wall construction (Opt AY3)	105553	105554	105555	105556	105557	105558
	End Panel Assembly - 100% opening	103638	103639	103640	103641	103642	103643
	End Panel Assy - 100% opening w/double-wall construction (Opt AY3)	105541	105542	105543	105544	105545	105546
251	Bottom Panel Assembly - solid (no opening)	103752	103753	103754	103755	103756	103757
	Bottom Panel Insulation Retainer - solid (no opening)	110963	110964	110965	110966	110967	110968
	Bottom Panel Assembly - 100% opening	103562	103563	103564	103565	103566	103567
	Bottom Panel Insulation Retainer - 100% opening	110970	110971	110972	110973	110974	110975
252	Blower Door - standard	(2) 100347					
	Blower Door - w/double-wall construction (Opt AY3)	(2) 104115					
253	Blower Cabinet Top Assembly	103598	103599	103600	103601	103602	103603
254	Blower Cabinet Top Insulation Retainer	100246	100247	100248	100249	100250	100251
255	Corner Post	(2) 114761					
256	Corner Post Cap	(2) 100072					
257	Cabinet Leg	(2) 100027					
258	Cabinet Leg Cap Right	100069					
259	Cabinet Leg Cap Left	100071					
260	Filter Rack Middle Assembly	104058	104059	104060	104061	104062	104063
261	Filter Rack Bottom Assembly	104072	104073	104074	104075	104076	104077
262	End Panel and Filter Support Assembly	104079	104080	104081	104082	104083	104084
265	Blower Top Door Seal Angle	(2) 111023					(2) 111024
266	Top End Panel Seal Angle	110977	110978	110979	110980	110981	110982

Filter Rack and Blockoff Plates



Horizontal Blockoff Plate

Vertical Blockoff Plate



For Replacement P/N's for Blockoff Plates and Filters, see pages 37-38.

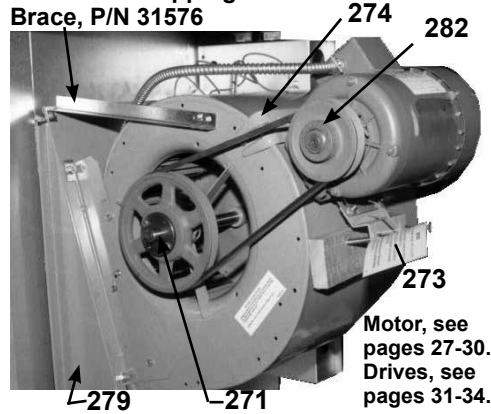
Cabinet Parts for "B" Type Blower Cabinet Section - Applies to Models RGB & RPB (cont'd)

Code	Model (C)(H)RGB/RPB Sizes	75/100	125	150/175	200/225	250/300	350	400
270A	Blower - Housing, Shaft, Wheel & Bearings	1357, Lau A10-10AC		1360, Lau A12-12AC		--	--	--
270B	Blower - Right Hand Housing & Wheel only	--	--	--	--	24229, Lau 2A10-10A	24231, Lau 2A12-12A	
270C	Blower - Left Hand Housing & Wheel only	--	--	--	--	24230, Lau 2A10-10A	24232, Lau 2A12-12A	
271	Blower Shaft	11302, 3/4 x 22		11303, 1 x 22		10120, 1 x 39-1/4	10121, 1 x 44-5/8	
272	Blower Shaft Bearings	(2) 7310				(2) 10437		
273	Mtr Adjustment Brckt Assy - 1/4-3/4 HP Mtrs				44411			
273A	Hardware Bag only for Code 273				64940			
274	Motor Mounting Strap - for 1/4 - 3/4 HP Mtrs	44409		44410		44409	44410	
275	Motor Mounting Plate - 1-3HP Motor	12578		12579		12578	12579	
	Motor Mounting Plate - 5HP Motor	--	--			12578		
276	Motor Left Support - 1-5 HP Motor				12576			
277	Motor Right Support - 1-5 HP Motor				12577			
278	Rod Bolt for Mtr Mntng - 1-5 HP Motor				(2) 12489			
279	Adapter Back for Blower	193986	194054	194093		193988	194063	194064
280	Blower Adapter Top and Bottom	(2) 53277	--	--	--	--	--	--
281	Blower Adapter Sides	(2) 53278	--	--	--	--	--	--
282	Blower Key				19361			

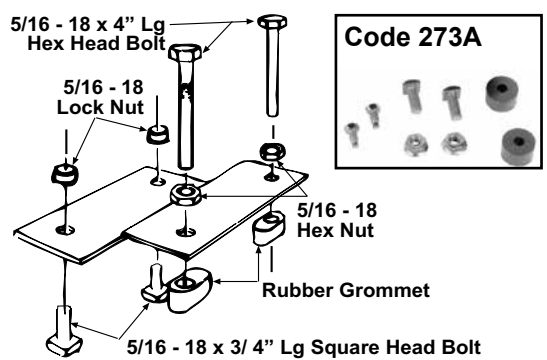
Blower Adapter - Sizes 75-100



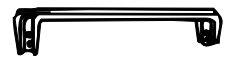
Blower with a 1/4 - 3/4 HP Motor Horizontal Shipping Brace, P/N 31576



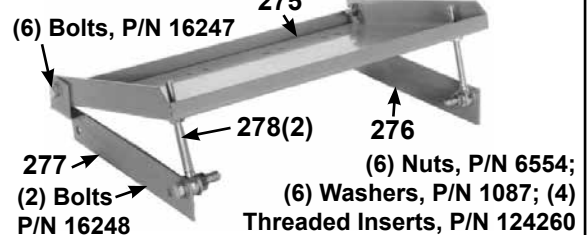
273 - Motor Adjustment Bracket and Hardware for 1/4 - 3/4 HP Motor



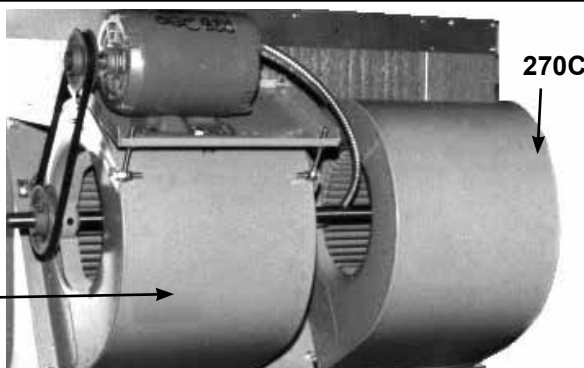
274 - Mounting Bracket for 1/4 - 3/4 HP Motor



Motor Mounting Plate & Hardware for 1-5 HP Motor



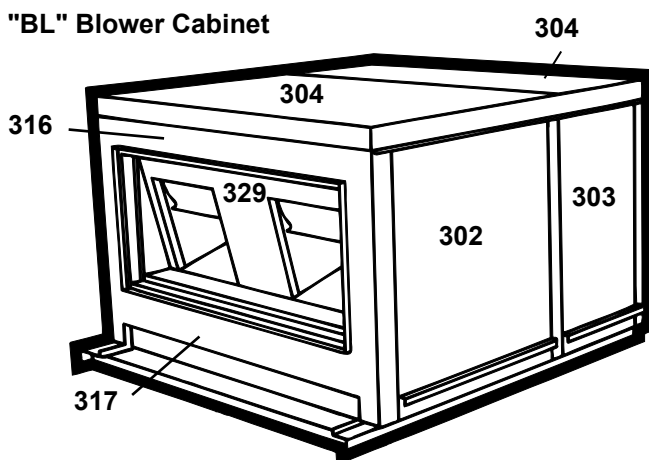
Left and Right Blowers (Sizes 250-400) with a 1-5 HP Motor



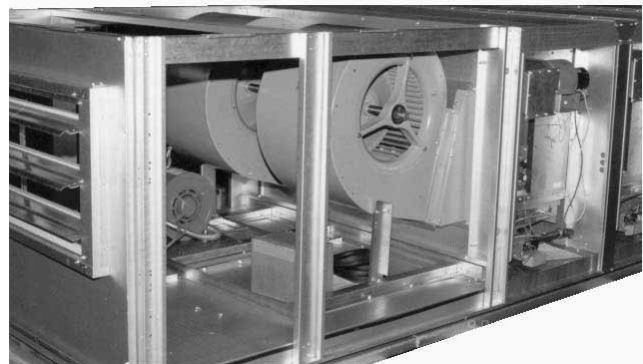
Cabinet Parts for "BL" Type Blower Cabinet Section - Applies to RGBL, RPBL & PGBL

(For Model RBL cabinet parts, see pages 43-44.)

"BL" Blower Cabinet



View of a "BL" Type Blower Cabinet with the Access Panels Removed (with less than 5HP motor)



For replacement filters and blockoff plates, see pages 37 and 38

Code	Model RPBL, RGLB, PGBL Sizes	500/600	700/1050	400/800/1200	
300	Cabinet Bottom - Right Half - solid (no opening)	106242		106244	
	Cabinet Bottom - Left Half - solid (no opening)	106238	106239	106240	
	Cabinet Bottom - Right Half - return air opening	105606	105607	105608	
	Cabinet Bottom - Left Half - return air opening	104365	104366	104367	
301	End Panel Assembly - solid (no opening)	103620	103621	103622	
	End Pnl Assy - solid (no opening) w/double-wall cnstrctn (Opt AY3)	105550	105551	105552	
	End Panel Assembly - 30% opening	105114	105115	105116	
	End Pnl Assy - 30% opening w/double-wall construction (Opt AY3)	105556	105557	105558	
	End Panel Assembly - 100% opening	103641	103642	103643	
302	Filter Cabinet Assembly - w/double-wall construction (Opt AY3)	105544	105545	105546	
	Blower Door - standard	(2) 100347			
303	Blower Door - w/double-wall construction (Opt AY3)	(2) 104115			
	Filter Cabinet Door Assembly	(2) 106276			
304	Filter Cabinet Assembly - w/double-wall construction (Opt AY3)	(2) 107350			
	Blower Cabinet Front Top Section Assembly	106280	106281	106282	
305	Blower Cabinet Rear Top Section Assembly	106286	106287	106288	
	Blower Cabinet Top Insulation Retainer	107350	107351	107352	
306	Filter Cabinet Top Insulation Retainer	107354	107355	107356	
307	BL Cabinet Leg #1, Left	105603			
308	BL Cabinet Leg #2, Right	105604			
309	Corner Post	(2) 114761			
310	Cabinet Leg Cap Left	100069			
311	Cabinet Leg Cap Right	100071			
312	Cabinet Intermediate Post	(2) 114762			
313	Cabinet Intermediate Post Cap	(2) 104372			
314	Corner Post Cap	(2) 100072			
315	Cabinet Top Front Panel	105610	105611	105612	
316	Cabinet Bottom Front Panel	105614	105615	105616	
317	Cabinet Vertical Blower Support Left	106299			
318	Cabinet Vertical Blower Support Right	106943			
319	Cabinet Horizontal Blower Support	(2) 31576			
320	Cabinet and Panel Support	100078	100079	100080	
321	Cabinet Top Support	105600	105601	105602	
322	Cabinet Bottom Filter Rack Assembly *	Mfgd beginning 9/91 - for 1" fltrs	114711	114712	114713
		Mfgd beginning 9/91 - for 2" fltrs	114715	114716	114717
323	Cabinet Rear Filter Rack Assembly *	Mfgd beginning 9/91 - for 1" fltrs	(2) 114707	(2) 114708	(2) 114709
		Mfgd beginning 9/91 - for 2" fltrs	(2) 114703	(2) 114704	(2) 114705
324	Cabinet Front Filter Rack Assembly *	Mfgd beginning 9/91 - for 1" fltrs	(2) 114695	(2) 114696	(2) 114697
		Mfgd beginning 9/91 - for 2" fltrs	(2) 114691	(2) 114692	(2) 114693
325	Cabinet Top Filter Rack Assembly *	Mfgd beginning 9/91 - for 1" fltrs	114719	114720	114721
		Mfgd beginning 9/91 - for 2" fltrs	114723	114724	114725
328	Top Door Seal	(2) 95487	(2) 95487	(2) 95487	
329	BL Blower Cabinet Adapter Back Assy	RGLB, RPBL, RBL	163833	163834	106294
		PGBL	--	--	148429
330	BL Cabinet Motor Mounting Plate Assembly	106295			
331	BL Cab Mtr Mounting Support Assy	< 15HP motor	(2) 106698		
		15 & 20 HP & all units w/Opt PC12 vibration isolation	149008		
332	BL Cab Mtr Adjustment Angle	< 15HP motor	105633		
		15 & 20 HP & all units w/Opt PC12 vibration isolation	149010		
333	Motor Adjustment Bolt 3/8 - 16 x 7" lq	106275			
334	Adjustment Bolt Hex Nut 3/8 - 16	1438			
335	BL Cabinet Blower (Housing & Wheel) Lau 15 x 9, 1-3/16	(2) 106296	--	--	
336	BL Cabinet Blower (Housing & Wheel) Lau 15 x 11, 1-3/16	--	(2) 14469		
	Blower Shaft 1-3/16 x 37" long	106297	--	--	
	Blower Shaft 1-3/16 x 42-1/2" long	--	106298		
337	Blower Shaft 1-3/16 x 48" long	--	--	13589	
	Blower Bearing FAFAIR 1-3/16" #E8317	(2) 14474	(3) 14474		
339	Vertical Blower Support - Right	< 15HP motor	106943		
		15 & 20 HP & all units w/Opt PC12 vibration isolation	149520		
340	Vertical Blower Support - Left	< 15HP motor	106299		
		15 & 20 HP & all units w/Opt PC12 vibration isolation	149521		
341	Bearing Bracket, A15-11A	(2) 24233	(3) 24233		
342	Heavy Duty Blower Right Lau 15 x 9 (15-20HP motors)	106935	--	--	
343	Heavy Duty Blower Left Lau 15 x 9 (15-20HP motors)	106936	--	--	
344	Heavy Duty Blower Right Lau 15 x 11 (15-20HP motors)	--	106937		
345	Heavy Duty Blower Left Lau 15 x 11 (15-20HP motors)	--	106938		
346	Blower Shaft Key (used with heavy duty blowers)	(4) 134638			
	Blower Shaft Heavy Duty Blower 1-7/16 x 42" long	106939	--	--	
347	Blower Shaft Heavy Duty Blower 1-7/16 x 47-1/2" long	--	106940		
	Blower Shaft Heavy Duty Blower 1-7/16 x 53" long	--	--	106941	
348	Pillow Block Bearing, 1-7/16 Bore, Dodge P2BS2107R	(2) 170108 (replaces P/N 106942)			
349	Class II Blower Support - Right Side	149520			
350	Class II Blower Support - Left Side	149521			
351	Air Flow Switch Pitot Sense Probe (part of Opt BW1) See page 22.	111733			

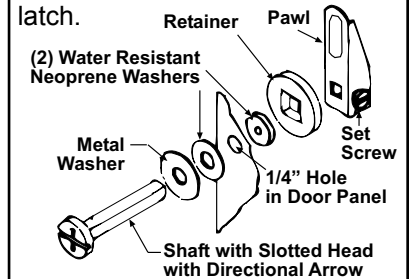
Cross-Reference of End and Bottom Panel Options to Cabinet Openings

Cabinet Option	End Panel		Btm Panel	
	30% Open	Solid	100% Open	100% Solid
Std			X	X
AR-4		X		X
AR-6	X			X
AR-7	X			X
AR-8			X	X
AR-9			X	X
AR-11			X	X
AR-12			X	X
AR-13			X	X
AR-14			X	X
AR-15			X	X
AR-16			X	X
AR-17			X	X
AR-18			X	X
AR-23			X	X
AR-24			X	X
D1			X	X
D2			X	X
D3			X	X
D4			X	X

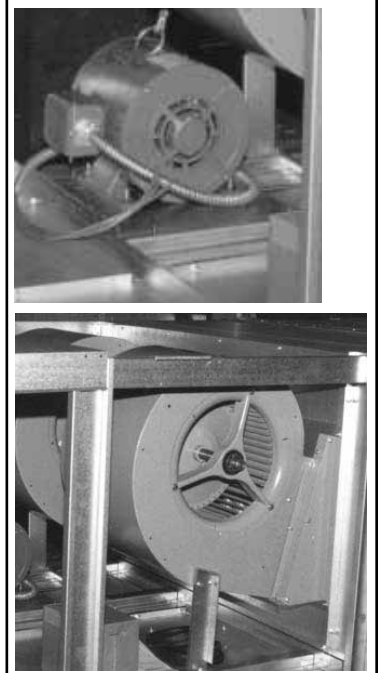
Replacement Door Latch Kit, P/N 112974



Assembly sequence for installing replacement door latch.



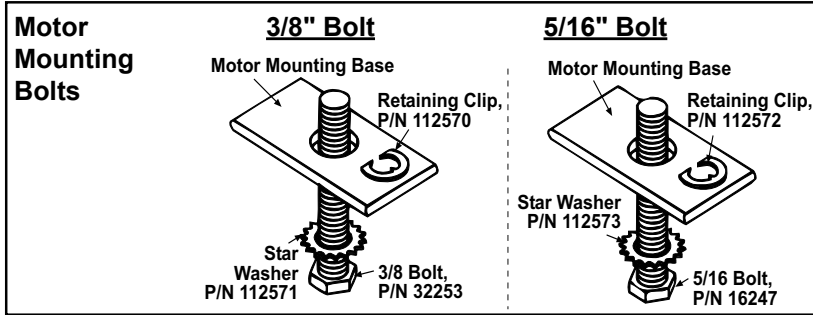
Blower, Bearing Support, and Motor - up to a 5 HP Motor



* Filter rack parts and filter clamps used on these "BL" cabinet Models manufactured prior to 9/91 are no longer available.

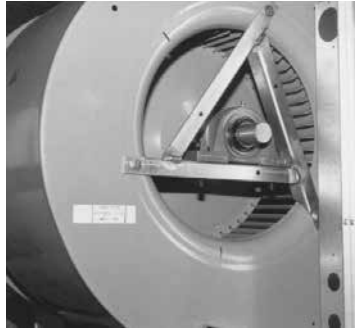
Cabinet Parts for "BL" Type Blower Cabinet Section

- Applies to RGBL, RPBL & PGBL (cont'd)

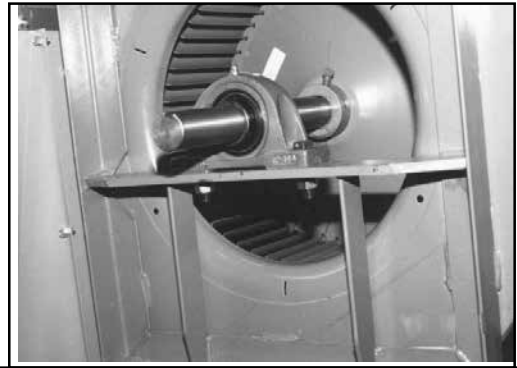


Blower Triangular Bearing Mounting for RGBL/RPBL/PGBL with a 7-1/2 or 10 HP Motor

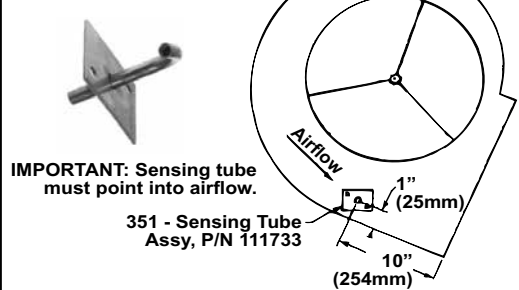
Description	P/N
Left Bearing support Assy	112971
Right Bearing Support Assy	112972
Pillowblock Bearing 1-3/16"	(2) 112973
90° Grease Fitting	(2) 195834
7/16-14 x 3/4" Cap Screw	(4) 163335
1/4-20 Cap Screws	(6) 16246
1/4-20 Lock Nut	(6) 10650



Blower & Bearing w/ 15 or 20 HP Motor

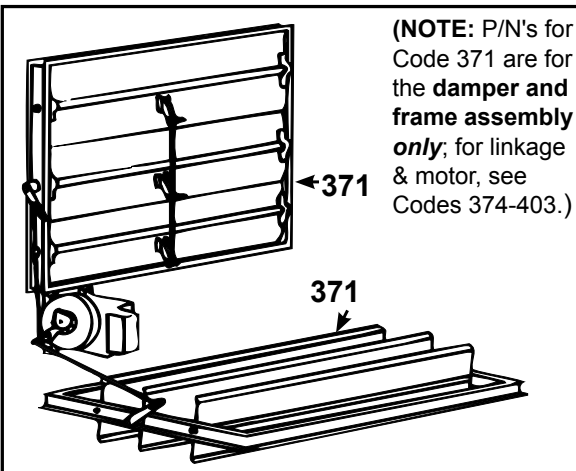


Location of Air Flow Switch Sensor



Dampers and Controls - Applies to all Packaged Systems and Blower Cabinets

Code	Model RPBL, RGBL, PGBL Sizes		Model RBA	500, 600	700, 1050	400, 800, 1200, RBL	
	Model (C)(H)RGB/RPB Size	75, 100, 125	150, 175	200, 225	250, 300	350	400
370	Damper and Frame Assembly only for 30% Outside Air Dampers (see illustration of 30% damper below)	120552	120553	120554	120555	120556	120557
371	Damper and Frame Assembly only for 100% Outside Air or Return Air Dampers	105421	105422	105423	105424	105425	105426



(NOTE: P/N's for Code 371 are for the damper and frame assembly **only**; for linkage & motor, see Codes 374-403.)

Code 374 - Two-Position Damper Motors - Replacement depends on model of unit, date of manufacture, and/or damper motor model.



P/N 209351, either J/C M9206-BGB-2S (prior to 1/2012) or J/C M9208-BGC-3 (beginning 1/2012). If replacing this motor labeled M9206-BGB-2S order Kit P/N 209423.

If replacing obsolete damper motor P/N 66276, WR3405-21, or 97385, WR3402-9, order Kit P/N 209423.



Damper Motor for 2-Position Damper (open/closed), MS8105A1130/U, P/N 263939

This damper motor is used on Models RPBL and RBL beginning 4/2012. If replacing any other damper motor on a "BL" Model, order Replacement Kit, P/N 209423.

370 - 30% Damper



Code 372 - Hand Quadrant, P/N 103502, (on a 30% Outside Air Damper) & Code 373 - Manual Damper Control Bracket, P/N 175248



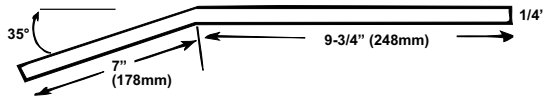
Code 376 - Modulating Damper Motor, M/H M9185A1026 less end switches, P/N 115681 (replaces P/N 53928) Code 377 (illustrated)

- Modulating Damper Motor with two end switches, P/N 115682

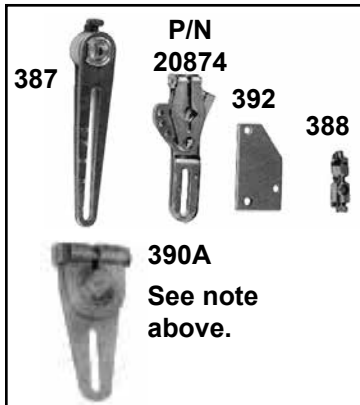


Code 378 - Modulating Damper Motor used in Option AR23, M/H #M6294B1011, P/N 115683, (with pressure null switch)

Code 383 - Bent Damper Rod, P/N 105420

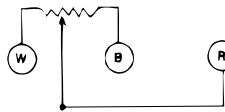


NOTES: Crank Arm Code 390A is used with motors P/N 115682, 115683, & 115681 (motors used in currently manufactured units). Use Crank Arm P/N 20874 (illustrated), M/H #7616BR, with obsolete motors P/N 53928, 87059, and 96767.

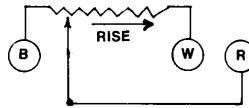


See note above.

Code 397 - Potentiometer, M/H 112894FA, P/N 16110



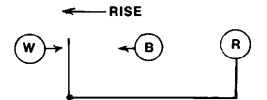
Code 398 - Mixed Air Controller, M/H T991-1004, P/N 16109



Grommet Clamp, P/N 39224



Code 399 - Outside Air Controller, J/C# A19AAF-120, P/N 126170 (replaces P/N 16108)



Code 400 - Pressure Null Switch, Dwyer #1640-0, Range .01" to .2" w.c., P/N 88052



Code 401 - Auxiliary End Switch, P/N 113963, M/H Q607B1067



Code 403 - DDC (4-20 ma) interface module for modulating damper motor, P/N 171134, M/H Q7230A



Code	Description	P/N	Components by Option AR__ for "BL" Blower Cabinets (refer to wiring diagram for applicable motorized AR Option)														
			6	7	8	9*	11*	12*	13*	14*	15	16*	17	18	23*	25	
372	Hand Quadrant #14004728-001	103502	X					X									
373	Manual Damper Control Bracket (replaces P/N 103488)	143182	X					X									
374	2-Position Actuator, J/C M9208-BGC-3 (use of this model effective 01/2012 on Model RPB)	209351		X	X						X			X			
	2-Position Actuator, M/H MS8105A1130/U (effective 04/2012 on Models RPBL and RBL)	263939		X	X									X			
Replacement Kit for other 2-position damper actuator models including P/N 66276, 97385, and 209351 labeled J/C M9206-BGB-2) is Kit P/N 209423.																	
376	Modulating Damper Motor, #M9175A1051 (no end switch) Motor Support, P/N 100315	115681				X		X	X		X	X		X		X	
377	Optional Modulating Damper Motor, #M9185A1026 (Replacement requires auxiliary switch kit, P/N 145881.)	202091				X		X	X		X	X		X		X	
378	Floating Modulating Damper Motor, #M6194B1011 Motor Support, P/N 100315	115683														X	
379	Damper Rod, 1/4 x 12 inches long	11561								X		X	X		X	X	
380	Damper Rod, 1/4 x 13 inches long	112554		X	X			X		X				X			X
381	Damper Rod, 1/4 x 18 inches long	11560		X	X					X				X			
382	Damper Rod, 1/4 x 17 inches long	112556				X		X	X		X	X		X	X	X	X
383	Damper Rod, Bent (drawing, page 23)	105420					X										
384	Damper Rod Arm	66278		X													
387	Damper Arm, M/H #20265	12635		X	X(2)	X	X(2)	X(2)	X(2)	X(3)	X(2)	X(2)	X(3)	X(2)	X(2)	X(2)	X(2)
388	Ball and Socket, M/H #27518	12636		X(2)	X(2)	X(2)	X(4)	X(4)	X(4)	X(4)	X(4)	X(4)	X(4)	X(4)	X(4)	X(4)	X(4)
390	Crank Arm M/H #221455A	116209				X		X	X		X	X		X	X	X	X
392	Damper Arm Support Plate	14225					X										
394	Damper Arm Adjustment Plate	115687						X	X	X	X	X	X	X	X		
395	Damper Arm Adjustment Plate	142982															X
396	Air Controller Support Bracket	103758				X		X	X	X		X		X			
397	Potentiometer, M/H #112894FA	16110				X		X	X		X			X			
398	Mixed Air Controller, M/H #T991A-1004	16109						X	X					X			
399	Outdoor Air Controller, J/C#A19AAF-120	126170								X	X	X					
400	Null Switch (pressure), Dwyer #1640	88052															X
401	Auxiliary End Switch only for M/H Damper Motors, #Q607B1067, P/N 113963																
402	Auxiliary Switch Kit (2 switches), M/H 220736B, P/N 145881																
403	DDC (4-20ma) interface module for use with modulating damper motor, Honeywell Q7230A, P/N 171134																X

*Option Code is no longer available.

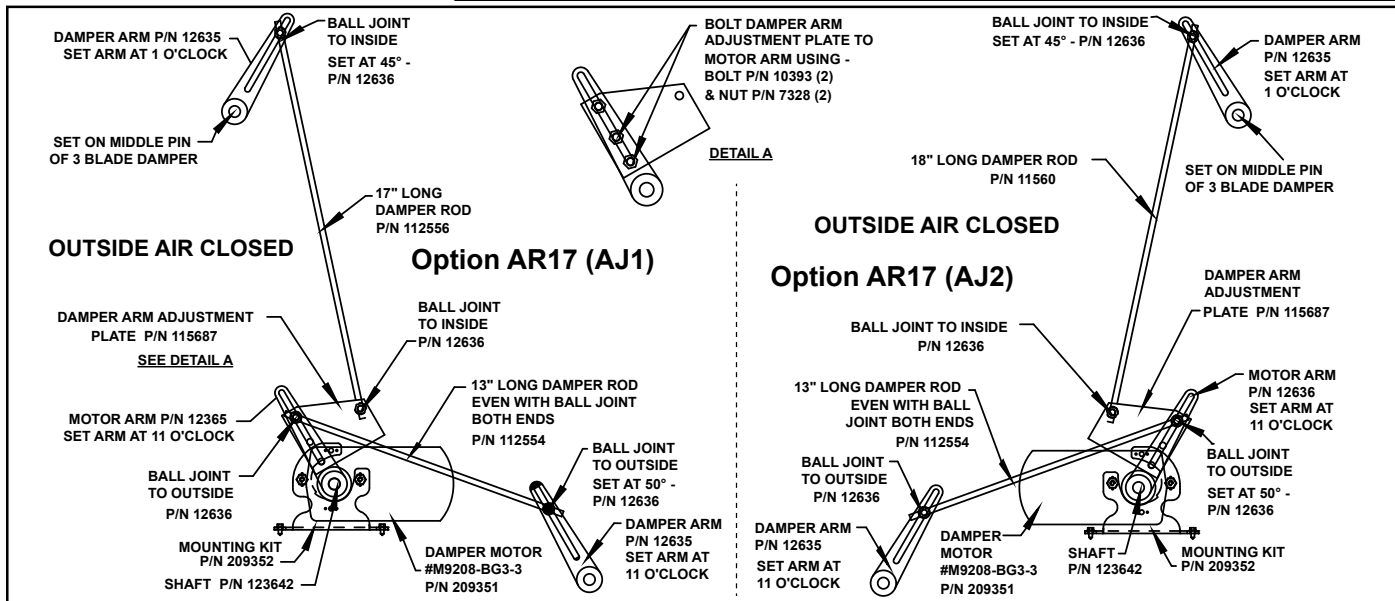
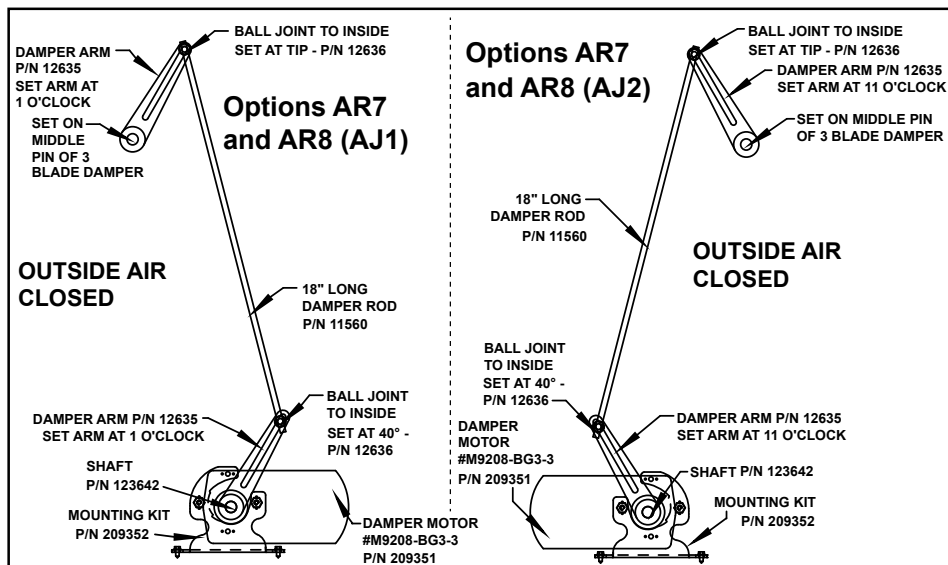
Dampers and Controls (cont'd)

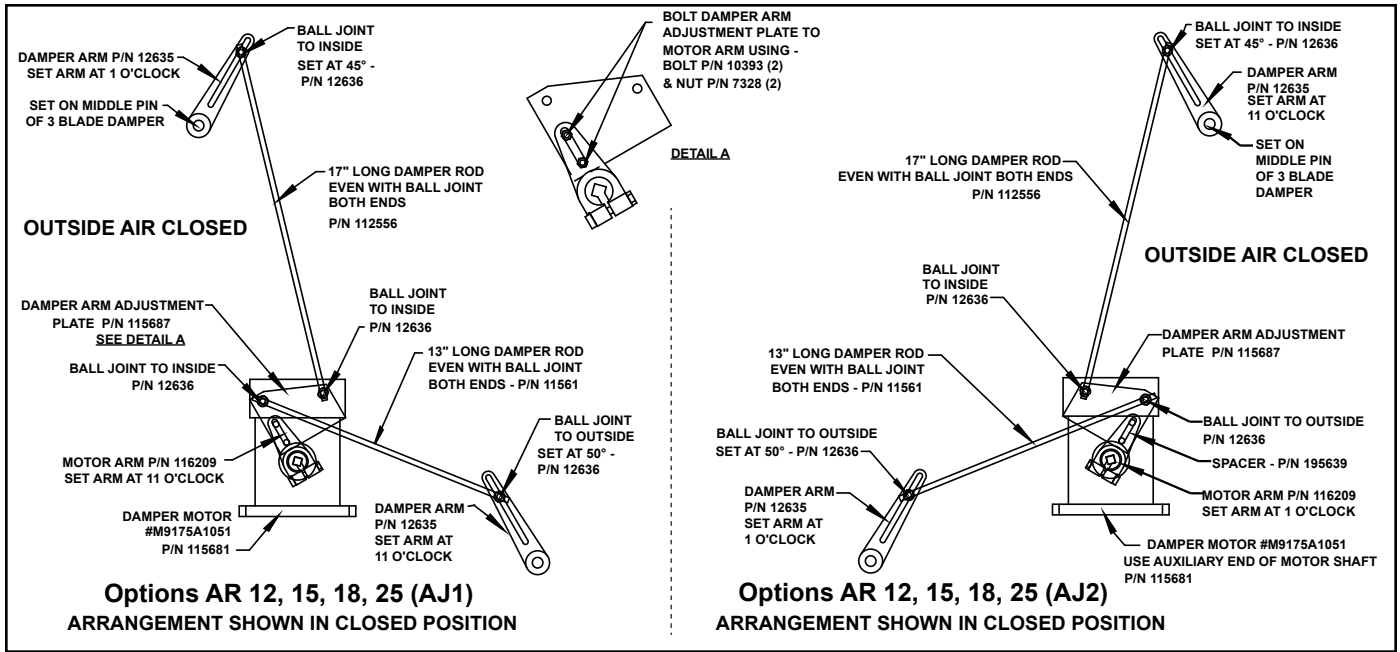
Components by Option AR__ for currently manufactured (2012) Model RPB units.
See linkage illustrations below. (For components of obsolete Option Codes, see "BL" chart, page 23.)
(Refer to wiring diagram for applicable motorized AR Option.)

Code	Description	P/N	6	7	8	12	15	17	18	25
372	Hand Quadrant #14004728-001	103502	X							
373	Manual Damper Control Bracket (replaces P/N 103488)	143182	X							
374	2-Position Damper Motor, J/C M9208-BGC-3 (effective 01/2012)	209351		X	X			X		
	Mounting Kit, P/N 209352; Shaft, P/N 123642									
Replacement Kit for other 2-position Damper Motors (P/N 66276, 97385, and 209351 labeled J/C M9206-BGB-2S) is Kit P/N 209423.										
376	Modulating Damper Motor, #M9175A1051 (no end switch)	115681				X	X		X	X
379	Damper Rod, 1/4 x 12 inches long	11561				X	X		X	X
380	Damper Rod, 1/4 x 13 inches long	112554						X		
381	Damper Rod, 1/4 x 18 inches long	11560		X	X			X-AJ2		
382	Damper Rod, 1/4 x 17 inches long	112556				X	X	X-AJ1	X	X
387	Damper Arm, M/H #20265	12635		X	X	X(2)	X(2)	X(3)	X(2)	X(2)
388	Ball and Socket, M/H #27518	12636		X(2)	X(2)	X(4)	X(4)	X(4)	X(4)	X(4)
390A	Crank Arm M/H #221455A	116209				X	X		X	X
390B	Crank Arm Spacer	195639				X	X		X	X
393	Damper Motor Support Assembly	100315		X	X					
394	Damper Arm Adjustment Plate	115687				X	X	X	X	X
396	Air Controller Support Bracket	103758							X	
397	Potentiometer, M/H #112894FA	16110					X		X	
398	Mixed Air Controller, M/H #T991A-1004	16109				X	X			
399	Outdoor Air Controller, J/C#A19AAF-120	126170					X			
401	Auxiliary End Switch only for M/H Damper Motors, #Q607B1067, P/N 113963									
402	Auxiliary Switch Kit (2 switches), M/H 220736B, P/N 145881									
403	DDC (4-20ma) interface module for use with modulating damper motor, Honeywell Q7230A, P/N 171134									X

Model RPB Damper Linkage and Rigging by AR option (Refer to the wiring diagram to identify applicable motorized AR Option.) Option AJ1 is left side controls; Option AJ2 is right side controls.

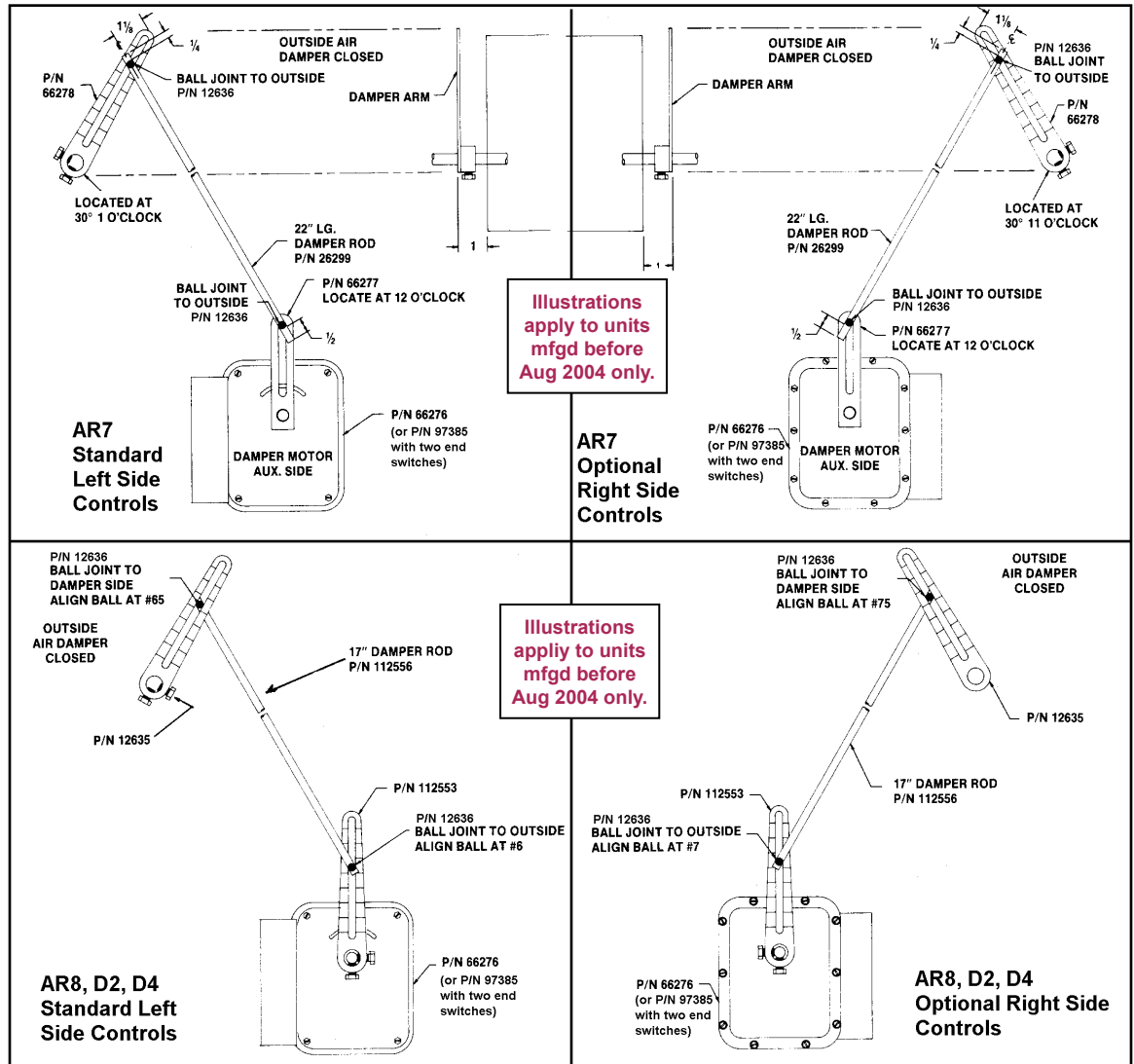
Illustrations here and top of page 25 are for Model RPB units manufactured beginning 4/2012. See pages 25-26 for illustrations of some previously used (some prior to 2004 only) damper linkage arrangements. Illustrations of some arrangements are not available.





Other Damper Linkage Illustrations by AR Option Code

Refer to the wiring diagram for AR Code. Notice that some illustrations apply to units manufactured prior to 2004.



Damper Linkage by Option Code (cont'd) - for units mfgd before Aug 2004 where indicated

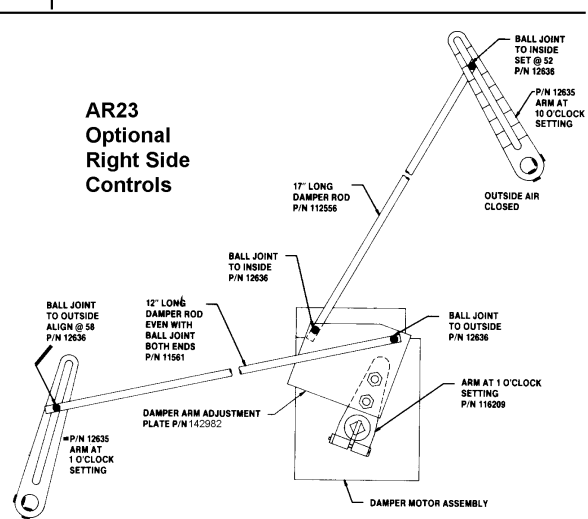
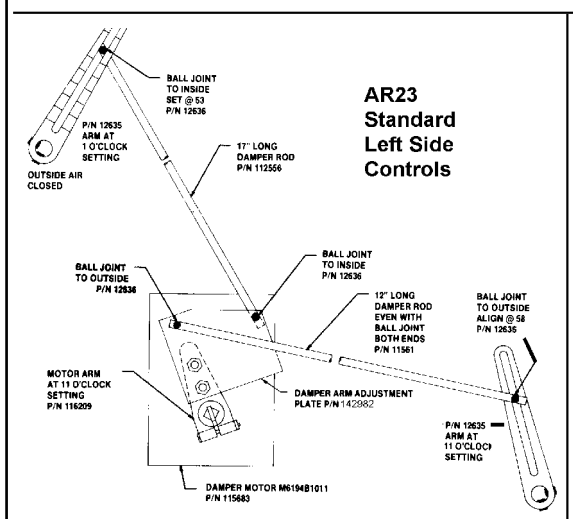
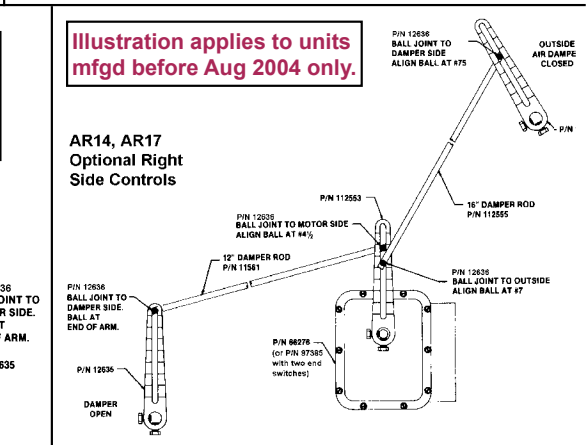
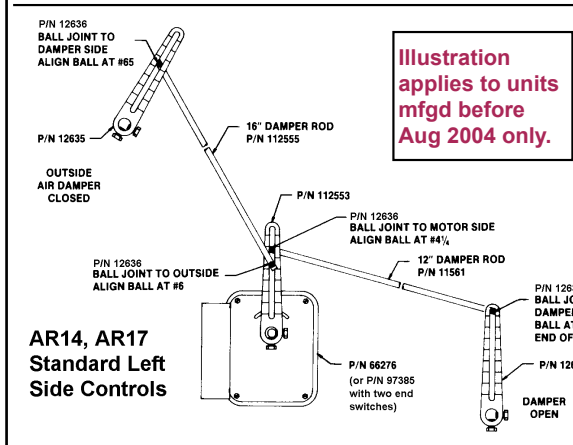
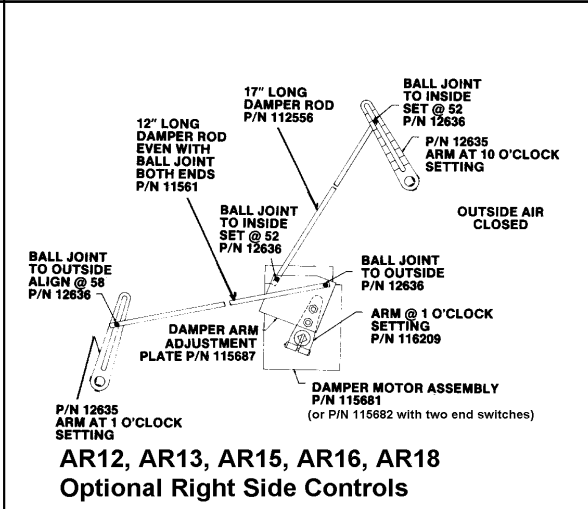
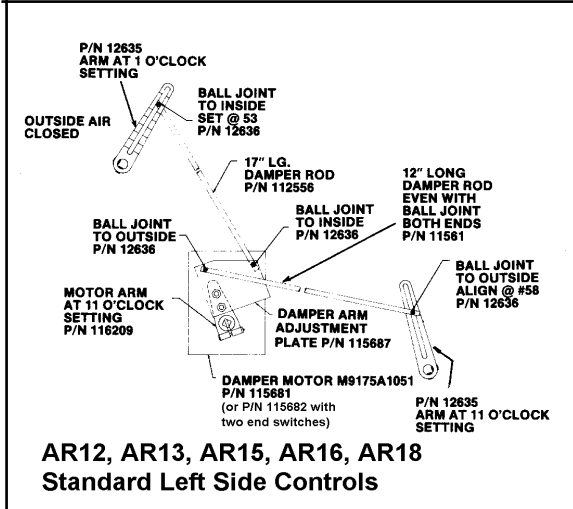
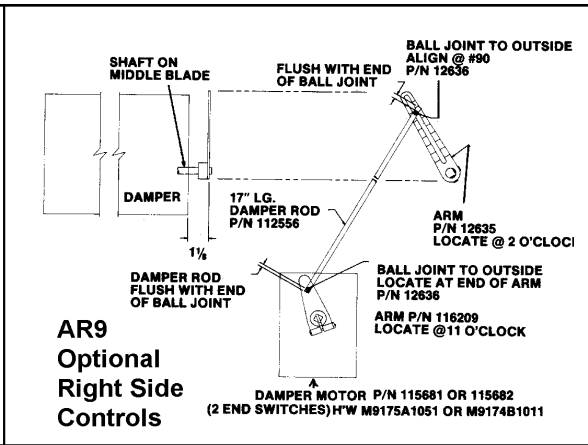
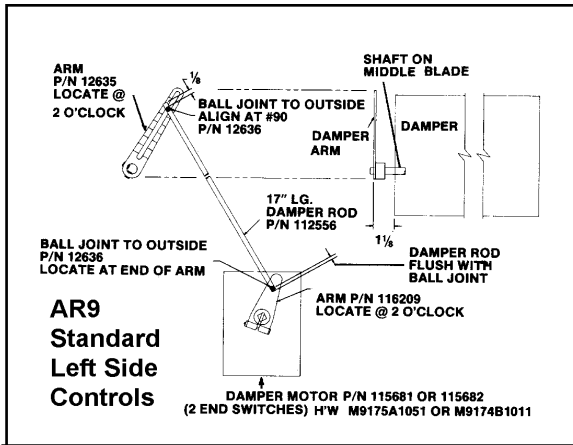


Illustration applies to units mfgd before Aug 2004 only.

Illustration applies to units mfgd before Aug 2004 only.

Replacement Blower Motors, Starters, and Variable Frequency Drives

Replacement Motors (Tables on pages 27-30)

Motors in the Open, TEFC, and Premium Efficiency tables that are **highlighted** in gray **do not** have internal overload protection and **must** be used with the motor starter and overload listed in the table. Refer to the wiring diagram for applicable AL and AN or VFD option codes.

See **Code 27**, page 9, for standard motor contactor (Option AN2), **P/N 216386**, for motors with internal overloads.

If equipped with an optional variable frequency drive, see P/N's on the right.

Replacement IEC Starters and Overloads (Listed by motor on pages 27-30.)

When ordering a replacement IEC starter (contactor) or overload, check the manufacturer's number on both parts. If the number is different than that listed, both components must be replaced. IEC Starter (contactor) and overload are mounted on rail, **P/N 111387**. Replacement holding coils are listed on page 30. If the motor has a NEMA starter, see replacement information on page 30.



Variable Frequency Drive (Option VFD) and Matching Line Reactor



Mtr HP	VFD Drive & Matching Line Reactor	208/1/60 230/1/60			208/3/60 230/3/60			480/3/60			575/3/60		
		ODP	TEFC	Prem	ODP	TEFC	Prem	ODP	TEFC	Prem	ODP	TEFC	Prem
1/2	Drive	221600	221605	N/A	221612	N/A	N/A						
	Line Reactor	221595	221598		221590		N/A						
3/4	Drive	N/A			221606	N/A	221613	N/A	N/A				
	Line Reactor	N/A			221598		221591		N/A				
1	Drive	221601	221607		221614		N/A						
	Line Reactor	221596	221594		221592		N/A						
1-1/2	Drive	221602	221608		221615		N/A						
	Line Reactor	221597	221595		221593		N/A						
2	Drive	221603	221609		221616		221855		N/A				
	Line Reactor	221597	221596		221585		NA (Built-in)		N/A				
3	Drive	221604	221610		221617		221856		N/A				
	Line Reactor	221599	221597		221586		NA (Built-in)		N/A				
5	Drive	N/A			221611		221618		221857		N/A		
	Line Reactor	N/A			221599		221587		NA (Built-in)		N/A		

Replacement Blower Motors and Starters

Code 360 - Blower Motor										Starter (AN10)		Starter Overload					
Type	HP	AL	Mfr's #.	P/N	fla	volt	ph	Frame Size	Service Factor	Power Factor	Mfr #	P/N	Mfr #	min	max	P/N	
Open	1/4	2	BF2024	210611	4.6	120	1	48/56	1.35		CL00A310T-J	151146	RTA1-L	4.00	6.30	151191	
			BF2024	210611	2.3	208	1	48/56	1.15	63	CL00A310T-L	151150	RTA1-J	1.90	2.70	151189	
			BF2024	210611	2.3	240	1	48/56	1.15	63	CL00A310T-S	151147	RTA1-J	1.90	2.70	151189	
			M3003	115864	1.1	208	3	K48	1.35	72	CL00A310T-L	151150	RTA1-G	1.00	1.50	151187	
			M3003	115864	1.4	240	3	K48	1.35	72	CL00A310T-S	151147	RTA1-G	1.00	1.50	151187	
Open	1/3	3	M3003	115864	0.75	480	3	K48	1.35	72	CL00A310T-U	151148	RTA1-F	0.65	1.10	151186	
			BF2034	202091	6	120	1	48/56	1.35		CL00A310T-J	151146	RTA1-L	4.00	6.30	151191	
			BF2034	202091	3	208	1	48/56	1.35	62.8	CL00A310T-L	151150	RTA1-K	2.50	4.10	151190	
			BF2034	202091	3	240	1	48/56	1.35	62.8	CL00A310T-S	151147	RTA1-K	2.50	4.10	151190	
			M3007	115863	1.4	208	3	K48	1.35		CL00A310T-L	151150	RTA1-G	1.00	1.50	151187	
Open	1/2	4	M3007	115863	1.6	240	3	K48	1.35		CL00A310T-S	151147	RTA1-H	1.30	1.90	151188	
			M3007	115863	0.8	480	3	K48	1.35		CL00A310T-U	151148	RTA1-F	0.65	1.10	151186	
			BF2054	102627	8.8	120	1	56Z	1.15		CL00A310T-J	151146	RTA1-N	8.00	12.00	151193	
			BF2054	102627	5.1	208	1	56Z	1.15		CL00A310T-L	151150	RTA1-L	4.00	6.30	151191	
			BF2054	102627	4.4	240	1	56Z	1.15		CL00A310T-S	151147	RTA1-L	4.00	6.30	151191	
Open	3/4	5	H880	159183	2.5	208	3	LA56	1.25		CL00A310T-L	151150	RTA1-J	1.90	2.70	151189	
			H880	159183	3	240	3	LA56	1.25		CL00A310T-S	151147	RTA1-K	2.50	4.10	151190	
			H880	159183	1.5	480	3	LA56	1.25		CL00A310T-U	151148	RTA1-H	1.30	1.90	151188	
			H991	202089	.9	575	3	H56	1.25		CL00A310T-1	151275	RTA1-F	0.65	1.10	151186	
			C426V1	93548	11	120	1	B56			CL01A310T-J	151151	RTA1-P	10.00	16.00	151194	
			C426V1	93548	5.5	208	1	B56			CL00A310T-L	151150	RTA1-M	5.50	8.50	151192	
			C426V1	93548	5.4	240	1	B56			CL00A310T-S	151147	RTA1-L	4.00	6.30	151191	
Open	1	6	312P696	36951	2.9	208	3	D56	1.25		CL00A310T-L	151150	RTA1-K	2.50	4.10	151190	
			312P696	36951	2.6	240	3	D56	1.25		CL00A310T-S	151147	RTA1-K	2.50	4.10	151190	
			312P696	36951	1.3	480	3	D56	1.25		CL00A310T-U	151148	RTA1-G	1.00	1.50	151187	
			H992	202090	1.0	575	3	H56	1.25		CL00A310T-1	151275	RTA1-F	0.65	1.10	151186	
			C523	13685	13	120	1	H56	1.25		CL01A310T-J	151151	RTA1-P	10.00	16.00	151194	
			C523	13685	7.5	208	1	H56	1.25		CL00A310T-L	151150	RTA1-M	5.50	8.50	151192	
			C523	13685	6.5	240	1	H56	1.25		CL00A310T-S	151147	RTA1-M	5.50	8.50	151192	
Open	1.5	7	H882	36580	3.7	208	3	H56	1.15		CL00A310T-L	151150	RTA1-K	2.50	4.10	151190	
			H882	36580	3.2	240	3	H56	1.15		CL00A310T-S	151147	RTA1-K	2.50	4.10	151190	
			H882	36580	1.6	480	3	H56	1.15		CL00A310T-U	151148	RTA1-H	1.30	1.90	151188	
			E1006L	158175	1.1	575	3	N143T	1.15		CL00A310T-Y	151149	RTA1-G	1.00	1.50	151187	
			C524	194202	15	120	1	56	1.2	86.4		CL02A310T-J	151156	RTA1-P	10.00	16.00	151194
			C524	194202	7.8	208	1	56	1.2	86.4		CL00A310T-L	151150	RTA1-M	5.50	8.50	151192
			C524	194202	7.5	240	1	56	1.2	86.4		CL00A310T-S	151147	RTA1-M	5.50	8.50	151192
Open	1.5	7	H884L	115859	5.6	208	3	F56	1.15	66.4	CL00A310T-L	151150	RTA1-L	4.00	6.30	151191	
			H884L	115859	5	240	3	F56	1.15	66.4	CL00A310T-S	151147	RTA1-L	4.00	6.30	151191	
			H884L	115859	2.8	480	3	F56	1.15	66.4	CL00A310T-U	151148	RTA1-K	2.50	4.10	151190	
			E1007	158162	1.6	575	3	R145T	1.15	85.3		CL00A310T-Y	151149	RTA1-H	1.30	1.90	151188

Replacement Blower Motors and Starters (cont'd) - See replacement information, top of page 27.

Code 360 - Blower Motor										Frame		Service	Power	Starter (AN10)			Starter Overload		
Type	HP	AL	Mfr's #.	P/N	fla	volt	ph	Size	Factor	Factor	Mfr #	P/N	Mfr #	min	max	P/N			
Open	2	8	RB1204AV1	202581	24.6	120	1	56H	1.15	81.8	CL25A310T-J	151160	RTA1-T	17.50	22.00	151197			
	2		RB1204AV1	202581	12.3	208	1	56H	1.15	81.8	CL01A310T-L	151155	RTA1-N	8.00	12.00	151193			
	2		RB1204AV1	202581	12.3	240	1	56H	1.15	81.8	CL01A310T-S	151152	RTA1-N	8.00	12.00	151193			
	2		H886	159327	7.0	208	3	56HZ	1.15	67	CL00A310T-L	151150	RTA1-M	5.50	8.50	151192			
	2		H886	159327	6.6	240	3	56HZ	1.15	67	CL00A310T-S	151147	RTA1-M	5.50	8.50	151192			
	2		H886	159327	3.5	480	3	56HZ	1.15	67	CL00A310T-U	151148	RTA1-K	2.50	4.10	151190			
Open	3	9	E1008	158176	2.1	575	3	P145T	1.15	86	CL00A310T-Y	151149	RTA1-J	1.90	2.70	151189			
	3		B735	111560	13.7	208	1	L56	1.15	94.5	CL02A310T-L	151159	RTA1-P	10.00	16.00	151194			
	3		B735	111560	12.4	240	1	L56	1.15	94.5	CL01A310T-S	151152	RTA1-P	10.00	16.00	151194			
	3		H845	159185	9.0	208	3	P56HZ	1.15		CL00A310T-L	151150	RTA1-N	8.00	12.00	151193			
	3		H845	159185	8.6	240	3	P56HZ	1.15		CL00A310T-S	151147	RTA1-N	8.00	12.00	151193			
	3		H845	159185	4.3	480	3	P56HZ	1.15		CL00A310T-U	151148	RTA1-L	4.00	6.30	151191			
Open	5	10	H954	120019	3.6	575	3	P145T	1.15	80.3	CL00A310T-Y	151149	RTA1-K	2.50	4.10	151190			
	5		V211	111562	28.3	208	1	L184T	1.15	79.2	CL04A310M-L	151169	RTA1-V	25.00	32.00	151199			
	5		V211	111562	25.6	240	1	L184T	1.15	79.2	CL04A310M-S	151166	RTA1-V	25.00	32.00	151199			
	5		196033J	113371	13.4	208	3	Y56HZ	1.15	87.2	CL01A310T-L	151155	RTA1-P	10.00	16.00	151194			
	5		196033J	113371	13.2	240	3	Y56HZ	1.15	87.2	CL01A310T-S	151152	RTA1-P	10.00	16.00	151194			
	5		196033J	113371	6.6	480	3	Y56HZ	1.15	87.2	CL00A310T-U	151148	RTA1-M	5.50	8.50	151192			
Open	7.5	11	H956	120020	5.4	575	3	Y56HZ	1.15	85.9	CL00A310T-Y	151149	RTA1-L	4.00	6.30	151191			
	7.5		V305	105828	35.4	208	1	S215T	1.15	87	CL06A311M-L	151173	RTA2-E	30.00	43.00	151206			
	7.5		V305	105828	32.0	240	1	S215T	1.15	87	CL45A310M-S	151170	RTA1-V	25.00	32.00	151199			
	7.5		M3311T	105855	32.0	208	3	213T	1.15	82.5	CL25A310T-L	151164	RTA1-U	21.00	26.00	151198			
	7.5		M3311T	105855	20.0	240	3	213T	1.15	82.5	CL25A310T-S	151161	RTA1-T	17.50	22.00	151197			
	7.5		M3311T	105855	10.0	480	3	213T	1.15	82.5	CL01A310T-U	151153	RTA1-N	8.00	12.00	151193			
Open	10	12	M3311T-5	158164	7.7	575	3	213T	1.15	86.5	CL00A310T-Y	151149	RTA1-M	5.50	8.50	151192			
	10		V303	105830	42.0	208	1	S215T	1.15	96	CL06A311M-L	151173	RTA2-E	30.00	43.00	151206			
	10		V303	105830	38.0	240	1	S215T	1.15	96	CL06A311M-S	151172	RTA2-E	30.00	43.00	151206			
	10		M3313T	105858	29.0	208	3	215T	1.15	85.5	CL04A310M-L	151169	RTA1-V	25.00	32.00	151199			
	10		M3313T	105858	26.8	240	3	215T	1.15	85.5	CL04A310M-S	151166	RTA1-V	25.00	32.00	151199			
	10		M3313T	105858	13.4	480	3	215T	1.15	85.5	CL01A310T-U	151153	RTA1-P	10.00	16.00	151194			
Open	15	15	M3313T-5	158163	10.8	575	3	215T	1.15	81	CL01A310T-Y	151154	RTA1-P	10.00	16.00	151194			
	15		FM2513T-8	142287	43.1	208	3	254T	1.15	80	CL06A311M-L	151173	RTA2-G	42.00	55.00	151202			
	15		FM2513T	142288	39.0	240	3	254T	1.15	80	CL06A311M-S	151172	RTA2-E	30.00	43.00	151206			
	15		FM2513T	142288	19.5	480	3	254T	1.15	80	CL25A310T-U	151162	RTA1-T	17.50	22.00	151197			
	15		FM2513T-5	142289	16.0	575	3	254T	1.15	80	CL02A310T-Y	151158	RTA1-S	14.50	18.00	151196			
	20		FM2515T-8	142295	58.7	208	3	256T	1.15	80	CL07A311M-L	151176	RTA2-H	54.00	65.00	151203			
Open	20	16	FM2515T	142296	53.0	240	3	256T	1.15	81	CL07A311M-S	151175	RTA2-G	42.00	55.00	151202			
	20		FM2515T	142296	26.5	480	3	256T	1.15	81	CL04A310M-U	151167	RTA1-V	25.00	32.00	151199			
	20		FM2515T-5	142297	21.2	575	3	256T	1.15	80	CL25A310T-Y	151163	RTA1-T	17.50	22.00	151197			

Coe 360 - Blower Motor										Frame		Service	Power	Starter (AN10)			Starter Overload		
Type	HP	AL	Mfr's #.	P/N	fla	volt	ph	Size	Factor	Factor	Mfr #	P/N	Mfr #	min	max	P/N			
TEFC	1/4	19	#904	105566	3.6	120	1	M48	1		CL00A310T-J	151146	RTA1-K	2.50	4.10	151190			
			C199	16074	2.2	208	1	H56	1.35		CL00A310T-L	151150	RTA1-J	1.90	2.70	151189			
			C199	16074	2.6	240	1	H56	1.35		CL00A310T-S	151147	RTA1-H	1.30	1.90	151188			
			125439	16075	1.6	208	3	B56	1	61.9	CL00A310T-L	151150	RTA1-H	1.30	1.90	151188			
			125439	16075	1.4	240	3	B56	1	61.9	CL00A310T-S	151147	RTA1-G	1.00	1.50	151187			
			125439	16075	0.7	480	3	B56	1	61.9	CL00A310T-U	151148	RTA1-F	0.65	1.10	151186			
TEFC	1/3	20	#906L	115861	4.6	120	1	N48	1	68.5	CL00A310T-J	151146	RTA1-L	4.00	6.30	151191			
			C151	159501	2.3	208	1	N48	1	67.2	CL00A310T-L	151150	RTA1-J	1.90	2.70	151189			
			C151	159501	2.4	240	1	N48	1	67.2	CL00A310T-S	151147	RTA1-J	1.90	2.70	151189			
			H261	105567	1.2	208	3	L48	1.15		CL00A310T-L	151150	RTA1-G	1.00	1.50	151187			
			H261	105567	1.2	240	3	L48	1.15		CL00A310T-S	151147	RTA1-G	1.00	1.50	151187			
			H261	105567	0.6	480	3	L48	1.15		CL00A310T-U	151148	RTA1-D	0.40	0.65	151184			
TEFC	1/2	21	C613	159184	7.2	120	1	J56	1.15		CL00A310T-J	151146	RTA1-M	5.50	8.50	151192			
			C613	159184	3.5	208	1	J56	1.15		CL00A310T-L	151150	RTA1-K	2.50	4.10	151190			
			C613	159184	3.6	240	1	J56	1.15		CL00A310T-S	151147	RTA1-K	2.50	4.10	151190			
			H274	16077	2.3	208	3	H56	1	59.5	CL00A310T-L	151150	RTA1-J	1.90	2.70	151189			
			H274	16077	2.0	240	3	H56	1	59.5	CL00A310T-S	151147	RTA1-J	1.90	2.70	151189			
			H274	16077	1.0	480	3	H56	1	59.5	CL00A310T-U	151148	RTA1-F	0.65	1.10	151186			
TEFC	3/4	22	H276	105568	0.7	575	3	J56	1.15	76.4	CL00A310T-Y	151149	RTA1-F	0.65	0.90	151186			
			F353	115860	11.0	120	1	F56	1	66	CL01A310T-J	151151	RTA1-P	10.00	16.00	151194			
			F353	115860	5.4	208	1	F56	1	66	CL00A310T-L	151150	RTA1-L	4.00	6.30	151191			
			F353	115860	5.5	240	1	F56	1	66	CL00A310T-S	151147	RTA1-L	4.00	6.30	151191			
			H580	20371	2.0	208	3	KA56	1	73.5	CL00A310T-L	151150	RTA1-J	1.90	2.70	151189			
			H580	20371	2.2	240	3	KA56	1	73.5	CL00A310T-S	151147	RTA1-J	1.90	2.70	151189			
TEFC	1	23	H580	20371	1.1	480	3	KA56	1	73.5	CL00A310T-U	151148	RTA1-G	1.00	1.50	151187			
			H461	105569	0.8	575	3	L56	1.15	78.3	CL00A310T-Y	151149	RTA1-F	0.65	1.10	151186			
			159105	174993	12.0	120	1	L56	1.15	74.3	CL01A310T-J	151151	RTA1-P	10.00	16.00	151194			
			159105	174993	6.2	208	1	L56	1.15	74.3	CL00A310T-S	151147	RTA1-M	5.50	8.50	151192			
			159105	174993	6.0	240	1	L56	1.15	74.3	CL00A310T-S	151147	RTA1-M	5.50	8.50	151192			
			H524	16080	3.3	208	3	J56	1	74.4	CL00A310T-L	151150	RTA1-K	2.50	4.10	151190			

Code 360 Blower Motor								Frame Size	Service Factor	Power Factor	Starter (AN10)		Starter Overload			
Type	HP	AL	Mfr's #.	P/N	fla	volt	ph				Mfr #	P/N	Mfr #	min	max	P/N
TEFC (cont'd)	1 (cont'd)	23	H524	16080	3.4	240	3	J56	1	74.4	CL00A310T-S	151147	RTA1-K	2.50	4.10	151190
			H524	16080	1.7	480	3	J56	1	74.4	CL00A310T-U	151148	RTA1-H	1.30	1.90	151188
			H525	105570	1.4	575	3	H56	1.15	71.6	CL00A310T-Y	151149	RTA1-G	1.00	1.50	151187
TEFC	1.5	24	C686	94347	16.4	120	1	TK56H			CL02A310T-J	151156	RTA1-S	14.50	18.00	151196
TEFC			C686	94347	9.5	208	1	TK56H			CL00A310T-L	151150	RTA1-N	8.00	12.00	151193
TEFC			C686	94347	8.2	240	1	TK56H			CL00A310T-S	151147	RTA1-N	8.00	12.00	151193
TEFC			H535	101286	4.3	208	3	L56H	1	80.9	CL00A310T-L	151150	RTA1-L	4.00	6.30	151191
TEFC			H535	101286	4.4	240	3	L56H	1	80.9	CL00A310T-S	151147	RTA1-L	4.00	6.30	151191
TEFC			H535	101286	2.2	480	3	L56H	1	80.9	CL00A310T-U	151148	RTA1-J	1.90	2.70	151189
TEFC			E127	105665	1.6	575	3	M145T	1.15	85.7	CL00A310T-Y	151149	RTA1-H	1.30	1.90	151188
TEFC			C687	105572	24.0	120	1	F182T	1	76.4	CL04A310M-J	151165	RTA1-U	21.00	26.00	151198
TEFC			L3516TM	205881	8.3	240	1	56HZ	1	76.4	CL01A310T-S	151152	RTA1-P	10.00	16.00	151194
TEFC			M3587T	158165	6.3	208	3	145T	1.15	77.5	CL00A310T-L	151150	RTA1-M	5.50	8.50	151192
TEFC	M3587T	158165	5.8	240	3	145T	1.15	77.5	CL00A310T-S	151147	RTA1-L	4.00	6.30	151191		
TEFC	M3587T	158165	2.9	480	3	145T	1.15	77.5	CL00A310T-U	151148	RTA1-K	2.50	4.10	151190		
TEFC	M3587T-5	158166	2.2	575	3	145T	1.15	77.5	CL00A310T-Y	151149	RTA1-J	1.90	2.70	151189		
TEFC	3	26	K222	111564	30.0	120	1	F184T	1	88	CL04A310M-J	151165	RTA1-V	25.00	32.00	151199
TEFC			K222	111564	15.0	240	1	F184T	1	88	CL02A310T-S	151157	RTA1-P	10.00	16.00	151194
TEFC			M3559T	159330	7.9	208	3	145T	1.15		CL00A310T-L	151150	RTA1-M	5.50	8.50	151192
TEFC			M3559T	159330	7.2	240	3	145T	1.15		CL00A310T-S	151147	RTA1-M	5.50	8.50	151192
TEFC			M3559T	159330	3.6	480	3	145T	1.15		CL00A310T-U	151148	RTA1-K	2.50	4.10	151190
TEFC			M3660T-5	158168	3.0	575	3	182T	1.15		CL00A310T-Y	151149	RTA1-K	2.50	4.10	151190
TEFC			K223	111567	20.2	240	1	F184T	1	90.8	CL04A310M-S	151166	RTA1-T	17.50	22.00	151197
TEFC	5	27	M3663T	155048	12.8	208	3	184T	1.15		CL01A310T-L	151155	RTA1-S	14.50	18.00	151196
TEFC			M3663T	155048	11.8	240	3	184T	1.15		CL01A310T-S	151152	RTA1-P	10.00	16.00	151194
TEFC			M3663T	155048	5.9	480	3	184T	1.15		CL00A310T-U	151148	RTA1-L	4.00	6.30	151191
TEFC			M3663T-5	158170	4.8	575	3	184T	1.15	90	CL00A310T-Y	151149	RTA1-L	4.00	6.30	151191
TEFC			K305	105842	34.0	240	1	F215T	1	86.5	CL45A310M-S	151170	RTA1-W	30.00	40.00	151200
TEFC	7.5	32	T4631	158171	21.0	208	3	213T	1.15	83.1	CL04A310M-L	151169	RTA1-U	21.00	26.00	151198
TEFC			T4631	158171	19.0	240	3	213T	1.15	83.1	CL25A310T-S	151161	RTA1-T	17.50	22.00	151197
TEFC			T4631	158171	9.5	480	3	213T	1.15	83.1	CL01A310T-U	151153	RTA1-N	8.00	12.00	151193
TEFC			M3710T-5	158172	8.1	575	3	213T	1.15	83.1	CL00A310T-Y	151149	RTA1-M	5.50	8.50	151192
TEFC			K313	105846	39.0	240	1	215T	1	96.5	CL06A311M-S	151172	RTA2-E	30.00	43.00	151206
TEFC	10	33	M3774T	158173	39.0	208	3	215T	1.15	85	CL04A310M-L	151169	RTA1-V	25.00	32.00	151199
TEFC			M3774T	158173	20.0	240	3	215T	1.15	85	CL04A310M-S	151166	RTA1-U	21.00	26.00	151198
TEFC			M3774T	158173	10.0	480	3	215T	1.15	85	CL01A310T-U	151153	RTA1-P	10.00	16.00	151194
TEFC			M3774T-5	158174	11.4	575	3	215T	1.15	85	CL01A310T-Y	151154	RTA1-N	8.00	12.00	151193
TEFC			E301M	142443	38.0	240	3	254T	1.15	82	CL06A311M-S	151172	RTA2-E	30.00	43.00	151206
TEFC	15	34	E301M	142443	19.0	480	3	254T	1.15	82	CL25A310T-U	151162	RTA1-T	17.50	22.00	151197
TEFC			FM2333-5	142444	15.0	575	3	254T	1.15	82	CL02A310T-Y	151158	RTA1-P	10.00	16.00	151194
TEFC			FM2334T	142301	52.0	240	3	256T	1.15	81	CL07A311M-S	151175	RTA2-G	42.00	55.00	151202
TEFC	20	35	FM2334T	142301	26.0	480	3	256T	1.15	81	CL04A310M-U	151167	RTA1-V	25.00	32.00	151199
TEFC			FM2334T-5	142302	20.6	575	3	256T	1.15	81	CL25A310T-Y	151163	RTA1-T	17.50	22.00	151197

Code 360 Blower Motor								Frame Size	Service Factor	Power Factor	Starter (AN10)		Starter Overload			
Type	HP	AL	Mfr's #.	P/N	fla	volt	ph				Mfr #	P/N	Mfr #	min	max	P/N
EE	1	36	DHP0014	159328	3.1	208	3	143T	1.15	83.5	CL00A310T-L	151150	RTA1-K	2.50	4.10	151190
EE			DHP0014	159328	2.8	240	3	143T	1.15		CL00A310T-S	151147	RTA1-K	2.50	4.10	151190
EE			DHP0014	159328	1.4	480	3	143T	1.15		CL00A310T-U	151148	RTA1-G	1.00	1.50	151187
EE			E1006	158175	1.1	575	3	N143T	1.15		CL00A310T-Y	151149	RTA1-G	1.00	1.50	151187
EE	1.5	37	E104	105662	4.5	208	3	P145T	1.15	86	CL00A310T-L	151150	RTA1-L	4.00	6.30	151191
EE			E1016	159329	4.0	240	3	145T	1.15		CL00A310T-S	151147	RTA1-K	2.50	4.10	151190
EE			E1016	159329	2.0	480	3	145T	1.15		CL00A310T-U	151148	RTA1-J	1.90	2.70	151189
EE	2	38	E1007	158162	1.6	575	3	R145T	1.15	85.3	CL00A310T-Y	151149	RTA1-H	1.30	1.90	151188
EE			E105	105664	6.1	208	3	P145T	1.15	86.8	CL00A310T-L	151150	RTA1-L	4.00	6.30	151191
EE			E1017	159027	5.6	240	3	145T	1.15		CL00A310T-S	151147	RTA1-L	4.00	6.30	151191
EE			E1017	159027	2.8	480	3	145T	1.15		CL00A310T-U	151148	RTA1-K	2.50	4.10	151190
EE	3	39	E1008	158176	2.1	575	3	P145T	1.15	86	CL00A310T-Y	151149	RTA1-J	1.90	2.70	151189
EE			35L405S489G3	159186	8.3	208	3	145T	1.15		CL00A310T-L	151150	RTA1-N	8.00	12.00	151193
EE			EM3158T	159028	7.4	240	3	145T			CL00A310T-S	151147	RTA1-M	5.50	8.50	151192
EE			EM3158T	159028	3.7	480	3	145T			CL00A310T-U	151148	RTA1-K	2.50	4.10	151190
EE			35L405S709G1	159030	3.0	575	3	145T	1.15		CL00A310T-Y	151149	RTA1-K	2.50	4.10	151190
EE	5	40	E204	159029	11.6	208	3	H182T	1.15	89	CL02A310T-L	151159	RTA1-P	10.00	16.00	151194
EE			E204	159029	11.6	240	3	H182T	1.15	89	CL02A310T-S	151157	RTA1-P	10.00	16.00	151194
EE			E204	159029	5.8	480	3	H182T	1.15	89	CL00A310T-U	151148	RTA1-M	5.50	8.50	151192
EE			M3613T-5	111602	4.8	575	3	184T	1.15		CL00A310T-Y	151149	RTA1-L	4.00	6.30	151191
EE	7.5	41	E316	159331	21.4	208	3	D213T	1.15	82	CL04A310M-L	151169	RTA1-U	21.00	26.00	151198
EE			E317	159332	18.6	240	3	D213T	1.15	82	CL25A310T-S	151161	RTA1-T	17.50	22.00	151197
EE			E317	159332	9.3	480	3	D213T	1.15	82	CL00A310T-U	151148	RTA1-N	8.00	12.00	151193
EE			M3311T-5	158164	7.7	575	3	213T	1.15	81.5	CL00A310T-Y	151149	RTA1-M	5.50	8.50	151192
EE			EM3313T	159334	26.0	208	3	215T	1.15	85.5	CL04A310M-L	151169	RTA1-V	25.00	32.00	151199
EE	10	42	EM3313T	159334	25.0	240	3	215T	1.15	85.5	CL04A310M-S	151166	RTA1-U	21.00	26.00	151198
EE			EM3313T	159334	12.5	480	3	215T	1.15	85.5	CL01A310T-U	151153	RTA1-P	10.00	16.00	151194
EE			M3313T-5	158163	10.4	575	3	215T	1.15	81	CL00A310T-Y	151149	RTA1-P	10.00	16.00	151194

(continued)

Replacement Blower Motors and Starters (cont'd) - See replacement information, top of page 27.

Code 360- Blower Motor (Premium Efficient)								Frame	Service	Power	Starter (AN10)		Starter Overload			
Type	HP	AL	Mfr's #.	P/N	fla	volt	ph	Size	Factor	Factor	Mfr #	P/N	Mfr #	min	max	P/N
EE	15	43	EFM2513T-8	142440	40.7	208	3	254T	1.15	84	CL06A311M-L	151173	RTA2-E	30.00	43.00	151206
EE			EFM2513T	142441	35.4	240	3	254T	1.15	84	CL06A311M-S	151172	RTA2-E	30.00	43.00	151206
EE			EFM2513T	142441	17.7	480	3	254T	1.15	84	CL25A310T-U	151162	RTA1-T	17.50	22.00	151197
EE			EFM2513T-5	142289	16.0	575	3	254T	1.15	84	CL02A310T-Y	151158	RTA1-P	10.00	16.00	151194
EE	20	44	E452-F2	159187	57.0	208	3	S256T	1.15	84	CL07A311M-L	151176	RTA2-H	54.00	65.00	151203
EE			EFM2515T	142299	47.0	240	3	256T	1.15	84	CL06A311M-S	151172	RTA2-G	42.00	55.00	151202
EE			EFM2515T	142299	23.5	480	3	256T	1.15	84	CL04A310M-U	151167	RTA1-U	21.00	26.00	151198
EE			EFM2515T-5	142300	19.2	575	3	256T	1.15	84	CL25A310T-Y	151163	RTA1-T	17.50	22.00	151197

Code 361 - 2 Speed Blower Motors

Motor Data			Maximum Mtr Amp Draw		Motor P/N (Volts - Phase)			IEC Starter	
Rated HP	Century P/N	Frame	1800 RPM	1200 RPM	208-3	240-3	480-3	Manufacturer's P/N	P/N
1/44	M124	M145T	3.8	2.4	105641			AEG2SP-S17-C-I-H-O	114971
1/44	M124	M145T	3.4	2.2		105641		AEG2SP-S17-C-I-H-O	114971
1/44	M109	M145T	1.7	1.1			105642	AEG2SP-S17-E-G-F-O	114972
1.5/68	M125	N145T	5.4	3.1	105643			AEG2SP-S17-C-K-I-O	114973
1.5/68	M125	N145T	4.9	2.8		105643		AEG2SP-S17-C-K-I-O	114973
1.5/68	M104	N145T	2.4	1.4			105644	AEG2SP-S17-E-H-G-O	114974
2/88	M220	S182T	6.5	4.2	105645			AEG2SP-S17-C-L-K-O	114975
2/88	M220	S182T	5.9	3.8		105645		AEG2SP-S17-C-L-I-O	114976
2/88	M207	S182T	3.4	2.1			105646	AEG2SP-S17-E-I-H-O	114977
3/1.3	M221	S184T	9.3	5.3	105647			AEG2SP-S17-C-M-K-O	114978
3/1.3	M221	S184T	8.4	4.8		105647		AEG2SP-S17-C-M-K-O	114978
3/1.3	M208	S184T	4.6	2.6			105648	AEG2SP-S17-E-K-H-O	114979
5/2.2	M320	S215T	17.2	11.3	105870			AEG2SP-S17-C-O-M-O	114980
5/2.2	M320	S215T	15.5	10.2		105870		AEG2SP-S17-C-O-M-O	114980
5/2.2	M305	S215T	7.1	4.8			105871	AEG2SP-S17-E-L-K-O	114981
7.5/3.3	M317	Y215T	21.6	13.6	105872			AEG2SP-S17-C-O-N-O	114982
7.5/3.3	M317	Y215T	19.5	12.3		105872		AEG2SP-S17-C-O-N-O	114982
7.5/3.3	M315	D215T	10.0	6.0			105873	AEG2SP-S17-E-M-L-O	114983
10/4.4	M421	S256T	31.0	19.4	105874			AEG2SP-S17-C-P-O-O	114984
10/4.4	M421	S256T	28.0	17.5		105874		AEG2SP-S17-C-P-O-O	114984
10/4.4	M413	S256T	13.5	7.5			105875	AEG2SP-S17-E-N-L-O	114985

Code 362 - Replacement Holding Coils for IEC Starters

Voltage	GE #	P/N	For Use with Starters Beginning with GE#
24	LB1A-C	151280	CL00; CL01; CL02; CL25
120	LB1A-J	151281	CL00; CL01; CL02; CL25
208	LB1A-L	151282	CL00; CL01; CL02; CL25
230	LB1A-S	151283	CL00; CL01; CL02; CL25
460	LB1A-U	151284	CL00; CL01; CL02; CL25
575	LB1A-Y	151285	CL00; CL01; CL02; CL25
24	LB3A-C	151286	CL04; CL45
120	LB3A-J	151287	CL04; CL45
208	LB3A-L	151288	CL04; CL45
230	LB3A-S	151289	CL04; CL45
460	LB3A-U	151290	CL04; CL45
575	LB3A-Y	151291	CL04; CL45
208	LB4A-L	151292	CL06; CL07; CL08; CL09
230	LB4A-S	151293	CL06; CL07; CL08; CL09
460	LB4A-U	151294	CL06; CL07; CL08; CL09

Code 363 - Replacement Parts for NEMA Starters

IEC Two-Speed Starter

Effective 9/91, IEC two-speed starters are used. Prior to 9/91, units with 2-speed motors were equipped with NEMA starters. If replacing a NEMA starter with an IEC starter, replace the complete starter. See terminal cross reference chart (right). Original box and cover may be used for replacement IEC starter.

	NEMA	IEC
Starter Wire Terminals		
High Speed	D	2T1
	F	6T3
	E	4T2
Low Speed	A	2T1
	C	6T3
	B	4T2
Relay/Starter Coil Terminals		
	9	96 95

Drive Options and Components

Drive components include the belt, motor pulley, blower pulley, and bushings, if required. The table at the right identifies the RPM range of the drive option. Drive options are listed by AM No.

(NOTE: Components listed are for currently used motors. If shaft size is different than listed or if there are no parts listed, check the replacement parts tag and/or contact the distributor or factory service for replacement parts.)

Belt Tension - Check belt tension. Proper belt tension is important to the long life of the belt and motor. A loose belt will cause wear and slippage. Too much tension will cause excessive motor and blower bearing wear. If adjustment is required, adjust belt tension with the adjusting screw on the motor base until the belt can be depressed 1/2" to 3/4". Tighten the lock nut on the adjusting screw. Be sure the belt is aligned in the pulleys.

Drives - Model Series (H)(C)RGB, (H)(C)RPB, and Blower Cabinet Model RBA

Drive Components for Code 360 - Blower Motors

OPT	RPM Range	OPT	RPM Range	OPT	RPM Range	OPT	RPM Range
AM2	451-500	AM8	751-800	AM14	1051-1100	AM19	1301-1350
AM3	501-550	AM9	801-850	AM15	1101-1150	AM20	1351-1400
AM4	551-600	AM10	851-900	AM16	1151-1200	AM21	1401-1450
AM5	601-650	AM11	901-950	AM17	1201-1250	AM22	1451-1500
AM6	651-700	AM12	951-1000	AM18	1251-1300	AM23	1501-1550
AM7	701-750	AM13	1001-1050				

Unit Sizes	Motor		Voltage Option	Drive AM Nos. (See Key chart above)			Code 365 - Motor Pulley			Code 366 - Blower Pulley			Code 367 - Belt		*Shaft Centerline
	HP	Opt		P/N	Mfr #	Bore	P/N	Mfr #	Bore	P/N	Qty	Mfr #			
75 100 125	1/4	AL2	AK1 (115/1); AK2 (208/1); AK3 (230/1); AK5 (208/3); AK6 (230/3); AK7 (460/3)	AM 1, 2, 3, 4	4074	1VL34	1/2	19110	AK84	3/4	105493	1	A39	11.82	
				AM 5, 6, 7, 8, 9	13491	1VL40	1/2	111607	AK74	3/4	16018	1	A38	12.06	
	AM 2, 3, 4	4074		1VP34	1/2	19110	AK84	3/4	105493	1	A39	11.56			
	AM 5, 6, 7, 8	13491		1VL40	1/2	111607	AK74	3/4	16018	1	A38	11.82			
	AM 9, 10, 11, 12, 13, 14	4074		1VP34	1/2	105477	AK46	3/4	101291	1	A33	11.56			
	AM 5, 6, 7, 8	13580		1VL34	5/8	19108	AK64	3/4	105490	1	A36	12.57			
	1/3	AL3	AK1 (115/1); AK2 (208/1); AK3 (230/1); AK5 (208/3); AK6 (230/3); AK7 (460/3); AK8 (575/3)	AM 9, 10, 11	105476	1VL44	5/8	105484	AK71H ^A	3/4	105493	1	A39	12.32	
				AM 12, 13, 14, 15, 16, 17, 18	13580	1VL34	5/8	105478	AK41	3/4	101291	1	A33	12.46	
	AM 7, 8, 9, 10	7962		1VL40	5/8	19108	AK64	3/4	16018	1	A38	12.70			
	AM 11, 12, 13, 14, 15	13580		1VL34	5/8	105477	AK46	3/4	105488	1	A34	12.56			
	AM 16, 17, 18, 19, 20, 21, 22	7962		1VL40	5/8	105478	AK41	3/4	105488	1	A34	12.58			
	AM 9, 10, 11, 12, 13, 14, 15	13580		1VL34	5/8	105477	AK46	3/4	105488	1	A34	12.56			
	1/2	AL4	AK1 (115/1); AK2 (208/1); AK3 (230/1); AK5 (208/3); AK6 (230/3); AK7 (460/3); AK8 (575/3)	AM 16, 17, 18, 19, 20, 21, 22	7962	1VL40	5/8	105478	AK41	3/4	105488	1	A34	12.50	
				AM 11, 12, 13	105476	1VL44	5/8	19108	AK64	3/4	16018	1	A38	12.40	
	AM 14, 15, 16, 17	7962		1VL40	5/8	105479	AK49	3/4	105489	1	A35	12.43			
	AM 18, 19, 20, 21, 22	7962		1VL40	5/8	105478	AK41	3/4	105488	1	A34	12.58			
	AM 13, 14, 15, 16, 17	7962		1VL40	5/8	105479	AK49	3/4	105489	1	A35	12.43			
	AM 18, 19, 20, 21, 22	7962		1VL40	5/8	105478	AK41	3/4	105488	1	A34	12.58			
	3/4	AL5	AK1 (115/1); AK2 (208/1); AK3 (230/1); AK5 (208/3); AK6 (230/3); AK7 (460/3); AK8 (575/3)	AM 13, 14, 15, 16, 17	13013	1VM50	5/8	111606	BK140	3/4	92221	1	B52	12.46	
				AM 18, 19, 20, 21, 22, 23, 24	13013	1VM50	5/8	111607	AK74	3/4	105493	1	A39	12.27	
AM 13, 14, 15, 16, 17	37451	1VM50		7/8	111606	BK140	3/4	92221	1	B52	12.46				
AM 18, 19, 20, 21, 22, 23, 24	37451	1VM50		7/8	111607	AK74	3/4	105493	1	A39	12.27				
AM 16, 17, 18, 19, 20, 21, 22	7962	1VL40		5/8	105478	AK41	3/4	105488	1	A34	12.50				
AM 11, 12, 13	105476	1VL44		5/8	19108	AK64	3/4	16018	1	A38	12.40				
1	AL6	AK1 (115/1); AK2 (208/1); AK3 (230/1); AK5 (208/3); AK6 (230/3); AK7 (460/3); AK8 (575/3)	AM 14, 15, 16, 17	7962	1VL40	5/8	105479	AK49	3/4	105489	1	A35	12.43		
			AM 18, 19, 20, 21, 22	7962	1VL40	5/8	105478	AK41	3/4	105488	1	A34	12.58		
AM 13, 14, 15, 16, 17	7962		1VL40	5/8	105479	AK49	3/4	105489	1	A35	12.43				
AM 18, 19, 20, 21, 22	7962		1VL40	5/8	105478	AK41	3/4	105488	1	A34	12.58				
AM 13, 14, 15, 16, 17	13013		1VM50	5/8	111606	BK140	3/4	92221	1	B52	12.46				
AM 18, 19, 20, 21, 22, 23, 24	13013		1VM50	5/8	111607	AK74	3/4	105493	1	A39	12.27				
1-1/2	AL7	AK1 (115/1); AK2 (208/1); AK3 (230/1); AK5 (208/3); AK6 (230/3); AK7 (460/3)	AM 13, 14, 15, 16, 17	37451	1VM50	7/8	111606	BK140	3/4	92221	1	B52	12.46		
			AM 18, 19, 20, 21, 22, 23, 24	37451	1VM50	7/8	111607	AK74	3/4	105493	1	A39	12.27		
AM 16, 17, 18, 19, 20, 21, 22	7962		1VL40	5/8	105478	AK41	3/4	105488	1	A34	12.50				
AM 11, 12, 13	105476		1VL44	5/8	19108	AK64	3/4	16018	1	A38	12.40				
AM 14, 15, 16, 17	7962		1VL40	5/8	105479	AK49	3/4	105489	1	A35	12.43				
AM 18, 19, 20, 21, 22	7962		1VL40	5/8	105478	AK41	3/4	105488	1	A34	12.58				
2	AL8	AK1 (115/1); AK2 (208/1); AK3 (230/1); AK5 (208/3); AK6 (230/3); AK7 (460/3)	AM 13, 14, 15, 16, 17	13013	1VM50	5/8	111606	BK140	3/4	92221	1	B52	12.46		
			AM 18, 19, 20, 21, 22, 23, 24	13013	1VM50	5/8	111607	AK74	3/4	105493	1	A39	12.27		
AM 13, 14, 15, 16, 17	37451		1VM50	7/8	111606	BK140	3/4	92221	1	B52	12.46				
AM 18, 19, 20, 21, 22, 23, 24	37451		1VM50	7/8	111607	AK74	3/4	105493	1	A39	12.27				
AM 16, 17, 18, 19, 20, 21, 22	7962		1VL40	5/8	105478	AK41	3/4	105488	1	A34	12.50				
AM 11, 12, 13	105476		1VL44	5/8	19108	AK64	3/4	16018	1	A38	12.40				
3	AL9	AK2 (208/1); AK3 (230/1)	AM 14, 15, 16, 17	7962	1VL40	5/8	105479	AK49	3/4	105489	1	A35	12.43		
			AM 18, 19, 20, 21, 22	7962	1VL40	5/8	105478	AK41	3/4	105488	1	A34	12.58		
AM 13, 14, 15, 16, 17	13013		1VM50	5/8	111606	BK140	3/4	92221	1	B52	12.46				
AM 18, 19, 20, 21, 22, 23, 24	13013		1VM50	5/8	111607	AK74	3/4	105493	1	A39	12.27				
AM 13, 14, 15, 16, 17	37451		1VM50	7/8	111606	BK140	3/4	92221	1	B52	12.46				
AM 18, 19, 20, 21, 22, 23, 24	37451		1VM50	7/8	111607	AK74	3/4	105493	1	A39	12.27				
150 175 200 225 RBA	1/4**	AL2	AK1 (115/1); AK2 (208/1); AK3 (230/1); AK5 (208/3); AK6 (230/3); AK7 (460/3)	AM 2, 3, 4	4074	1VL34	1/2	19111	AK84	1	50470	1	A43	13.86	
				AM 2, 3, 4	4074	1VL34	1/2	19111	AK84	1	50470	1	A43	13.86	
	AM 5, 6, 7	4074		1VL34	1/2	18797	AK64	1	16019	1	A40	14.08			
	AM 2, 3, 4	13580		1VL34	5/8	19111	AK84	1	50470	1	A43	14.00			
	AM 5, 6, 7, 8	13580		1VL34	5/8	18797	AK64	1	16019	1	A40	14.08			
	AM 9, 10, 11	13580		1VL34	5/8	105481	AK46	1	105491	1	A37	14.06			
	1/3	AL3	AK1 (115/1); AK2 (208/1); AK3 (230/1); AK5 (208/3); AK6 (230/3); AK7 (460/3); AK8 (575/3)	AM 5, 6, 7, 8	13580	1VL34	5/8	18797	AK64	1	16019	1	A40	14.58	
				AM 9, 10, 11, 12, 13, 14, 15	13580	1VL34	5/8	105481	AK46	1	105491	1	A37	14.56	
	AM 7, 8	13580		1VL34	5/8	18797	AK64	1	16019	1	A40	14.08			
	AM 9, 10, 11, 12, 13, 14	13580		1VL34	5/8	105481	AK46	1	105491	1	A37	14.06			
	AM 15, 16, 17	7962		1VL40	5/8	105481	AK46	1	16018	1	A38	14.18			
	AM 9, 10, 11	105476		1VL44	5/8	19108	AK64	1	101412	1	A42	13.83			
	1/2	AL4	AK1 (115/1); AK2 (208/1); AK3 (230/1); AK5 (208/3); AK6 (230/3); AK7 (460/3); AK8 (575/3)	AM 12, 13, 14, 15, 16	105476	1VL44	5/8	105484	AK71H ^C	1	16019	1	A40	14.07	
				AM 17, 18	7962	1VL40	5/8	105482	AK56	1	16018	1	A38	14.18	
	AM 9, 10, 11	7962		1VL40	5/8	18797	AK64	1	50500	1	A41	17.21			
	AM 12, 13, 14, 15, 16, 17	105476		1VL44	5/8	105482	AK56	1	16019	1	A40	14.07			
	AM 18, 19, 20	7962		1VL40	5/8	105481	AK46	1	16018	1	A38	14.18			
	AM 9, 10, 11	106748		1VL40	7/8	18797	AK64	1	50500	1	A41	17.21			
	3/4	AL5	AK1 (115/1); AK2 (208/1); AK3 (230/1); AK5 (208/3); AK6 (230/3); AK7 (460/3); AK8 (575/3)	AM 12, 13, 14, 15, 16, 17	106758	1VL44	7/8	105482	AK56	1	16019	1	A40	14.07	
				AM 18, 19, 20	106748	1VL40	7/8	105481	AK46	1	16018	1	A38	14.18	
AM 13, 14, 15, 16, 17	13013	1VM50		5/8	111606	BK140	3/4	50474	1	A47	14.20				
AM 18, 19, 20, 21	13013	1VM50		5/8	111607	AK74	3/4	52966	1	A44	14.00				
AM 13, 14, 15, 16, 17	106748	1VL40		7/8	111609	AK99	1	50474	1	A47	14.20				
AM 18, 19, 20, 21	106748	1VL40		7/8	19111	AK84	1	52966	1	A44	14.00				
1	AL6	AK5 (208/3); AK6 (230/3); AK7 (460/3); AK8 (575/3)	AM 16, 17, 18, 19, 20, 21, 22	87500	2VP36	7/8	91633	2TB86 ^P	1	16139	1	B45	14.31		
			AM 20, 21, 22, 23	8973	2VP50	7/8	7955	2BK100	1	50477	1	A49	14.07		
AM 2, 3, 4	13580		1VL34	5/8	19111	AK84	1	105493	1	A39	11.82				
AM 5, 6, 7, 8	13580		1VL34	5/8	18797	AK64	1	105490	1	A36	12.06				
AM 5, 6, 7	13580		1VL34	5/8	18797	AK64	1	105490	1						

Drives - Model Series (H)(C)RGB, (H)(C)RPB, and Blower Cabinet Model RBA (cont'd)

Drive Components for Code 360 - Blower Motors (cont'd)

Unit Sizes	Motor		Voltage Option	Drive AM Nos.			Code 365 - Motor Pulley			Code 366 - Blower Pulley			Code 367 - Belt		*Shaft
	HP	Opt		(See Key, chart on page 31.)	P/N	Mfr #	Bore	P/N	Mfr #	Bore	P/N	Qty	Mfr #	Centerline	
250 300 cont'd	3	AL9	AK2 (208/1); AK3 (230/1)	AM 9, 10, 11, 12	7962	IVL40	5/8	202652	AK124	1	50475	1	A49	12.14	
				AM 13, 14, 15, 16, 17	7962	IVL40	5/8	202653	AK94	1	52966	1	A44	12.14	
				AM 18, 19, 20, 21, 22	7962	IVL40	5/8	105483	AK89	1	16019	1	A40	12.02	
	5	AL10	AK5 (208/3); AK6 (230/3); AK7 (460/3); AK8 (575/3)	AM 13, 14, 15, 16, 17	106748	1VL40	7/8	111609	AK99	1	40570	1	A43	12.14	
				AM 18, 19, 20, 21, 22	37451	1VM50	7/8	16153	AK104	1	50472	1	A45	12.02	
				AM 15, 16, 17, 18, 19	87500	2VP36	7/8	91633	2TB86 ^p	1	111738	1	B41	12.27	
350 400	3/4	AL5	AK1 (115/1); AK2 (208/1); AK3 (230/1); AK5 (208/3); AK6 (230/3); AK7 (460/3)	AM 2, 3, 4	13580	1VL34	5/8	19111	AK84	1	52966	1	A44	14.37	
				AM 5, 6	7962	1VL40	5/8	19111	AK84	1	52966	1	A44	14.01	
				AM 3, 4, 5, 6	13580	1VL34	5/8	105484	AK71H ^c	1	50500	1	A41	13.98	
	1	AL6	AK1 (115/1); AK2 (208/1); AK3 (230/1); AK5 (208/3); AK6 (230/3); AK7 (460/3)	AM 7, 8, 9, 10, 11	13580	1VL34	5/8	105482	AK56	1	105493	1	A39	14.25	
				AM 6, 7, 8, 9	7962	1VL40	5/8	105484	AK71H ^c	1	101412	1	A42	14.12	
				AM 10, 11, 12, 13	105476	1VL44	5/8	18797	AK64	1	101412	1	A42	13.91	
	1-1/2	AL7	AK1 (115/1); AK2 (208/1); AK3 (230/1); AK5 (208/3); AK6 (230/3); AK7 (460/3)	AM 14, 15, 16, 17, 18	7962	1VL40	5/8	105481	AK46	1	16048	1	A38	14.18	
				AM 9, 10, 11	7962	1VL40	5/8	18797	AK64	1	50500	1	A41	14.21	
				AM 12, 13, 14, 15, 16	105476	1VL44	5/8	105482	AK56	1	16019	1	A40	14.07	
	2	AL8	AK5 (208/3); AK6 (230/3); AK7 (460/3)	AM 17, 18, 19, 20	7962	1VL40	5/8	105481	AK46	1	16018	1	A38	14.18	
				AM 9, 10, 11	106748	1VL40	7/8	18797	AK64	1	50500	1	A41	14.21	
				AM 12, 13, 14, 15, 16	106758	1VL44	7/8	105482	AK56	1	16019	1	A40	14.07	
	3	AL9	AK2 (208/1); AK3 (230/1)	AM 17, 18, 19, 20	106758	1VL44	7/8	105481	AK46	1	16018	1	A38	14.18	
				AM 9, 10, 11, 12	7962	1VL40	5/8	202652	AK124	1	50513	1	A52	12.14	
				AM 13, 14, 15, 16, 17, 18, 19	7962	1VL40	5/8	202653	AK94	1	50474	1	A47	12.14	
	5	AL10	AK5 (208/3); AK6 (230/3); AK7 (460/3); AK8 (575/3)	AM 20, 21, 22, 23, 24, 25, 26	7962	1VL40	5/8	105483	AK69	1	50470	1	A43	12.02	
				AM 9, 10, 11, 12, 13	106758	1VL44	7/8	50520	AK99	1	16131	1	A54	14.22	
				AM 14, 15, 16, 17, 18, 19	106758	1VL44	7/8	16153	AK104	1	65403	1	A48	13.97	
	5	AL10	AK5 (208/3); AK6 (230/3); AK7 (460/3); AK8 (575/3)	AM 12, 13, 14, 15, 16, 17	6599	2VP42	7/8	7955	2AK104	1	65403	1	A48	14.11	
				AM 18, 19, 20, 21, 22	8973	2VP50	7/8	7955	2AK104	1	50472	1	A49	14.06	

*Distance between blower shaft and motor centerline with belts tensioned properly. **Not for Model 200 or 225.

^aUse a 3/4 "H" blower pulley bushing, P/N 105487; ^cUse a 1" blower pulley bushing, P/N 92203; ^pUse a 1" Q1 motor pulley bushing, P/N 6605.

Drive Components for Code 360 - Blower Motors (See drive information, top of page 31.)

Unit Sizes	Motor		Voltage Option	Drive AM Nos.			Code 365 - Motor Pulley			Code 366 - Blower Pulley			Code 367 - Belt		*Shaft
	HP	Opt		(See Key, chart on page 31.)	P/N	Mfr #	Bore	P/N	Mfr #	Bore	P/N	Qty	Mfr #	Centerline	
75 100 125	1/4	AL19	AK1 (115/1); AK2 (208/1); AK3 (230/1); AK5 (208/3); AK6 (230/3); AK7 (460/3)	AM 1, 2, 3, 4	13580	1VL34	5/8	19110	AK84	3/4	16019	1	A40	12.32	
				AM 5, 6, 7, 8, 9	7962	1VL40	5/8	111607	AK74	3/4	105493	1	A39	12.56	
	1/3	AL20	AK1 (115/1); AK2 (208/1); AK3 (230/1); AK5 (208/3); AK6 (230/3); AK7 (460/3)	AM 2, 3, 4	4074	1VP34	1/2	19110	AK84	3/4	105493	1	A39	11.82	
				AM 5, 6, 7, 8	13491	1VL40	1/2	111607	AK74	3/4	16018	1	A38	11.56	
	1/2	AL21	AK1 (115/1); AK2 (208/1); AK3 (230/1); AK5 (208/3); AK6 (230/3); AK7 (460/3); AK8 (575/3)	AM 9, 10, 11, 12, 13, 14	4074	1VP34	1/2	105477	AK46	3/4	101291	1	A33	11.56	
				AM 5, 6, 7, 8	13580	1VL34	5/8	19108	AK64	3/4	105490	1	A36	12.57	
				AM 9, 10, 11	105476	1VL44	5/8	105484	AK71H ^a	3/4	105493	1	A39	12.32	
	3/4	AL22	AK1 (115/1); AK2 (208/1); AK3 (230/1); AK5 (208/3); AK6 (230/3); AK7 (460/3); AK8 (575/3)	AM 12, 13, 14, 15, 16, 17, 18	13580	1VL34	5/8	105478	AK41	3/4	101291	1	A33	12.46	
				AM 7, 8, 9, 10	7962	1VL40	5/8	19108	AK64	3/4	16018	1	A38	12.7	
				AM 11, 12, 13, 14, 15	13580	1VL34	5/8	105477	AK46	3/4	105488	1	A34	12.56	
	1	AL23	AK1 (115/1); AK2 (208/1); AK3 (230/1); AK5 (208/3); AK6 (230/3); AK7 (460/3)	AM 16, 17, 18, 19, 20, 21, 22	7962	1VL40	5/8	105478	AK41	3/4	105488	1	A34	12.58	
				AM 9, 10, 11, 12, 13, 14, 15	13580	1VL34	5/8	105477	AK46	3/4	105488	1	A34	12.56	
				AM 16, 17, 18, 19, 20, 21, 22	7962	1VL40	5/8	105478	AK41	3/4	105488	1	A34	12.50	
	1-1/2	AL24	AK1 (115/1); AK2 (208/1); AK3 (230/1); AK5 (208/3); AK6 (230/3); AK7 (460/3)	AM 11, 12, 13	105476	1VL44	5/8	19108	AK64	3/4	16018	1	A38	12.40	
				AM 14, 15, 16, 17	7962	1VL40	5/8	105479	AK49	3/4	105489	1	A35	12.43	
				AM 18, 19, 20, 21, 22	7962	1VL40	5/8	105478	AK41	3/4	105488	1	A34	12.58	
	2	AL25	AK3 (230/1); AK5 (208/3); AK6 (230/3); AK7 (460/3); AK8 (575/3)	AM 11, 12, 13	106758	1VL44	7/8	19108	AK64	3/4	16018	1	A38	12.40	
				AM 14, 15, 16, 17	106748	1VL40	7/8	105479	AK49	3/4	105489	1	A35	12.43	
				AM 18, 19, 20, 21, 22	106748	1VL40	7/8	105478	AK41	3/4	105488	1	A34	12.58	
	3	AL26	AK5 (208/3); AK6 (230/3); AK7 (460/3); AK8 (575/3)	AM 13, 14, 15, 16, 17	37451	1VM50	7/8	111606	BK140	3/4	92221	1	B52	12.46	
				AM 18, 19, 20, 21, 22, 23, 24	37451	1VM50	7/8	111607	AK74	3/4	105493	1	A39	12.27	
				AM 9, 10, 11, 12, 13, 14	13580	1VL34	5/8	19111	AK84	1	52966	1	A44	13.86	
	150 175 200 225 RBA	1/4**	AL19	AK1 (115/1); AK2 (208/1); AK3 (230/1); AK5 (208/3); AK6 (230/3); AK7 (460/3)	AM 2, 3, 4	4074	1VL34	1/2	19111	AK84	1	50470	1	A43	13.86
					AM 5, 6, 7, 8	4074	1VL34	1/2	18797	AK64	1	16019	1	A40	14.08
1/3		AL20	AK1 (115/1); AK2 (208/1); AK3 (230/1); AK5 (208/3); AK6 (230/3); AK7 (460/3)	AM 2, 3, 4	13580	1VL34	5/8	19111	AK84	1	50470	1	A43	14.00	
				AM 5, 6, 7, 8	13580	1VL34	5/8	18797	AK64	1	16019	1	A40	14.08	
				AM 9, 10, 11	13580	1VL34	5/8	105481	AK46	1	105491	1	A37	14.06	
1/2		AL21	AK1 (115/1); AK2 (208/1); AK3 (230/1); AK5 (208/3); AK6 (230/3); AK7 (460/3); AK8 (575/3)	AM 5, 6, 7, 8	13580	1VL34	5/8	18797	AK64	1	16019	1	A40	14.08	
				AM 9, 10, 11	13580	1VL34	5/8	105481	AK46	1	105491	1	A37	14.06	
				AM 5, 6, 7, 8	13580	1VL34	5/8	18797	AK64	1	16019	1	A40	14.58	
3/4		AL22	AK1 (115/1); AK2 (208/1); AK3 (230/1); AK5 (208/3); AK6 (230/3); AK7 (460/3); AK8 (575/3)	AM 9, 10, 11, 12, 13, 14, 15	13580	1VL34	5/8	105481	AK46	1	105488	1	A34	14.56	
				AM 7, 8	13580	1VL34	5/8	18797	AK64	1	16019	1	A40	14.08	
				AM 9, 10, 11, 12, 13, 14	13580	1VL34	5/8	105481	AK46	1	105491	1	A34	14.06	
1		AL23	AK1 (115/1); AK2 (208/1); AK3 (230/1); AK5 (208/3); AK6 (230/3); AK7 (460/3)	AM 15, 16, 17	7962	1VL40	5/8	105481	AK46	1	16018	1	A38	14.18	
				AM 9, 10, 11	105476	1VL44	5/8	105484	AK71H ^a	1	101412	1	A42	13.83	
				AM 12, 13, 14, 15, 16	105476	1VL44	5/8	105482	AK56	1	16019	1	A40	14.07	
1-1/2		AL24	AK1 (115/1); AK2 (208/1); AK3 (230/1); AK5 (208/3); AK6 (230/3); AK7 (460/3)	AM 17, 18	7962	1VL40	5/8	105481	AK46	1	16018	1	A38	14.18	
				AM 9, 10, 11	106758	1VL44	7/8	105484	AK71H ^a	1	101412	1	A42	13.83	
				AM 12, 13, 14, 15, 16	106748	1VL40	7/8	105482	AK56	1	16019	1	A40	14.07	
2		AL25	AK3 (230/1); AK5 (208/3); AK6 (230/3); AK7 (460/3); AK8 (575/3)	AM 17, 18	106748	1VL40	7/8	105481	AK46	1	16018	1	A38	14.18	
				AM 9, 10, 11	106748	1VL40	7/8	18797	AK64	1	50500	1	A41	14.21	
				AM 12, 13, 14, 15, 16, 17	106758	1VL44	7/8	105482	AK56	1	16019	1	A40	14.07	
3		AL26	AK5 (208/3); AK6 (230/3); AK7 (460/3); AK8 (575/3)	AM 18, 19, 20	106748	1VL40	7/8	105481	AK46	1	16018	1	A38	14.18	
				AM 13, 14, 15, 16, 17	106748	1VL40	7/8	111609	AK99	1	50474	1	A47	14.20	
				AM 18, 19, 20, 21	106748	1VL40	7/8	19111	AK84	1	52966	1	A44	14.00	

Unit Sizes	Motor		Voltage Option	Drive AM Nos.	Code 365 - Motor Pulley			Code 366 - Blower Pulley			Code 367 - Belt			*Shaft
	HP	Opt		(See Key, chart on page 31.)	P/N	Mfr #	Bore	P/N	Mfr #	Bore	P/N	Qty	Mfr #	Centerline
250 300	1/2	AL21	AK1 (115/1); AK2 (208/1); AK3 (230/1); AK5 (208/3); AK6 (230/3); AK7 (460/3); AK8 (575/3)	AM 2, 3, 4	13580	1VL34	5/8	19111	AK84	1	105493	1	A39	11.82
				AM 5, 6, 7, 8	13580	1VL34	5/8	18797	AK64	1	105490	1	A36	12.06
	AM 5, 6, 7	13580		1VL34	5/8	18797	AK64	1	105490	1	A36	12.06		
	AM 8, 9, 10, 11	13580		1VL34	5/8	105482	AK56	1	105489	1	A35	12.24		
	AM 7, 8, 9, 10, 11	13580		1VL34	5/8	105482	AK56	1	105489	1	A35	12.24		
	AM 12, 13, 14, 15, 16	13580		1VL34	5/8	105481	AK46	1	101291	1	A33	12.06		
	1-1/2	AL24	AK1 (115/1); AK2 (208/1); AK3 (230/1); AK5 (208/3); AK6 (230/3); AK7 (460/3)	AM 9, 10, 11	7962	1VL40	5/8	18797	AK64	1	105491	1	A37	12.2
				AM 12, 13, 14, 15, 16	105476	1VL44	5/8	105482	AK56	1	105491	1	A37	12.06
				AM 17, 18, 19, 20, 21, 22, 23	105476	1VL44	5/8	105481	AK46	1	105489	1	A35	12.37
				AM 9, 10, 11	106748	1VL40	7/8	18797	AK64	1	105491	1	A37	12.20
				AM 12, 13, 14, 15, 16	106758	1VL44	7/8	105482	AK56	1	105491	1	A37	12.06
				AM 17, 18, 19, 20, 21, 22, 23	106758	1VL44	7/8	105481	AK46	1	105489	1	A35	12.37
	2	AL25	AK5 (208/3); AK6 (230/3); AK7 (460/3); AK8 (575/3)	AM 9, 10, 11	106748	1VL40	7/8	18797	AK64	1	105491	1	A37	12.2
				AM 12, 13, 14, 15, 16	106758	1VL44	7/8	105482	AK56	1	105490	1	A36	12.06
				AM 17, 18, 19, 20, 21, 22, 23	106758	1VL44	7/8	105481	AK46	1	105489	1	A35	12.37
	3	AL26	AK5 (208/3); AK6 (230/3); AK7 (460/3); AK8 (575/3)	AM 13, 14, 15, 16, 17	106748	1VL40	7/8	111609	AK99	1	50470	1	A43	12.14
				AM 18, 19, 20, 21, 22	37451	1VM50	7/8	16153	AK104	1	50472	1	A45	12.02
				AM 14, 15, 16, 17, 18, 19	106758	1VL44	7/8	16153	AK104	1	65403	1	A48	13.97
350 400	3/4	AL22	AK1 (115/1); AK2 (208/1); AK3 (230/1); AK5 (208/3); AK6 (230/3); AK7 (460/3)	AM 2, 3, 4	13580	1VL34	5/8	19111	AK84	1	52966	1	A44	14.37
				AM 5, 6	7962	1VL40	5/8	19111	AK84	1	52966	1	A44	14.01
	AM 3, 4, 5, 6	13580		1VL34	5/8	105484	AK71HC	1	50500	1	A41	13.98		
	AM 7, 8, 9, 10, 11	13580		1VL34	5/8	105482	AK56	1	105493	1	A39	14.25		
	AM 6, 7, 8, 9	7962		1VL40	5/8	105484	AK71HC	1	101412	1	A42	14.12		
	AM 10, 11, 12, 13	105476		1VL44	5/8	18797	AK64	1	101412	1	A42	13.91		
	1-1/2	AL24	AK1 (115/1); AK2 (208/1); AK3 (230/1); AK5 (208/3); AK6 (230/3); AK7 (460/3)	AM 14, 15, 16, 17, 18	7962	1VL40	5/8	105481	AK46	1	16018	1	A38	14.18
				AM 6, 7, 8, 9	106748	1VL40	7/8	105484	AK71HC	1	101412	1	A42	14.12
				AM 10, 11, 12, 13	106758	1VL44	7/8	18797	AK64	1	101412	1	A42	13.91
				AM 14, 15, 16, 17, 18	106748	1VL40	7/8	105481	AK46	1	16018	1	A38	14.18
				AM 6, 7, 8, 9	106748	1VL40	7/8	18797	AK64	1	50500	1	A41	14.21
				AM 12, 13, 14, 15, 16	106758	1VL44	7/8	105482	AK56	1	16019	1	A40	14.07
	2	AL25	AK5 (208/3); AK6 (230/3); AK7 (460/3)	AM 17, 18, 19, 20	106748	1VL40	7/8	105481	AK46	1	16018	1	A38	14.18
				AM 9, 10, 11, 12, 13	106758	1VL44	7/8	50520	AK99	1	16131	1	A54	14.22
				AM 14, 15, 16, 17, 18, 19	106758	1VL44	7/8	16153	AK104	1	65403	1	A48	13.97

*Distance between blower shaft and motor centerline with belts tensioned properly. **Not for Model 200 or 225.

^ Use a 3/4 "H" blower pulley bushing, P/N 105487; ° Use a 1" blower pulley bushing, P/N 92203; ° Use a 1" Q1 motor pulley bushing, P/N 6605.

Drive Components for Code 360 Blower Motors (Premium Efficiency) (See drive information, top of page 31.)

Unit Sizes	Motor		Voltage Option	Drive AM Nos.	Code 365 - Motor Pulley			Code 366 - Blower Pulley			Code 367 - Belt			*Shaft
	HP	Opt		(See Key, chart on page 31.)	P/N	Mfr #	Bore	P/N	Mfr #	Bore	P/N	Qty	Mfr #	Centerline
75 100 125	1	AL36	AK5 (208/3); AK6 (230/3); AK7 (460/3); AK8 (575/3)	AM 9, 10, 11, 12, 13, 14, 15	110125	1VP34	7/8	105477	AK46	3/4	105488	1	A34	12.56
				AM 16, 17, 18, 19, 20, 21, 22	106748	1VL40	7/8	105478	AK41	3/4	105488	1	A34	12.5
	1-1/2	AL37		AM 11, 12, 13	106758	1VL44	7/8	19108	AK64	3/4	16018	1	A38	12.4
				AM 14, 15, 16, 17	106748	1VL40	7/8	105479	AK49	3/4	105489	1	A35	12.43
	2	AL38		AM 18, 19, 20, 21, 22	106748	1VL40	7/8	105478	AK41	3/4	105488	1	A34	12.58
				AM 13, 14, 15, 16, 17	106748	1VL40	7/8	105479	AK49	3/4	105489	1	A35	12.43
				AM 18, 19, 20, 21, 22	106748	1VL40	7/8	105478	AK41	3/4	105488	1	A34	12.58
	3	AL39		AM 13, 14, 15, 16, 17	37451	1VM50	7/8	111606	BK140	3/4	92221	1	B52	12.46
				AM 18, 19, 20, 21, 22, 23, 24	37451	1VM50	7/8	111607	AK74	3/4	105493	1	A39	12.27
AM 14, 15, 16, 17, 18, 19			106748	1VL40	7/8	19111	AK84	1	52966	1	A44	14		
150 175 200 225 RBA	1	AL36	AK5 (208/3); AK6 (230/3); AK7 (460/3); AK8 (575/3)	AM 7, 8	110125	1VP34	7/8	18797	AK64	1	16019	1	A40	14.08
				AM 9, 10, 11, 12, 13, 14	110125	1VP34	7/8	105481	AK46	1	105490	1	A36	14.06
	1-1/2	AL37		AM 15, 16, 17	106748	1VL40	7/8	105481	AK46	1	16018	1	A38	14.18
				AM 9, 10, 11	106758	1VL44	7/8	105484	AK71HC	1	101412	1	A42	13.83
	2	AL38		AM 12, 13, 14, 15, 16	106758	1VL44	7/8	105482	AK56	1	16019	1	A40	14.07
				AM 17, 18, 19, 20	106748	1VL40	7/8	105481	AK46	1	16018	1	A38	14.18
				AM 9, 10, 11	106748	1VL40	7/8	18797	AK64	1	50500	1	A41	14.21
	3	AL39		AM 12, 13, 14, 15, 16, 17	106758	1VL44	7/8	105482	AK56	1	16019	1	A40	14.07
				AM 18, 19, 20	106748	1VL40	7/8	105481	AK46	1	16018	1	A38	14.18
AM 13, 14, 15, 16, 17			106748	1VL40	7/8	111609	AK99	1	50474	1	A47	14.2		
250 300	1	AL36	AK5 (208/3); AK6 (230/3); AK7 (460/3); AK8 (575/3)	AM 18, 19, 20, 21	106748	1VL40	7/8	19111	AK84	1	52966	1	A44	14
				AM 7, 8, 9, 10, 11	110125	1VP34	7/8	105482	AK56	1	105489	1	A35	12.24
	1-1/2	AL37		AM 12, 13, 14, 15, 16	110125	1VP34	7/8	105481	AK46	1	101291	1	A33	12.06
				AM 9, 10, 11	106748	1VL40	7/8	18797	AK64	1	105491	1	A37	12.2
	2	AL38		AM 12, 13, 14, 15, 16	106758	1VL44	7/8	105482	AK56	1	105490	1	A36	12.06
				AM 17, 18, 19, 20, 21, 22, 23	106758	1VL44	7/8	105481	AK46	1	105489	1	A35	12.37
				AM 9, 10, 11	106748	1VL40	7/8	18797	AK64	1	105491	1	A37	12.2
	3	AL39		AM 12, 13, 14, 15, 16	106758	1VL44	7/8	105482	AK56	1	105490	1	A36	12.06
				AM 17, 18, 19, 20, 21, 22, 23	106758	1VL44	7/8	105481	AK46	1	105489	1	A35	12.37
AM 13, 14, 15, 16, 17			106748	1VL40	7/8	111609	AK99	1	40570	1	A43	12.14		
350 400	1	AL36	AK5 (208/3); AK6 (230/3); AK7 (460/3); AK8 (575/3)	AM 18, 19, 20, 21, 22	37451	1VM50	7/8	16153	AK104	1	50472	1	A45	12.02
				AM 3, 4, 5, 6	110125	1VP34	7/8	105484	AK71HC	1	50500	1	A41	13.98
	1-1/2	AL37		AM 7, 8, 9, 10, 11	110125	1VP34	7/8	105482	AK56	1	105493	1	A39	14.25
				AM 6, 7, 8, 9	106748	1VL40	7/8	105484	AK71HC	1	101412	1	A42	14.12
	2	AL38		AM 10, 11, 12, 13	106758	1VL44	7/8	18797	AK46	1	101412	1	A42	13.91
				AM 14, 15, 16, 17, 18	106748	1VL40	7/8	105481	AK64	1	16048	1	A38	14.18
				AM 9, 10, 11	106748	1VL40	7/8	18797	AK56	1	50500	1	A41	14.21
	3	AL39		AM 12, 13, 14, 15, 16	106758	1VL44	7/8	105482	AK46	1	16019	1	A40	14.07
				AM 17, 18, 19, 20	106748	1VL40	7/8	105481	AK99	1	16018	1	A38	14.18
AM 9, 10, 11, 12, 13			106758	1VL44	7/8	50520	AK104	1	16131	1	A54	14.22		
AM 14, 15, 16, 17, 18, 19	106758	1VL44	7/8	16153	2AK104	1	65403	2	A48	13.97				

*Distance between blower shaft and motor centerline with belts tensioned properly. **Not for Model 200 or 225. ^ Use a 3/4 "H" blower pulley bushing, P/N 105487; ° Use a 1" blower pulley bushing, P/N 92203; ° Use a 1" Q1 motor pulley bushing, P/N 6605.

Drives - Model Series (H)(C)RGB, (H)(C)RPB, and Blower Cabinet Model RBA (cont'd)

Drive Components for Code 361 - 2 Speed Blower Motors (See drive information, top of page 31.)

Unit Sizes	Motor		Voltage Option	Drive AM Nos.	Code 365 - Motor Pulley			Code 366 - Blower Pulley			Code 367 - Belt		*Shaft Centerline	
	HP	Opt		(See Key, chart on page 31.)	P/N	Mfr #	Bore	P/N	Mfr #	Bore	P/N	Qty		Mfr #
75 100 125	1	AL45	AK1 (115/1); AK2 (208/1); AK3 (230/1); AK5 (208/3); AK6 (230/3); AK7 (460/3)	AM 9, 10, 11, 12, 13, 14, 15	110125	1VP34	7/8	105477	AK46	3/4	105488	1	A34	12.56
				AM 16, 17, 18, 19, 20, 21, 22	106748	1VL40	7/8	105478	AK41	3/4	105488	1	A34	12.5
	1-1/2	AL46		AM 11, 12, 13	106758	1VL44	7/8	19108	AK64	3/4	16018	1	A38	12.4
				AM 14, 15, 16, 17	106748	1VL40	7/8	105479	AK49	3/4	105489	1	A35	12.43
	2	AL47		AM 18, 19, 20, 21, 22	106748	1VL40	7/8	105478	AK41	3/4	105488	1	A34	12.58
				AM 13, 14, 15	111681	1VP50	1-1/8	111682	AK71	3/4	16019	1	A40	12.38
				AM 16, 17, 18, 19, 20	111681	1VP50	1-1/8	111684	AK59	3/4	16018	1	A38	12.36
				AM 21, 22, 23, 24	111681	1VP50	1-1/8	110762	BK57	3/4	110763	1	B38	12.2
				AM 13, 14, 15	111681	1VP50	1-1/8	111682	AK71	3/4	16019	1	A40	12.38
				AM 16, 17, 18, 19, 20	111681	1VP50	1-1/8	111684	AK59	3/4	1018	1	A38	12.36
				AM 21, 22, 23, 24	111681	1VM50	1-1/8	110762	BK57	3/4	110763	1	B38	12.2
				AM 7, 8	110125	1VP34	7/8	18797	AK64	1	16019	1	A40	14.08
150 175 200 225 RBA	1	AL45	AM 9, 10, 11, 12, 13, 14	110125	1VP34	7/8	105481	AK46	1	105490	1	A36	14.06	
			AM 15, 16, 17	106748	1VL40	7/8	105481	AK46	1	16018	1	A38	14.18	
	1-1/2	AL46	AM 9, 10, 11	106758	1VL44	7/8	105484	AK71HC	1	101412	1	A42	13.83	
			AM 12, 13, 14, 15, 16	106758	1VL44	7/8	105482	AK56	1	16019	1	A40	14.07	
	2	AL47	AM 17, 18, 19, 20	106748	1VL40	7/8	105481	AK46	1	16018	1	A38	14.18	
			AM 12, 13, 14, 15, 16	111681	1VP50	1-1/8	105483	AK69	1	50470	1	A43	14.05	
			AM 17, 18, 19, 20	111681	1VP50	1-1/8	105482	AK56	1	50500	1	A41	14.11	
			AM 21, 22, 23, 24	111681	1VP50	1-1/8	111689	AK49	1	16019	1	A40	14.16	
			AM 13, 14, 15, 16	111681	1VP50	1-1/8	105483	AK69	1	50470	1	A43	14.05	
			AM 17, 18, 19, 20	111681	1VP50	1-1/8	105482	AK56	1	50500	1	A41	14.11	
			AM 21, 22, 23, 24	111681	1VP50	1-1/8	111689	AK49	1	16019	1	A40	14.16	
			AM 3, 4, 5, 6	110125	1VP34	7/8	105482	AK56	1	105489	1	A35	12.24	
250 300	1	AL45	AM 12, 13, 14, 15, 16	110125	1VP34	7/8	105481	AK46	1	101291	1	A33	12.06	
			AM 9, 10, 11	106748	1VL40	7/8	18797	AK64	1	105491	1	A37	12.2	
	1-1/2	AL46	AM 12, 13, 14, 15, 16	106758	1VL44	7/8	105482	AK56	1	105490	1	A36	12.06	
			AM 17, 18, 19, 20, 21, 22, 23	106758	1VL44	7/8	105481	AK46	1	105489	1	A35	12.37	
	2	AL47	AM 12, 13, 14, 15, 16	111681	1VP50	1-1/8	105483	AK69	1	105493	1	A39	12.04	
			AM 17, 18, 19, 20	111681	1VP50	1-1/8	115716	AK59	1	105491	1	A37	11.86	
			AM 21, 22, 23, 24	111681	1VP50	1-1/8	111689	AK49	1	105490	1	A36	12.16	
			AM 13, 14, 15, 16	111681	1VP50	1-1/8	105483	AK69	1	105493	1	A39	12.04	
			AM 17, 18, 19, 20	111681	1VP50	1-1/8	115716	AK59	1	105491	1	A45	11.86	
			AM 21, 22, 23, 24	111681	1VP50	1-1/8	111689	AK49	1	105490	1	A36	12.16	
			AM 3, 4, 5, 6	110125	1VP34	7/8	105484	AK71HC	1	50500	1	A41	13.98	
			AM 7, 8, 9, 10, 11	110125	1VP34	7/8	105482	AK56	1	105493	1	A39	14.25	
350 400	1	AL45	AM 6, 7, 8, 9	106748	1VL40	7/8	105484	AK71HC	1	101412	1	A42	14.12	
			AM 10, 11, 12, 13	106758	1VL44	7/8	18797	AK64	1	16019	1	A40	13.91	
	1-1/2	AL46	AM 14, 15, 16, 17, 18	106748	1VL40	7/8	105481	AK46	1	16018	1	A38	14.18	
			AM 12, 13, 14, 15, 16	111681	1VP50	1-1/8	105483	AK69	1	50470	1	A43	14.05	
	2	AL47	AM 17, 18, 19, 20	111681	1VP50	1-1/8	105482	AK56	1	50500	1	A41	14.11	
			AM 21, 22, 23, 24	111681	1VP50	1-1/8	111689	AK49	1	16019	1	A40	14.16	
			AM 12, 13, 14, 15, 16	111681	1VP50	1-1/8	105483	AK69	1	50470	1	A43	14.05	
			AM 17, 18, 19, 20	111681	1VP50	1-1/8	105482	AK56	1	50500	1	A41	14.11	
			AM 21, 22, 23, 24	111681	1VP50	1-1/8	111689	AK49	1	16019	1	A40	14.16	
			AM 12, 13, 14, 15, 16, 17	6599	2VP42	7/8	7955	2AK104	1	65403	2	A48	14.11	
			AM 18, 19, 20, 21, 22	8973	2VP50	7/8	7955	2AK104	1	50472	2	A49	14.06	

*Distance between blower shaft and motor centerline with belts tensioned properly. **Not for Model 200 or 225. †Use a 1" blower pulley bushing, P/N 92203.

Drives - Model Series RGLB, RPBL, PGBL and Blower Cabinet RBL

Drive Components for Code 360 - Blower Motors (See drive information, top of page 31.)

Unit Sizes	Motor		Voltage Option	Drive AM Nos.	Code 365 - Motor Pulley			Code 366 - Blower Pulley			Code 367 - Belt		*Shaft Centerline	
	HP	Opt		(See Key, chart on page 31.)	P/N	Mfr #	Bore	P/N	Mfr #	Bore	P/N	Qty		Mfr #
All "BL" Units	1	AL6	AK1 (115/1); AK2 (208/1); AK3 (230/1); AK5 (208/3); AK6 (230/3); AK7 (460/3); AK8 (575/3)	AM 2, 3, 4	13580	1VL34	5/8	111862	AK84	1-3/16	16134	1	A57	20.94
				AM 5, 6, 7	13580	1VL34	5/8	105484	AK71HA	1-3/16	16134	1	A57	21.03
	1-1/2	AL7		AM 3, 4, 5, 6, 7	13580	1VL34	5/8	105484	AK71HA	1-3/16	16134	1	A57	21.03
				AM 8, 9, 10, 11	105476	1VL44	5/8	106256	AK74	1-3/16	16134	1	A57	21.11
	2	AL8		AM 3, 4, 5, 6, 7	110125	1VP34	7/8	105484	AK71HA	1-3/16	16132	1	A55	20.03
				AM 8, 9, 10, 11	106758	1VL44	7/8	105484	AK71HA	1-3/16	16133	1	A56	20.85
	3	AL9		AM 12, 13, 14, 15, 16	106758	1VL44	7/8	110807	AK56HA	1-3/16	16131	1	A54	21.07
				AM 7, 8, 9	37451	1VM50	7/8	16160	AK184	1-3/16	92264	1	A78	20.95
				AM 10, 11, 12, 13	106758	1VL44	7/8	16158	AK134	1-3/16	16558	1	A69	20.96
				AM 14, 15, 16, 17, 18	37451	1VM50	7/8	16156	AK124	1-3/16	111870	1	A66	20.92
				AM 8, 9, 10, 11	6599	2VP42	7/8	16161	2AK134	1-3/16	92408	1	A68	21.08
				AM 12, 13, 14, 15	87500	2VP36	7/8	16003	2BK100	1-3/16	88560	1	A61	21.01
AM 16, 17, 18, 19, 20			6599	2VP42	7/8	16003	2BK100	1-3/16	16137	1	A62	21.08		
AM 10, 11			16150	2VP62	1-3/8	16168	2BK110	1-3/16	92414	1	B64	20.47		
5	AL10	AM 12, 13	16150	2VP62	1-3/8	16003	2BK100	1-3/16	7950	1	B62	20.31		
		AM 14, 15, 16	16150	2VP62	1-3/8	91633	2TB86 B	1-3/16	92280	1	BX59	20.47		
		AM 17, 18, 19, 20	110771	2VP65	1-3/8	89648	2BK80HA	1-3/16	92280	1	BX59	20.37		
		AM 10, 11	16150	2VP62	1-3/8	16168	2BK110	1-3/16	92414	1	B64	20.47		
		AM 12, 13	16150	2VP62	1-3/8	16003	2BK100	1-3/16	7950	1	B62	20.31		
		AM 14, 15, 16	16150	2VP62	1-3/8	91633	2TB86 B	1-3/16	92280	1	BX59	20.47		
		AM 17, 18, 19, 20	110771	2VP65	1-3/8	89648	2BK80HA	1-3/16	92280	1	BX59	20.37		

Unit Sizes	Motor		Voltage Option	Drive AM Nos.			Code 365 - Motor Pulley			Code 366 - Blower Pulley			Code 367 - Belt			*Shaft Centerline	
	HP	Opt		(See Key, chart on page 31)			P/N	Mfr #	Bore	P/N	Mfr #	Bore	P/N	Qty	Mfr #		
All "BL" Units (cont')	**15	AL15	AK5 (208/3); AK6 (230/3); AK7 (460/3); AK8 (575/3)	**AM 15, 16, 17, 18, 19, 20			89644	3MVPP40-B54	1-5/8	106258	3TB66H ^a	1-7/16	92224	3	B56	20.47	
				**AM 21, 22, 23, 24			89644	3MVPP40-B54	1-5/8	106262	3BK65H ^c	1-7/16	92224	3	B56	20.53	
	**20	AL16		**AM 17, 18, 19, 20, 21, 22, 23, 24			89644	3MVPP40-B54	1-5/8	106262	3BK65H ^c	1-7/16	92239	3	BX54	20.11	
				***AM 15, 16, 17			148593 ^f	2MVP70B84P	1-5/8"	113811	2BK120H ^p	1-7/16	80841	2	BX67	20.47	
	***15	AL15		***AM 18, 19, 20, 21			148594 ^f	2MVP80B94Q	1-5/8"	114045	2B5V110 ^p	1-7/16	148605	2	BX69	20.53	
				***AM 22, 23, 24			148593 ^f	2MVP70B84P	1-5/8"	148597	2B5V90 ^p	1-7/16	114258	2	BX64	20.11	
	***20	AL16		***AM17			148593 ^f	2MVP70B84P	1-5/8"	113811	2BK120H ^p	1-7/16	80841	2	BX67	20.47	
				***AM 18, 19, 20, 21			148594 ^f	2MVP80B94Q	1-5/8"	114045	2B5V110 ^p	1-7/16	148605	2	BX69	20.53	
				***AM 22, 23, 24			148593 ^f	2MVP70B84P	1-5/8"	148597	2B5V90 ^p	1-7/16	114258	2	BX64	20.11	

*Distance between blower shaft and motor centerline with belts tensioned properly. ** Three-Groove Drives ***Two-Groove Drives
^a Use 1-3/16 "H" Blower Pulley Bushing, P/N 106260 ^b Use 1-7/16 "B" Blower Pulley Bushing, P/N 114033 ^c Use 1-7/16 "P1" Blower Pulley Bushing, P/N 106261
^d Use 1-3/16 "Q1" Blower Pulley Bushing, P/N 39460 ^e Use 1-5/8 "P2" Motor Pulley Bushing, P/N 148595
^f Use 1-7/16 "H" Blower Pulley Bushing, P/N 89659 ^g Use 1-5/8 "Q2" Motor Pulley Bushing, P/N 148596

Drive Components for Code 360 - Blower Motors (See drive information, top of page 31.)

Unit Sizes	Motor		Voltage Option	Drive AM Nos.			Code 365 - Motor Pulley			Code 366 - Blower Pulley			Code 367 - Belt			*Shaft Centerline
	HP	Opt		(See Key, chart on page 31)			P/N	Mfr #	Bore	P/N	Mfr #	Bore	P/N	Qty	Mfr #	
All "BL" Units	1	AL23	AK1 (115/1); AK2 (208/1); AK3 (230/1); AK5 (208/3); AK6 (230/3); AK7 (460/3); AK8 (575/3)	AM 2, 3, 4			13580	1VL34	5/8	111862	AK84	1-3/16	16134	1	A57	20.94
				AM 5, 6, 7			13580	1VL34	5/8	105484	AK71H ^c	1-3/16	16134	1	A57	21.03
	1-1/2	AL24		AM 3, 4, 5, 6, 7			13580	1VL34	5/8	105484	AK71H ^c	1-3/16	16134	1	A57	21.03
				AM 8, 9, 10, 11			105476	1VL44	5/8	106256	AK74	1-3/16	16134	1	A57	21.11
	2	AL25		AM 3, 4, 5, 6, 7			110125	1VP34	7/8	105484	AK71H ^c	1-3/16	16134	1	A57	21.03
				AM 8, 9, 10, 11			106758	1VL44	7/8	106256	AK74	1-3/16	16134	1	A57	21.11
	3	AL26		AM 3, 4, 5, 6, 7			110125	1VP34	7/8	105484	AK71H ^c	1-3/16	16132	1	A55	20.03
				AM 8, 9, 10, 11			106758	1VL44	7/8	105484	AK71H ^c	1-3/16	16133	1	A56	20.85
	5	AL27		AM 12, 13, 14, 15, 16			106758	1VL44	7/8	110807	AK56H ^c	1-3/16	16131	1	A54	21.07
				AM 7, 8, 9			37451	1VM50	7/8	16160	AK184	1-3/16	92264	1	A78	20.95
	7-1/2	AL32		AM 10, 11, 12, 13			106758	1VL44	7/8	16158	AK134	1-3/16	16558	1	A69	20.96
				AM 14, 15, 16, 17, 18			37451	1VM50	7/8	16156	AK124	1-3/16	111870	1	A66	20.92
	10	AL33		AM 7, 8, 9			37451	1VM50	7/8	16160	AK184	1-3/16	92264	1	A78	20.95
				AM 10, 11, 12, 13			106758	1VL44	7/8	16158	AK134	1-3/16	16558	1	A69	20.96
	10	AL35		AM 14, 15, 16, 17, 18			37451	1VM50	7/8	16156	AK124	1-3/16	111870	1	A66	20.92
				AM 8, 9, 10, 11			7963	2VP42	1-1/8	16161	2AK134	1-3/16	16139	1	A67	21.08
	10	AL33		AM 12, 13, 14, 15			105581	2VP50	1-1/8	16161	2AK134	1-3/16	92408	1	A68	21.01
				AM 16, 17, 18, 19, 20			7963	2VP42	1-1/8	16003	2BK100	1-3/16	50477	1	A60	21.08
	10	AL33		AM 10, 11			16150	2VP62	1-3/8	16138	2BK110	1-3/16	92414	1	B64	20.47
				AM 12, 13			16150	2VP62	1-3/8	16003	2BK100	1-3/16	7950	1	B62	20.31
	10	AL33		AM 14, 15, 16			16150	2VP62	1-3/8	91633	2TB86 ^a	1-3/16	92280	1	BX59	20.47
				AM 17, 18, 19, 20			110771	2VP65	1-3/8	89648	2BK80H ^c	1-3-16	92280	1	BX59	20.37
	10	AL33		AM 10, 11			16150	2VP62	1-3/8	16168	2BK110	1-3/16	92414	1	B64	20.47
				AM 12, 13			16150	2VP62	1-3/8	16003	2BK100	1-3/16	7950	1	B62	20.31
	10	AL33		AM 14, 15, 16			16150	2VP62	1-3/8	91633	2TB86 ^a	1-3/16	92280	1	BX59	20.47
				AM 17, 18, 19, 20			110771	2VP65	1-3/8	89648	2BK80H ^c	1-3/16	92280	1	BX59	20.37
	**15 & 20	AL34		**AM 15, 16, 17			148593	2MVP70B84P ^e	1-5/8	113811	2BK120H ^p	1-7/16	80841	3	BX67	20.47
				**AM 18, 19, 20, 21			148594	2MVP80B94Q ^f	1-5/8	114045	2B5V110 ^p	1-7/16	148605	3	BX69	20.53
	**15 & 20	AL35		**AM 22, 23, 24			148593	2MVP70B84P ^e	1-5/8	148597	2B5V90 ^p	1-7/16	114258	3	BX64	20.11
				***AM 15, 16, 17			148593 ^f	2MVP70B84P	1-5/8	113811	2BK120H ^p	1-7/16	80841	2	BX67	20.47
	***15	AL34		***AM 18, 19, 20, 21			148594 ^f	2MVP80B94Q	1-5/8	114045	2B5V110 ^p	1-7/16	148605	2	BX69	20.53
				***AM 22, 23, 24			148593 ^f	2MVP70B84P	1-5/8	148597	2B5V90 ^p	1-7/16	114258	2	BX64	20.11
	***15	AL34		***AM17			148593 ^f	2MVP70B84P	1-5/8	113811	2BK120H ^p	1-7/16	80841	2	BX67	20.47
				***AM 18, 19, 20, 21			148594 ^f	2MVP80B94Q	1-5/8	114045	2B5V110 ^p	1-7/16	148605	2	BX69	20.53
	***20	AL35		***AM 22, 23, 24			148593 ^f	2MVP70B84P	1-5/8	148597	2B5V90 ^p	1-7/16	114258	2	BX64	20.11

*Distance between blower shaft and motor centerline with belts tensioned properly. ** Three-Groove Drives ***Two-Groove Drives
^a Use 1-3/16 "H" Blower Pulley Bushing, P/N 106260 ^b Use 1-7/16 "B" Blower Pulley Bushing, P/N 114033
^c Use 1-3/16 "Q1" Blower Pulley Bushing, P/N 39460 ^d Use 1-5/8 "P2" Motor Pulley Bushing, P/N 148595
^e Use 1-7/16 "H" Blower Pulley Bushing, P/N 89659 ^f Use 1-5/8 "Q2" Motor Pulley Bushing, P/N 148596

Drive Components for Code 360 Blower Motors (Premium Efficiency) (See drive information, top of page 31.)

Unit Sizes	Motor		Voltage Option	Drive AM Nos.			Code 365 - Motor Pulley			Code 366 - Blower Pulley			Code 367 - Belt			*Shaft Centerline
	HP	Opt		(See Key, chart on page 31.)			P/N	Mfr #	Bore	P/N	Mfr #	Bore	P/N	Qty	Mfr #	
All "BL" Units	1	AL36	AK5 (208/3); AK6 (230/3); AK7 (460/3); AK8 (575/3)	AM 2, 3, 4			110125	1VP34	7/8	111862	AK84	1-3/16	16134	1	A57	20.94
				AM 5, 6, 7			110125	1VP34	7/8	105484	AK71H ^a	1-3/16	16132	1	A55	21.03
	1-1/2	AL37		AM 3, 4, 5, 6, 7			110125	1VP34	7/8	105484	AK71H ^a	1-3/16	16132	1	A55	21.03
				AM 8, 9, 10, 11			106758	1VL44	7/8	106256	AK74	1-3/16	16134	1	A57	21.11
	2	AL38		AM 3, 4, 5, 6, 7			110125	1VP34	7/8	105484	AK71H ^a	1-3/16	16132	1	A55	20.03
				AM 8, 9, 10, 11			106758	1VL44	7/8	105484	AK71H ^a	1-3/16	16133	1	A56	20.85
	3	AL39		AM 12, 13, 14, 15, 16			106758	1VL44	7/8	110807	AK56H ^a	1-3/16	16131	1	A54	21.07
				AM 7, 8, 9			37451	1VM50	7/8	16160	AK184	1-3/16	92264	1	A78	20.95
	5	AL40		AM 10, 11, 12, 13			106758	1VL44	7/8	16158	AK134	1-3/16	16558	1	A69	20.96
				AM 14, 15, 16, 17, 18			37451	1VM50	7/8	16156	AK124	1-3/16	111870	1	A66	20.92
	7-1/2	AL41		AM 8, 9, 10, 11			7963	2VP42	1-1/8	16161	2AK134	1-3/16	16139	1	A67	21.08
				AM 12, 13, 14, 15			105581	2VP50	1-1/8	16161	2AK34	1-3/16	92408	1	A68	21.01
	10	AL42		AM 16, 17, 18, 19, 20			7963	2VP42	1-1/8	16003	2BK100	1-3/16	50477	1	A60	21.08
				AM 10, 11			16150	2VP62	1-3/8	16168	2BK110	1-3/16	92414	1	B64	20.47
	10	AL42		AM 12, 13			16150	2VP62	1-3/8	16003	2BK100	1-3/16	7950	1	B62	20.31
				AM 14, 15, 16			16150	2VP62	1-3/8	91633	2TB86 ^a	1-3/16	92280	1	BX59	20.47
	10	AL42		AM 17, 18, 19, 20			110771	2VP65	1-3/8	89648	2BK80H ^a	1-3/16	92280	1	BX59	20.37
				AM 10, 11			16150	2VP62	1-3/8	16168	2BK110	1-3/16	92414	1	B64	20.47
	10	AL42		AM 12, 13			16150	2VP62	1-3/8	16003	2BK100	1-3/16	7950	1	B62	20.31
				AM 14, 15, 16			16150	2VP62	1-3/8	91633	2TB86 ^a	1-3/16	92280	1	BX59	20.47
	10	AL42		AM 17, 18, 19, 20			110771	2VP65	1-3/8	89648	2BK80H ^a	1-3/16	92280	1	BX59	20.37

(continued)

Drive Components for Code 360 Blower Motors (Premium Efficiency) (cont'd)

Unit Sizes	Motor		Voltage Option	Drive AM Nos.			Code 365 - Motor Pulley			Code 366 - Blower Pulley			Code 367 - Belt		*Shaft
	HP	Opt		(See Key, chart on page 31.)	P/N	Mfr #	Bore	P/N	Mfr #	Bore	P/N	Qty	Mfr #	Centerline	
All "BL" Units cont'	**15 & 20	AL43	AK5 (208/3); AK6 (230/3); AK7 (460/3); AK8 (575/3)	**AM 15, 16, 17	148593	2MVP70B84P ^D	1-5/8	113811	2BK120H ^F	1-7/16	80841	3	BX67	20.47	
		AL44		**AM 18, 19, 20, 21	148594	2MVP80B94Q ^E	1-5/8	114045	2B5V110 ^F	1-7/16	148605	3	BX69	20.53	
	***15	AL43		**AM 22, 23, 24	148593	2MVP70B84P ^D	1-5/8	113811	2BK120H ^F	1-7/16	80841	2	BX67	20.11	
		AL44		***AM 15, 16, 17	148593	2MVP70B84P ^D	1-5/8	113811	2BK120H ^F	1-7/16	80841	2	BX67	20.11	
	***20	AL43		***AM 18, 19, 20, 21	148594	2MVP80B94Q ^E	1-5/8	114045	2B5V110 ^F	1-7/16	148605	2	BX69	20.11	
		AL44		***AM 22, 23, 24	148593	2MVP70B84P ^D	1-5/8	113811	2BK120H ^F	1-7/16	114258	2	BX64	20.11	
					***AM17	148593	2MVP70B84P ^D	1-5/8	113811	2BK120H ^F	1-7/16	80841	2	BX67	20.11
					***AM 18, 19, 20, 21	148594	2MVP80B94Q ^E	1-5/8	114045	2B5V110 ^F	1-7/16	148605	2	BX69	20.11
					***AM 22, 23, 24	148593	2MVP70B84P ^D	1-5/8	113811	2B5V90 ^F	1-7/16	114258	2	BX64	20.11

*Distance between blower shaft and motor centerline with belts tensioned properly. ** Three-Groove Drives ***Two-Groove Drives
^A Use 1-3/16 "H" Blower Pulley Bushing, P/N 106260 ^C Use 1-7/16 "H" Blower Pulley Bushing, P/N 89659 ^E Use 1-5/8 "P2" Motor Pulley Bushing, P/N 148595
^B Use 1-3/16 "Q1" Blower Pulley Bushing, P/N 39460 ^D Use 1-7/16 "B" Blower Pulley Bushing, P/N 114033 ^F Use 1-5/8 "Q2" Motor Pulley Bushing, P/N 148596

Drive Components for Code 361 - 2 Speed Motors (See drive information, top of page 31.)

Unit Sizes	Motor		Voltage Option	Drive AM Nos.			Code 365 - Motor Pulley			Code 366 - Blower Pulley			Code 367 - Belt		*Shaft
	HP	Opt		(See Key, chart on page 31.)	P/N	Mfr #	Bore	P/N	Mfr #	Bore	P/N	Qty	Mfr #	Centerline	
All "BL" Units	1	AL45	AK5 (208/3); AK6 (230/3); AK7 (460/3)	AM 2, 3, 4	110125	1VP34	7/8	111862	AK84	1-3/16	16134	1	A57	20.94	
				AM 5, 6, 7	110125	1VP34	7/8	105484	AK71H ^A	1-3/16	16132	1	A55	21.03	
	1-1/2	AL46		AM 3, 4, 5, 6, 7	110125	1VP34	7/8	105484	AK71H ^A	1-3/16	16132	1	A55	21.03	
				AM 8, 9, 10, 11	106758	1VL44	7/8	106256	AK74	1-3/16	16134	1	A57	21.11	
	2	AL47		AM 4, 5	111681	1VP50	1-1/8	16156	AK124	1-3/16	111870	1	A66	20.92	
				AM 6, 7, 8, 9	110151	1VP44	1-1/8	111862	AK84	1-3/16	92402	1	A59	21.28	
				AM 10, 11, 12, 13	110151	1VP44	1-1/8	112026	BK85H ^A	1-3/16	92225	1	B57	21.22	
				AM 14, 15, 16, 17, 18, 19	110151	1VP44	1-1/8	112035	BK60	1-3/16	92239	1	BX54	20.93	
	3	AL48		AM 4, 5	111681	1VP50	1-1/8	16156	AK124	1-3/16	111870	1	A66	20.92	
				AM 6, 7, 8, 9	110151	1VP44	1-1/8	111862	AK84	1-3/16	92402	1	A59	21.28	
				AM 10, 11, 12, 13	110151	1VP44	1-1/8	112026	BK75H ^A	1-3/16	92225	1	B57	21.22	
	5	AL49		AM 14, 15, 16, 17, 18, 19	110151	1VP44	1-1/8	112035	BK60	1-3/16	92239	1	BX54	20.93	
				AM 8, 9, 10, 11	106257	2VP60	1-3/8	16168	2BK110	1-3/16	6010	1	B65	21.28	
				AM 12, 13, 14, 15	106257	2VP60	1-3/8	16167	2BK90	1-3/16	92289	1	BX61	20.93	
	7-1/2	AL50		AM 16, 17, 18, 19, 20	106257	2VP60	1-3/8	92419	2TB70 ^B	1-3/16	16143	1	B59	21.07	
				AM 10, 11	16150	2VP62	1-3/8	16168	2BK110	1-3/16	92414	1	B64	20.47	
				AM 12, 13	16150	2VP62	1-3/8	16003	2BK100	1-3/16	7950	1	B62	20.31	
				AM 14, 15, 16	16150	2VP62	1-3/8	91633	2TB86 ^B	1-3/16	92280	1	BX59	20.47	
				AM 17, 18, 19, 20	110771	2VP65	1-3/8	89648	2BK80H ^A	1-3/16	92280	1	BX59	20.37	
				AM 13, 14, 15, 16	91615	2MPV40-B54	1-5/8	89648	2BK80H ^A	1-3/16	92226	1	B58	20.47	
10	AL51	AM 17, 18, 19, 20, 21, 22	91615	2MPV40-B54	1-5/8	110810	2BK70H ^A	1-3/16	92225	1	B57	20.37			

*Distance between blower shaft and motor centerline with belts tensioned properly. ** Three-Groove Drives ***Two-Groove Drives
^A Use 1-3/16 "H" Blower Pulley Bushing, P/N 106260 ^B Use 1-3/16 "Q1" Blower Pulley Bushing, P/N 39460

Drive Table for Model RBHA Blower Cabinet (See drive information, top of page 31.)

Motor HP	Opt	Voltage Option	Drive AM Nos.			Code 365 - Motor Pulley			Code 366 - Blower Pulley			Code 367 - Belt		*Shaft
			(See Key, chart on page 31.)	P/N	Mfr #	Bore	P/N	Mfr #	Bore	P/N	Qty	Mfr #	Centerline	
1/4	AL2	AK1 (115/1); AK2 (208/1); AK3 (230/1); AK5 (208/3); AK6 (230/3); AK7 (460/3); AK8 (575/3)	AM 1, 2	4074	1VL34	1/2	111609	AK99	1	88560	1	A61	21.16	
			AM 3, 4	4074	1VL34	1/2	19111	AK84	1	50476	1	A58	20.94	
1/3	AL3		AM 1, 2	4074	1VP34	1/2	111609	AK99	1	88560	1	A61	21.16	
			AM 3, 4	4074	1VP34	1/2	19111	AK84	1	50476	1	A58	20.94	
1/2	AL4		AM 5, 6, 7	4074	1VP34	1/2	18797	AK64	1	16132	1	A55	21.11	
			AM 1, 2	13580	1VL34	5/8	111609	AK99	1	16137	1	A62	21.66	
			AM 3, 4, 5	105476	1VL44	5/8	16153	AK104	1	80836	1	A64	21.59	
			AM 6, 7, 8	13580	1VL34	5/8	18797	AK64	1	16133	1	A56	21.61	
			AM 9, 10, 11	13013	1VM50	5/8	19111	AK84	1	88560	1	A61	21.34	
			AM 3, 4, 5	105476	1VL44	5/8	16153	AK104	1	80836	1	A64	21.59	
3/4	AL5		AM 6, 7, 8	13580	1VL34	5/8	18797	AK64	1	16133	1	A56	21.61	
			AM 9, 10, 11	13013	1VM50	5/8	19111	AK84	1	88560	1	A61	21.34	
		AM 12, 13, 14, 15, 16, 17, 18	7962	1VL40	5/8	111689	AK49	1	16131	1	A54	21.44		
1	AL6	AM 5, 6, 7	13013	1VM50	5/8	16153	AK104	1	111870	1	A66	22.16		
		AM 8, 9, 10, 11	13013	1VM50	5/8	19111	AK84	1	88560	1	A61	21.34		
		AM 12, 13, 14, 15, 16, 17, 18	7962	1VL40	5/8	111689	AK49	1	16131	1	A54	21.44		
1-1/2	AL7	AM 5, 6, 7	13013	1VM50	5/8	16153	AK104	1	111870	1	A66	22.16		
		AM 8, 9, 10, 11	13013	1VM50	5/8	19111	AK84	1	88560	1	A61	21.34		
		AM 12, 13, 14, 15, 16, 17, 18	7962	1VL40	5/8	111689	AK49	1	16131	1	A54	21.44		
		AM 19, 20, 21, 22, 23	105476	1VL44	5/8	105481	AK46	1	16131	1	A54	21.37		
2	AL8	AM 8, 9, 10, 11	13013	1VM50	5/8	19111	AK84	1	88560	1	A61	21.34		
		AM 12, 13, 14, 15, 16, 17, 18	7962	1VL40	5/8	111689	AK49	1	16131	1	A54	21.44		
		AM 19, 20, 21, 22, 23	105476	1VL44	5/8	105481	AK46	1	16131	1	A54	21.37		
		AM 8, 9, 10, 11		7/8	19111	AK84	1	88560	1	A61	21.34			
3	AL9	AM 12, 13, 14, 15, 16, 17, 18	106758	1VL44	7/8	111689	AK49	1	16131	1	A54	21.44		
		AM 19, 20, 21, 22, 23	106758	1VL44	7/8	105481	AK46	1	16131	1	A54	21.37		
		AM 11, 12, 13, 14, 15	106758	1VL44	7/8	101414	BK130	1	16145	1	B58	21.54		
		AM 16, 17, 18, 19	106748	1VL40	7/8	19111	AK84	1	50477	1	A60	21.57		
5	AL10	AM 20, 21, 22, 23	37451	1VM50	7/8	16153	AK104	1	111870	1	A66	22.17		
		AM 11, 12, 13, 14, 15	106758	1VL44	7/8	101414	BK130	1	16145	1	B58	21.54		
		AM 16, 17, 18, 19	106748	1VL40	7/8	19111	AK84	1	50477	1	A60	21.57		
5	AL10	AM 20, 21, 22, 23	37451	1VM50	7/8	16153	AK104	1	111870	1	A66	22.17		
		AM 13, 14, 15, 16, 17	87500	2VP36	7/8	89649	2BK100H ^A	1	92411	1	BX62	21.54		
			AM 18, 19, 20, 21, 22, 23, 24	6599	2VP42	7/8	87504	2AK84	1	50477	1	A60	21.43	

* Distance between blower shaft and motor centerline with belts tensioned properly.
^A Use 1" x H Blower Pulley Bushing, P/N 92203

Replacement Filters - Model Series RGB and RPB and Blower Cabinet Model RBA

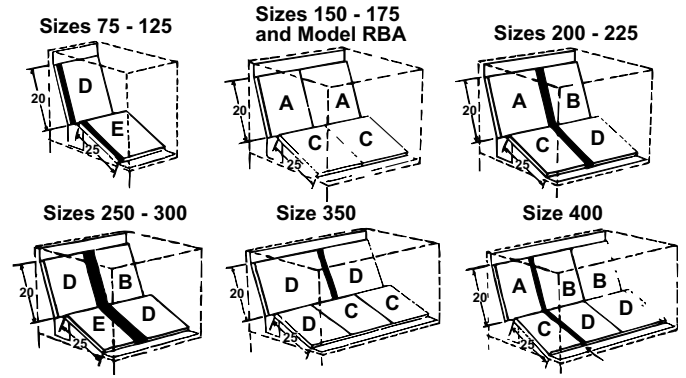
Filter Arrangements

APPLICATION NOTES:

Do not use flat disposable filters on Models 75-125 with over 2999 CFM; on Models 150-175 with over 4499 CFM, or Models 200-225 with over 4999 CFM; on Models 250-300 with over 5499 CFM; on Model 350 with over 6499 CFM; or on Model 400 with over 7399 CFM.

Do not use pleated filters on Models 75-125 with over 3999 CFM.

Type of Filter		Average Efficiency	Average Arrestance
Disposable	1"	Less than 20%	75%
	2"	Less than 20%	80%
Permanent	1"	Less than 20%	53% to 60%
	2"	Less than 20%	64% to 67%
Pleated Disposable	1"	30% to 35%	90% to 93%
	2"	30% to 35%	90% to 93%



Filter Code	Filter Size	Disposable	Permanent	Pleated	Unit Size and Quantity of Filters Required					
		2" (If replacing 1" filters, see NOTE right.)			75/100/125	150/175/RBA	200/225	250/300	350	400
A	16 x 20	104097	101620	104110	--	2	1	--	--	1
B	20 x 20	104098	101621	104111	--	--	1	1	--	2
C	16 x 25	104099	101622	104112	--	2	1	--	2	1
D	20 x 25	104100	101623	104113	1	--	1	2	3	2
E	25 x 25	119776	119780	119778	1	--	--	1	--	--
Blockoff Plates ("black" in the illustrations below)										
Horizontal		104095			1	--	1	4	--	1
Vertical		104091			1	--	1	1	1	1

NOTE: If replacing 1" filters, replace with locally supplied filters in the size and type listed. Quantities listed by size and arrangements illustrated above apply to both 1" and 2" filters. Blockoff plates for 1" filters are not available; reuse original blockoff plates.

Replacement Filters/Blockoff Plates - Model Series RGBL/RPBL/PGBL & Blower Cabinet Model RBL

The filter information below and on the top of page 38 applies to Model Series RPBL, RGBL, PGBL and RBL manufactured beginning 9/91; filter information on the bottom of page 38 applies to units manufactured prior to 9/91.)

Filter Type and Application (If replacing 1" filters; see NOTE below.)	Qty	Size	2" Filter	Qty	Size	2" Filter	Qty	Size	2" Filter
	RGBL, RPBL, and PGBL 400, 800, 1200			RGBL and RPBL 500, 600			RGBL and RPBL 700, 1050		
2" Disposable	2	16 x 16	104101	1	16 x 25	104099	2	16 x 25	104099
	1	16 x 25	104099	1	16 x 20	104097	4	12 x 30	114323
	4	12 x 25	114318	4	12 x 20	114317	4	12 x 20	114317
	4	12 x 30	114323	4	12 x 25	114318			
2" Permanent	2	16 x 16	104103	1	16 x 20	101620	2	16 x 25	101622
	8	12 x 16	114325	4	12 x 20	114321	8	12 x 26	114322
	1	16 x 25	101622	1	16 x 25	101622			
	4	12 x 26	114322	4	12 x 26	114322			
2" Pleated	2	16 x 16	104109	1	16 x 20	104110	2	16 x 25	104112
	4	12 x 25	114320	1	16 x 25	104112	4	12 x 32	104324
	1	16 x 25	104112	4	12 x 20	114319	4	12 x 20	114319
	4	12 x 32	114324	4	12 x 25	114320			
For Model RPDBL									
RPDBL 800, 1600									
2" Disposable	4	16 x 16	104101	2	16 x 25	104099	4	16 x 25	104099
	2	16 x 25	104099	2	16 x 20	104097	8	12 x 30	114323
	8	12 x 25	114318	8	12 x 20	114317	8	12 x 20	114317
	8	12 x 30	114323	8	12 x 25	114318			
2" Permanent	4	16 x 16	104103	2	16 x 20	101620	4	16 x 25	101622
	16	12 x 16	114325	8	12 x 20	114321	16	12 x 26	114322
	2	16 x 25	101622	2	16 x 25	101622			
	8	12 x 26	114322	8	12 x 26	114322			
2" Pleated	2	16 x 16	104109	2	16 x 20	104110	4	16 x 25	104112
	8	12 x 25	114320	2	16 x 25	104112	8	12 x 32	104324
	2	16 x 25	104112	8	12 x 20	114319	8	12 x 20	114319
	8	12 x 32	114324	8	12 x 25	114320			

NOTE: If replacing 1" filters, replace with locally supplied filters in the size and type listed. Quantities listed by size and arrangements illustrated on top of page 38 apply to both 1" and 2" filters.

Replacement Filters/Blockoff Plates - currently manufactured "BL" Cabinets

Filter Arrangements for 1" or 2" Disposable Filters (Options AW2 and AW7)

A	16 x 16
B	16 x 25
C	12 x 25
D	12 x 30

Blockoff Plates:
(1) P/N 106334;
(4) P/N 114337

A	16 x 16
B	16 x 25
C	12 x 20
D	12 x 25

Blockoff Plates:
(1) P/N 106332;
(4) P/N 114336

A	16 x 25
B	12 x 20
C	12 x 30

Blockoff Plates:
(1) P/N 106332;
(4) P/N 114336

Filter Arrangements for 1" or 2" Disposable Pleated Filters (Options AW10 and AW11)

A	16 x 16
B	16 x 25
C	12 x 25
D	12 x 32

Blockoff Plates:
(1) P/N 106334;
(4) P/N 114335

A	16 x 20
B	16 x 25
C	12 x 20
D	12 x 25

Blockoff Plates:
(1) P/N 106332;
(4) P/N 114337

A	16 x 25
B	12 x 20
C	12 x 32

Blockoff Plate:
(1) P/N 106333

Filter Arrangements for 1" or 2" Permanent Filters (Options AW8 and AW9)

A	16 x 16
B	16 x 25
C	12 x 16
D	12 x 26

Blockoff Plate:
(1) P/N 106334

A	16 x 20
B	16 x 25
C	12 x 20
D	12 x 26

Blockoff Plate:
(1) P/N 106334

A	16 x 25
B	12 x 26

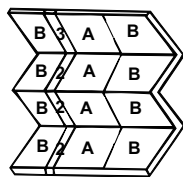
Blockoff Plate:
(1) P/N 106332

Replacement Filters/Blockoff Plates for Model Series RGLB/RPBL and Blower Cabinet Model RBL manufactured prior to 9/91

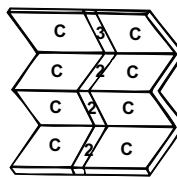
Filter Code	Filter Size	* 2" Unit Size and Quantity of Filters Required				Blockoff Plates					
		* 2" Disposable AW7	* 2" Permanent AW9	* 2" Pleated AW11	500	600	700/1050	400/800/1200	Code	P/N	"X"
A	16 x 16	104101	104103	104109	--	--	--	4	1	106332	1-1/2" (38mm)
B	16 x 20	104097	101620	104110	4	4	--	8	2	106333	2" (51mm)
C	16 x 25	104099	101622	104112	4	4	8	--	3	106334	5/8" (16mm)

* If replacing 1" filters, replace with locally supplied filters in the size and type listed. Quantities are listed above by size, arrangements are illustrated right, and instructions below apply to both 1" and 2" filters.

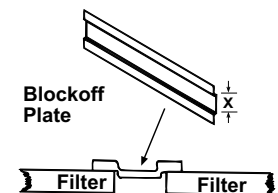
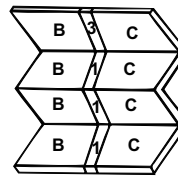
Sizes 400/800/1200



Sizes 700/1050



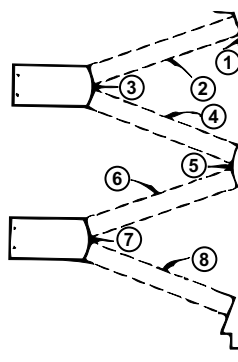
Sizes 500/600



Filter Removal and Installation Instructions - Applies only to RGLB and RPBL Series manufactured prior to 9/91

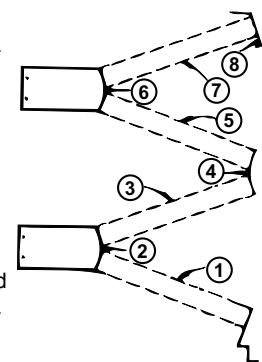
Filter Removal

- Remove screw (1) from the filter rack and remove the retaining angle.
- Rotate filter down and remove from unit. Slide next filter over and rotate down and out. Repeat for remaining filters in top row.
- Remove screw (1) from filter rack and remove retaining angle.
- Rotate filter up and out of rack. Slide the next filter over and rotate up and out. Repeat for remaining filters in the row.
- 5-8. Repeat Steps 3 and 4.
9. See filter installation instruction label.



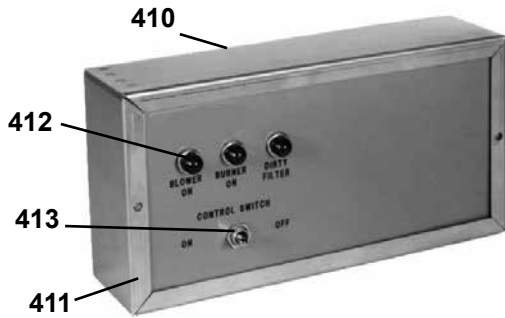
Filter Installation

- Insert filters in the bottom row.
- Replace retaining angle and insert screws (1).
- Insert filters in the next level.
- Replace retaining angle and insert screw (1).
- 5-7. Repeat Steps 3 and 4.
8. Replace retaining angle and insert screws (2).
9. Replace filter cabinet door and secure all latches and screws.

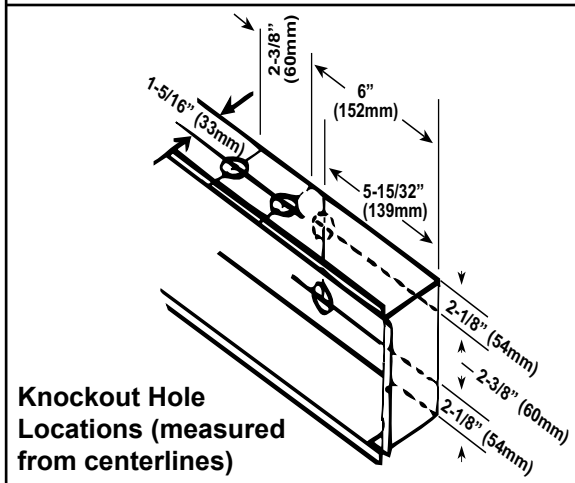
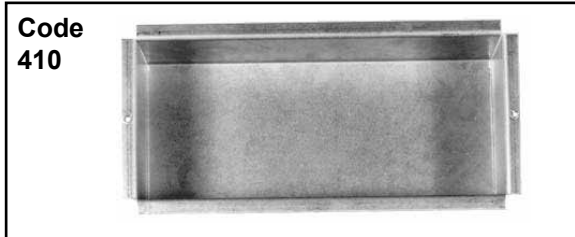


Optional Remote Console

Optional RC style remote console includes a mounting ring so that the console may be either recessed or wall mounted. The box is of 16 gauge steel with knockout holes for field wiring. The cover is made of plastic with custom engraving. Order replacement parts for Option RC remote console by part number.



Code	Description	P/N
410	Remote Console Box - 10-1/16 x 6-5/8 x 2-5/8	107010
	Remote Console Box - 15-1/16 x 6-5/8 x 2-5/8	107011
411	Mounting Ring for 10-1/16" long box	107014
	Mounting Ring for 15-1/16" long box	107015
412	Light for Red Lens, Solico #5TD1L-R-B5	101889
413	SPDT Switch, Cutler Hammer #7505K6	101901
414	DPDT Switch, Cutler Hammer #7561K6	101900
415	Single-Stage Heating Thermostat	255350
416	Two-Stage Heating Thermostat	220630
	Single-Stage Heating/Cooling Thermostat	220632
	Electronic Heating/Cooling Thermostat	221038
417	Potentiometer (See Code 387, page 23)	16110









Remote Console Components by Option - Options RC1-12

Component	Function	In Options	Code
Blower On Light	Lights when blower is operating	RC 1-12	412
Burner On Light	Lights when burners are lit	RC 1-12	412
Dirty Filter Light	Lights when the pressure switch indicates that filters need to be cleaned or replaced	RC 2, 4, 6, 8, 12	412
On/Off Control Switch	On position energizes the unit for thermostat control. "Off" position de-energizes the unit and closes optional automatically controlled outside air dampers	RC 3, 4, 7, 8, 11, 12	413
Summer/Winter/Off Control Switch	Summer position energizes the blower only. Winter position energizes the unit for thermostat control. "Off" position de-energizes the unit and closes optional automatically controlled outside air dampers.	RC 5, 6, 10	414
Heat/Vent/Cool Control Switch	Heat position energizes the unit for thermostat control. "Vent" position energizes the blower and opens optional automatically controlled outside air dampers. "Cool" position energizes the blower, the	RC 7, 8, 11, 12	414
Cooling Light	Lights when cooling system is operating	RC 7, 9, 11, 12	412

Console Dimensions (wall mounted - not recessed)				
Console Options	Optional Control	Length*	Height*	Depth
RC 1, 2, 3, 4, 5, 6, 7, 8, 9, 10, 12	without	10-3/4"	7-5/8"	2-5/8"
RC 1, 2, 3, 4, 5, 6, 9	with	10-3/4"	7-5/8"	2-5/8"
RC 7, 8, 10, 12	with	15-3/4"	7-5/8"	2-5/8"
RC 11	with & without	15-3/4"	7-5/8"	2-5/8"

* Subtract 5/8" when recessing console (not using wall-mounting ring)

Thermostats (Wall mounted Option CL or mounted on the remote console, Option RCT)

P/N 255350 (same as CL1 & RCT1)  1-Stg Heat/Cool, 24v snap acting thermostat (50-90°F) w/fan auto-on & cool-off-heat switches	P/N 220630 (same as CL22 & RCT2)  2-Stg Heat/Cool, 24v digital thermostat (40-90°F) w/fan auto-on function	P/N 24857 (same as CL9)  Electronic modulating room override (60-85°F) low voltage for makeup air	P/N 220632 (same as CL52 & RCT9)  1-Stg Heat/Cool, 24v programmable thermostat (45-88°F) w/fan auto-on and cool/off/heat.	P/N 221038 (same as CL33 & RCT5)  Electronic, 24v programmable thermostat, 2-stg heat and/or cooling	P/N 257338 (same as CL23)  Electronic Two-Stage, 7-day Programmable Thermostat, Touch screen, M/H TB8220U1003, 2-stg heating/2-stg cooling
--	---	--	--	---	---

Disconnect Switches

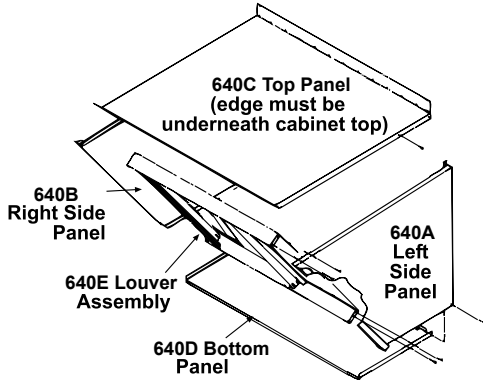


Description	P/N's - USA				P/N's - Canada			
	Outdoor	Same as Opt	Indoor	Same as Opt	Outdoor	Same as Opt	Indoor	Same as Opt
30 Amp 240V Non-Fusible	40269	CP5	40267	CP1				
30 Amp 240V Fusible (less fuses)	87147	CP6	40268	CP2				
30 Amp 600V Non-Fusible	50367	CP7	50365	CP3	208054	CP59	208053	CP58
30 Amp 600V Fusible (less fuses)	50368	CP8	50366	CP4	208046	CP42	208046	CP41
60 Amp 240V Non-Fusible	161469	CP30	161462	CP21				
60 Amp 240V Fusible (less fuses)	161459	CP17	161459	CP17				
60 Amp 600V Non-Fusible	155012	CP38	161464	CP23	208056	CP61	208055	CP60
60 Amp 600V Fusible (less fuses)	161461	CP20	161461	CP20	208048	CP44	208047	CP43
100 Amp 240V Non-Fusible	162834	CP31	161463	CP22				
100 Amp 240V Fusible (less fuses)	90973	CP18	90973	CP18				
100 Amp 600V Non-Fusible	155013	CP39	164330	CP24	208058	CP63	208057	CP62
100 Amp 600V Fusible (less fuses)	155010	CP36	155010	CP36	208050	CP46	208049	CP45

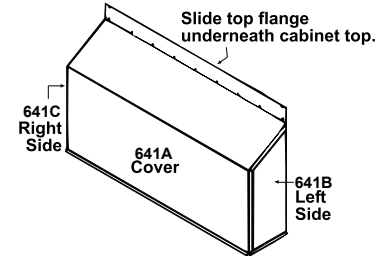
Optional Outside Air Inlet Hood (Weatherhood)

Code	Model RPBL, RGLB Sizes				500/600	750/1050	400/800/ 1200/RBL
	Model (C)(H)RGB/RPB Sizes	75/100/125	150/175/RBA	200/225	250/300	350	400
640	Complete 100% Outside Air Inlet Hood	106201	106202	106203	106204	106205	106206
640A	Weatherhood Left Side	100216					
640B	Weatherhood Right Side	100217					
640C	Weatherhood Top	100227	100228	100229	100230	100231	100232
640D	Weatherhood Bottom	100234	100235	100236	100237	100238	100239
640E	Louver Assembly	103773	103774	103775	103776	103777	103778
641	30% Outside Air Inlet Hood Assembly (part of Options AR6 and AR7)	105117	105118	105119	105120	105121	105122
641A	30% Air Inlet Hood Cover	103797	103798	103799	103800	103801	103802
641B	30% Air Inlet Hood Right Side	100264					
641C	30% Air Inlet Hood Left Side	100265					

Code 640 - Screened Outside Air Hood for 100% Outside Air



Code 641 - 30% Outside Air Hood (Part of Options AR6 and AR7) -- apply to outdoor units only



Optional Cooling Coil Cabinet - Applies to Model Series RGB/RPB and Model Series RGLB/RPBL manufactured beginning 5/99 (Options AU 2, 3, 11, 12, 13, 14). Parts listed here do not apply to cooling coil cabinet Option AU1 manufactured prior to 5/99.)

NOTES: A system with a cooling coil cabinet (Option AU2, AU3, AU11, AU12, AU13, or AU14) requires a special curb cap. This cooling coil cabinet is designed to be factory ordered with the system. Although it is shipped separately for field installation, this cooling coil cabinet is not designed to be added to an already installed system.

For a replacement cooling coil, contact your distributor; supply all model and rating plate information.

Coil Cabinet Option	Description
Opt*	Type of Coil Discharge
AU2	Chilled Water Horizontal
AU3	DX Horizontal
AU11	Chilled Water Vertical
AU12	Chilled Water Vertical with Dampers**
AU13	DX Vertical
AU14	DX Vertical with Dampers**
AY3	Double Wall Cabinet Construction

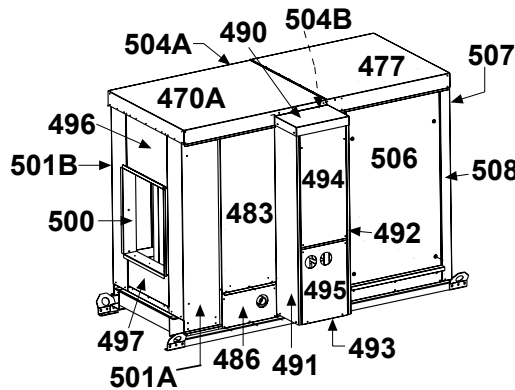
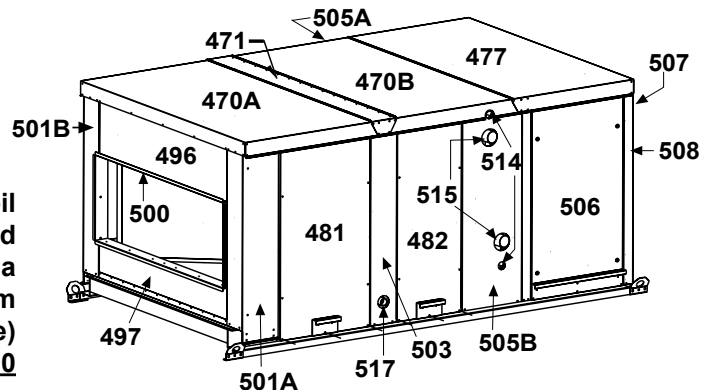


Illustration is a Coil Cabinet for a DX Coil with a Downturn Plenum (Vertical Discharge) for Sizes 75 - 225

* Refer to Option AU column in replacement parts table below.

**Replacement information for discharge dampers is the same as on page 42.

Illustration is a Coil Cabinet for a Chilled Water Coil with a Downturn Plenum (Vertical Discharge) for Sizes 250 - 1200



Code	Model RPBL, RGBL, PGBL Sizes				500, 600	700, 1050	400, 800, 1200		
	Model (C)(H)RGB/RPB Sizes				75, 100, 125	150, 175	200, 225		
	Description	*Opt AU	Construction	P/N					
470A	Coil Cabinet Top	2, 3, 11, 12, 13, 14	Single and Double Wall	172314	172353	172354	172416	172419	172422
470B				--	--	--	172417	172420	172423
471	Top Filler (between top sections)			--	--	--	105629	105630	105631
472	Gasket for Top Filler (under 471)			--	--	--	(2) 103608	(2) 103609	(2) 103610
473	Inner Top Support Insulation			--	--	--	172536	172535	172534
474	Inner Top Support			--	--	--	172482	172483	172484
475	Top Insulation Retainer			172365	172366	172367	(2) 172368	(2) 172400	(2) 172369
476	Top Insulation			172516	172517	172518	(2) 172519	(2) 172521	(2) 172520
477	Plenum Cabinet Top			100063	100064	100065	100066	100067	100068
478	Gasket between Coil & Plenum Cabinet Tops			103605	103606	103607	103608	103609	103610
479	Plenum Cbnt Top Insulation Retainer	100253	100254	100255	100256	100257	100258		
480	Plenum Cabinet Top Insulation	103592	103593	103594	103595	103596	103597		
481	Coil Cabinet Door Assembly	2, 3, 11, 12, 13, 14	Single Wall	172501	172502	172503	(3) 172498	(3) 172499	(3) 172500
			Double Wall	172337	172338	172339	172340	172341	172342
482	Small Coil Cabinet Door Assembly		Single Wall	--	--	--	174012	174013	174014
			Double Wall	--	--	--	172343	172344	172345
483	Top of Split Access Door	2, 11, 12	Single and Double Wall	172373	172374	172375	--	--	--
484	Insulation for Code 483		172525	172526	172527	--	--	--	
485	Liner for Code 483		172486	172487	172488	--	--	--	
486	Btm of Split Access Door		Single and Double Wall	172370	172371	172372	--	--	--
487	Insulation for Code 486		172522	172523	172524	--	--	--	
488	Liner for Code 486		172495	172496	172497	--	--	--	
490	Extended Cabinet (Doghouse) Section Top	3, 13, 14	Single and Double Wall	172326					
491	Left Side of Extended Section			172325					
492	Right Side of Extended Section			172324					
493	Bottom of Extended Section			172327					
494	Top Door of Extended Section			172460					
495	Btm Door of Extended Section			172459					

Code	Model RPBL, RGBL, PGBL Sizes				500, 600	700, 1050	400, 800, 1200			
	Model (C)(H)RG/RP(B) Sizes				75, 100	125	150, 175			
	Description	*Opt AU	Construction	P/N						
496	Top Inlet Side Panel	2, 3, 11, 12, 13, 14	Single and Double Wall	172480	172440	172435	172436	172437	172438	172439
497	Bottom Inlet Side Panel			100036	100037	100038	100039	100040	100041	100042
498	Top Discharge Side Panel (not shown)			172440	172435	172436	172437	172438	172439	
499	Bottom Discharge Side Panel (not shown)			100037	100038	100039	100040	100041	100042	
500	Inlet Duct Flange Assembly			107394	107395	107396	107397	107398	107399	107400
501A	Corner Posts - Inlet End of Cabinet			172478	172306					
501B				172479	172305					
502	Horizontal Discharge Duct Flange Assembly (not shown)			107395	107396	107397	107398	107399	107400	
503	Center Post / Center Post Cover			--	--	--	--	(2) 172461 / (2) 172462		
504A	Corner Posts / Corner Post Covers - Discharge End of Coil Cabinet			3, 13, 14	Single and Double Wall	172306 / 172313				
504B		172321 / 172311								
505A		2, 11, 12	172306 / 172313							
505B	172304 / 172311									
506	Plenum Door Panel Assembly	11, 12, 13, 14	Single Wall	(2) 172532						
			Double Wall	(2) 172310						
507	Plenum Cabinet End Panel Assembly		Single Wall	172504	172505	172506	172507	172508	172509	
			Double Wall	172346	172347	172348	172349	172350	172350	
508	Plenum Cabinet Corner Post / Post Cover		(2) 172442 / (2) 172450							
509	Filler between Plenum & Coil Cabinet		(2) 172451							
510	Adjustable blockoff - coil cabinet	2, 3, 11, 12, 13, 14	Single and Double Wall	174683						
511	Adjustable blockoff - coil cabinet			179336						
512	Adjustable blockoff gasket			(2) 174856	(2) 174857	(2) 174858	(2) 174859	(2) 174860	(2) 174861	
513	Air side blockoff			174685						
514	Rubber Grommet - vent & drain lines	2, 11, 12	Single and Double Wall	(2) 172528, Kennard #825						
515	Rubber Grommet - feed & return lines			(2) 172529, Kennard #2500						
516	Collection Box Assembly (drain)			173568	173569	173570	173571	173572	173573	
517	Rubber Grommet (drain)			39852, Kennard #1625 - 1-1/4"						
518	Drain Pan	(2) 172316	(2) 173528	(2) 173529	(2) 173530	(2) 173531	(2) 173532			
519	Door Latch Replacement Kit	112974								

Parts Shipped Loose (not illustrated) with a New Coil Cabinet Option AU 2, 3, 11, 12, 13, or 14

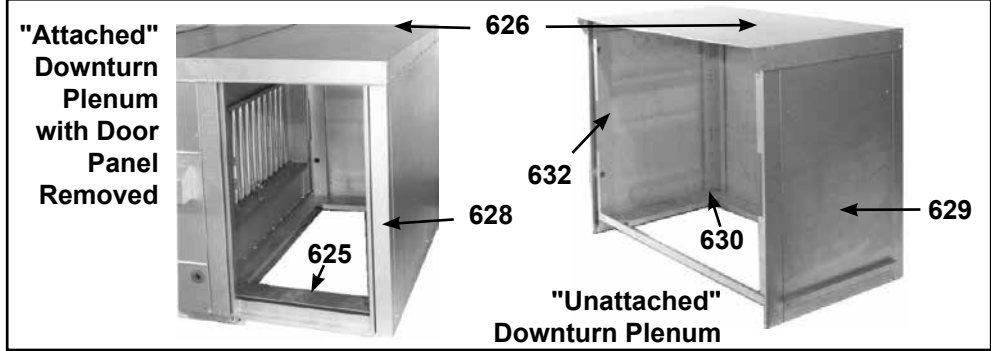
Used to attach the coil cabinet to the heat section; follow instructions in the installation manual.

RPBL, RGBL, PGBL Sizes		500, 600	700, 1050	400, 800, 1200
(C)(H)RGB/RPB Sizes		75, 100	125	150, 175
Description	Qty	200, 225	250, 300	350
Top/Btm Duct Connectors	2	107426, 14"	107427, 16-3/4"	107428, 21-1/4"
Side Duct Connectors	2	107429, 27-3/4"	106338, 36"	106339, 41-1/2"
Sheetmetal Screws	8	106395, 19-1/2"		
Left Side Filler Panel	1	105171, #14 x 3/4" lg		
Right Side Filler Panel	1	172357		
Top Filler Panel	1	172358		
Insulation	2	172359		
Sheetmetal Screws, #10 x 1/2" lg	›	(19) 11813	(19) 11813	(21) 11813
Rubber Gasket Strip, 3/32" x 1-1/8" x ...>	1	(22) 11813	(24) 11813	(25) 11813
		(26) 11813	(27) 11813	(28) 11813
		103606, 40-1/8"	103607, 45-5/8"	103608, 53-7/8"
		103609, 59-3/8"	106310, 64-7/8"	

Optional Downturn Plenum and Discharge Damper - Applies to Model Series RGB/RPB, Model Series RGLB/RPBL, and Blower Cabinet Model RBL

Assembled Replacement Downturn Plenum Cabinet less Curb Cap (no dampers)

RGB/RPB Series	75-125	147140
	150-175	147141
	200-225	147142
	250-300	147143
	350	147144
400	147145	
RGLB/RPBL Series	500, 600	147147
	750, 1050	147148
Model RBL	400, 800, 1200	147146



Assembled Replacement Downturn Plenum Cabinet - If a downturn plenum cabinet needs to be added to the system at the installation site, order the appropriate P/N (above) for a factory-assembled cabinet. Since this cabinet is not factory-built on the system curb cap, a platform or legs must be field fabricated to support the downturn plenum cabinet. Do not support the downturn plenum cabinet with the ductwork. The ductwork connection and roof opening must be flashed and/or sealed to prevent water from entering the ductwork or the building.

Instructions for Attaching Replacement Cabinet

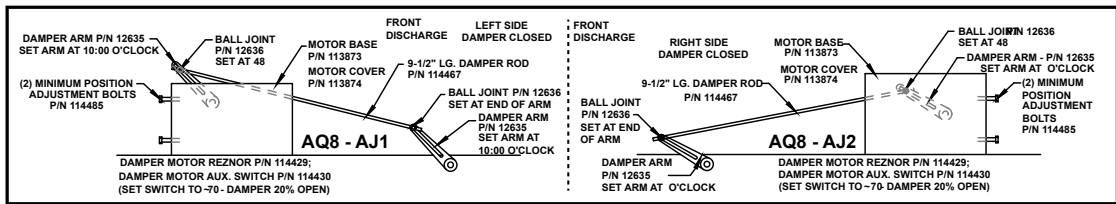
- 1) If the heater is operating, turn off the gas and the electric.
- 2) Position the "open" side of the cabinet against the heater discharge. The top and side posts of the cabinet will "overlap" the heater. Fasten on both sides and across the top with field-supplied, weather-resistant sheet metal screws.
- 3) Provide field-fabricated, weather-resistant support for the cabinet.
- 4) Attach ductwork to the flange on the cabinet. Flash and/or seal the ductwork and the roof opening to prevent water from entering the building or the ductwork.
- 5) Turn on the electric and the gas. Follow the instructions on the lighting instruction plate. Check the heater for proper operation.

Code	Model RPBL, RGLB, PGLB Sizes	Model (C)(H)RGB/RPB Sizes					
		75/100/125	150/175	200/225	250/300	350	400
625	Downturn Plenum Bottom Assembly	103586	103587	103588	103589	103590	103591
626	Downturn Plenum Top Assembly	103611	103612	103613	103614	103615	103616
627	Downturn Plenum Top Assembly Insulation Retainer	100253	100254	100255	100256	100257	100258
628	Downturn Plenum Front Panel Assy	103617	103618	103619	103620	103621	103622
	Downturn Plenum Front Panel Assembly (w/double wall, Opt AY3)	105547	105548	105549	105550	105551	105552
629	Downturn Plenum Door Assembly	(2) 100349					
	Downturn Plenum Door Assembly (w/ double wall, Option AY3)	(2) 104114					
630	Downturn Plenum Corner Post	(2) 114761					
631	Downturn Plenum Corner Post Cap	(2) 100072					
632	Downturn Plenum Cabinet Leg	(2) 100027					
633	Downturn Plenum Cabinet Leg Cap	100069					
	Downturn Plenum Cabinet Leg Cap	100070					
634	Downturn Plenum Top Insulation Clamp	(4) 110537					
635	Door Latch Assy - All cabinet Doors	112974					

Discharge Damper and Controls (See linkage illustrations below.)		Size (see Models on chart left)	P/N
636	Discharge Damper	75/100/125	15868
		150/175	15869
		200 - 1200	12634
637	Discharge Damper and Frame Assembly	75/100/125	105421
		150/175	105422
200 - 1200	105423		
638	Discharge Damper Motor Base	All	113873
639	Discharge Damper Motor Cover		113874
640	Damper Motor, Honeywell ML6161A2009 (replaces M6161A1001)		114429
			114430
641	Auxiliary End Switch, Honeywell 201052A		114430
642	Shaft		113775
643	Damper Arm, Honeywell 26026K		(2) 12635
644	Ball Joint, Honeywell 27518		(2) 12636
645	Damper Rod, 9-1/2" long		114467

Damper Linkage - Option AQ8

AJ1 indicates left side controls; AJ2 indicates right side controls.



Code 650 - Roof Curbs - 16" (same as CJ Options)

Roof Curb Description	Model Series RGLB and RPBL						Model RBL	Model Series RGB and RPB					
	400	500/600	700	800	1050	1200		75/100/125	150/175	200/225	250/300	350	400
Complete Curb Package - Std System	107251	107252	107253	107254	107255	107256	111944	105215	105216	105217	105218	105219	105220
Curb Side Assembly (2)	107257	107258	107258	107258	107259	107259	111940	105221	105221	105221	105221	105221	105221
Curb Front & Back Assembly (2)	104657	104655	104656	104657	104656	104657	104657	104652	104653	104654	104655	104656	104657
Complete Curb Pkg with a Downturn Plenum	107270	107271	107272	107273	107274	107275	111381	104673	104674	104675	104676	104677	104678
Curb Side Assembly (2)	107276	107277	107277	107277	107278	107278	111385	104649	104649	104649	104649	104649	104649
Curb Front & Back Assembly (2)	104657	104655	104656	104657	104656	104657	104657	104652	104653	104654	104655	104656	104657
Complete Curb Pkg with Cooling Coil Cabinet, AU2 or AU3	174102	174103	174104	174105	174106	174107							
Curb Side Assembly (2)	104649	104649	104649	104649	104649	104649							
Curb Side Assembly (2)	172867	172868	172869	172870	172871	172872							
Curb Front & Back Assembly (2)	104657	104655	104656	104657	104656	104657							
Complete Curb Pkg with Cooling Coil Cabinet & Downturn Plenum, AU11, AU12, AU13, or AU14	174108	174109	174110	174111	174112	174113							
Curb Side Assembly (2)	104649	104649	104649	104649	173606	173606							
Curb Side Assembly (2)	172879	172880	172881	172882	172883	172884							
Curb Front & Back Assembly (2)	104657	104655	104656	104657	104656	104657							

Model RPDBL	800	1000 & 1200	1400	1600
Roof Curb Pkg w/Downturn	177171	177177	177179	177181
Roof Curb Pkg w/o Downturn	177172	177178	177180	177182

Curb Hardware and Tape	
P/N	Description
16247	Hex Head Cap Screw 5/16" x 3/4" long
1035	Hex Nut 5/16"-18
16243	Lag Screw 5/16" x 1" long
1333	Lockwasher 5/16"
66302	50 ft, 1/4" x 1-1/4" Foam Sealant Tape

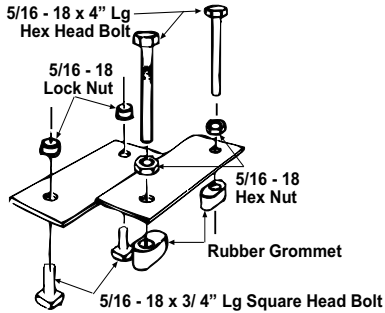
**Model RBL/RBA/RBHA
Blower Cabinets -
Blowers and Cabinet
Parts**

Model RBA is a stand-alone blower cabinet comparable in size and capacity to the cabinet that is a factory-assembled portion of packaged Models RGB/RPB 150.

Model RBHA is a Model RBA blower cabinet designed for special applications requiring inlet air temperatures above that recommended by the motor manufacturer. The blower motor, bearings, and adjustable drive are mounted in a weatherized housing external to the airstream.

Model RBL is the "stand-alone" blower cabinet comparable in size and capacity to the cabinet that is a factory-assembled portion of all RGLB and RPBL Models

Code 652 for RBA - Motor Adjustment Bracket used on RBA with less than 1HP Motor



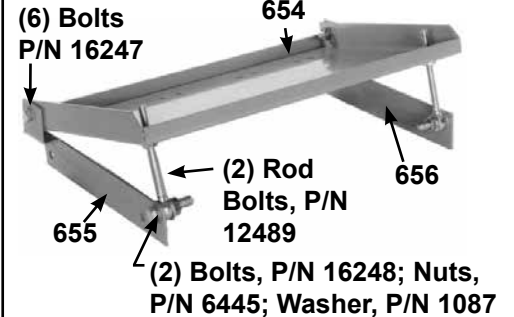
Code 652B for RBA - Replacement Hardware Bag for Code 799



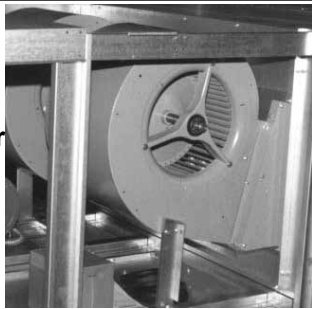
Code 653 for RBA with motors less than 1HP



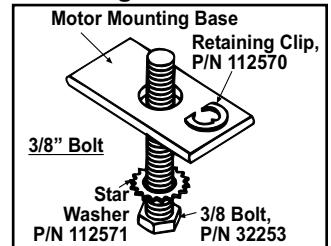
Codes 654-656 - Motor Mounting Plate for RBA and RBHA with 1-5HP Motor



Blower bearing support and Blower motor on a Model RBL with up to 5HP Motor

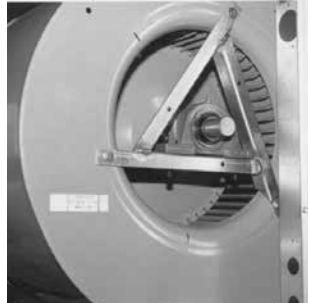


Code 657 - Motor Mounting Bolts



Blower Triangular Bearing Mount for RBL w/a 7-1/2 or 10 HP Motor

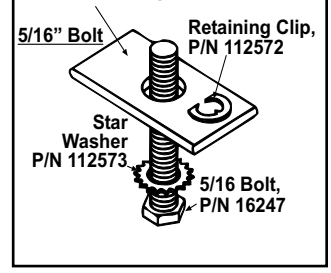
Description	P/N
Left Bearing Support Assy	112971
Right Bearing Support Assy	112972
Pillowblock Bearing, 1-1/16"	(2)112973
1/2-13 x 2" Cap Screw GR-8	(4)111304
1/2-13 Nut GR-8	(4)111305
1/2 Lockwasher	(4)111306
1/4-20 Cap Screws	(6)16246
1/4-20 Lock Nut	(6)10650



Model RBL with 15 - 20 HP Motor



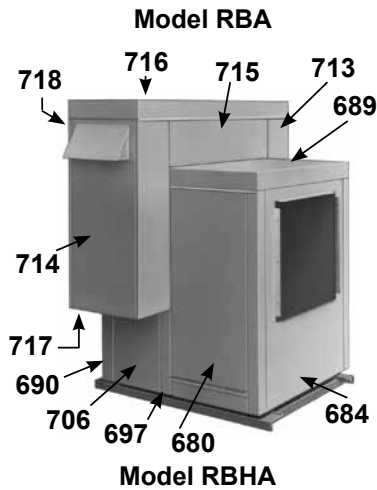
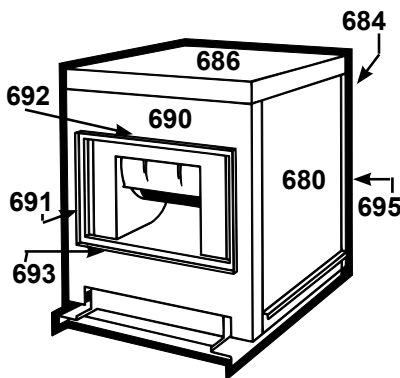
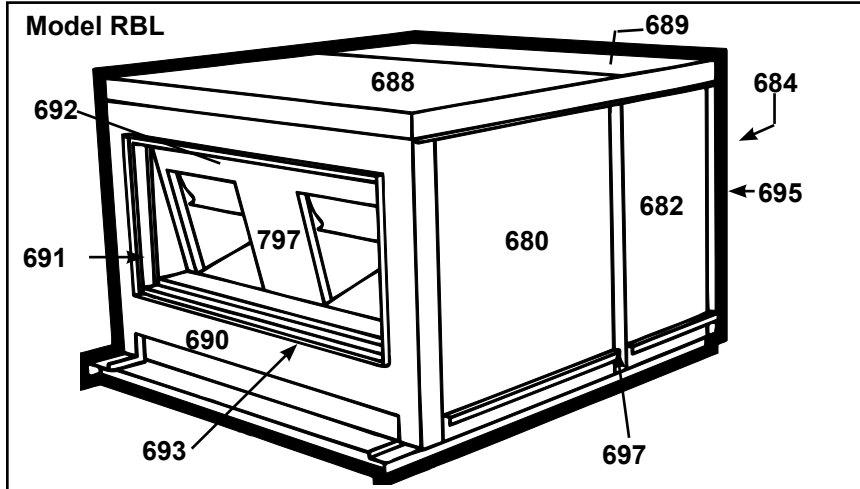
Motor Mounting Base



Code	Description	RBA	RBHA	RBL
651	Motor Mount Support Assy	--	--	(2)106698 (< 15HP mtr); 149008 (15 & 20 HP)
652	Motor Adjustment Bracket Assy	44411 (<1HP)	--	106274 (< 15HP mtr); 149009 (15 & 20 HP)
652A	Motor Adjustment Angle	--	--	105633 (< 15HP mtr); 149010 (15 & 20 HP)
652B	Hardware Bag (for motors <1 HP)	64940	--	--
653	Motor Mounting Strap (for < 1 HP)	102533, 12"	--	--
654	Motor Mounting Plate	12579, 1-3HP; 12578, 5HP	12578	106295 (Assembly)
655	Motor Mounting Plate Left Support	12576	--	--
656	Motor Mounting Plate Right Support	12577	--	--
657	Motor Mounting Bolts - See illustration right above.	--	--	--
658	Blower Housing and Wheel	1360, A12-12AC	112606, A12- 12AC	(2) 14469, Lau 15 x 11
659	Blower Shaft	11303, 1"x22"lg	112608, 1"x45"lg	13589, 1-3/16x48" lg
660	Bearings	(2) 10437	(2) 15298	(2) 14474 (< 10 HP)
661	Bearing Bracket	--	--	(2) 24233 (< 10 HP)
662	Heavy Duty Blower (15-20HP Mtrs) Rt	--	--	106937, 15 x 11
663	Heavy Duty Blower (15-20HP Mtrs) Lft	--	--	106938, 15 x 11
664	Heavy Duty Blower Shaft 15-20HP Mtr	--	--	106941, 1-7/16" x 53" lg
665	Blower Shaft Key for Heavy Duty Blwr	--	--	(4) 134638
666	Pillowblock Bearings, 1-7/16"	--	--	(2) 170108 (replaces 106942)
667	Class II Blower Support - Right Side	--	--	149520
668	Class II Blower Support - Left Side	--	--	149521
669	Filter Rack Middle / Bottom	1&2" Filters	104059 / 104073	--
670	Filter Rack Top / Bottom	1" Filters	--	114721 / 114713
671	Filter Rack Rear / Front	1" Filters	--	(2) 114709 / (2) 114697
672	Filter Rack Top / Bottom	2" Filters	--	114725 / 114717
673	Filter Rack Rear / Front	2" Filters	--	(2) 114705 / (2) 114693

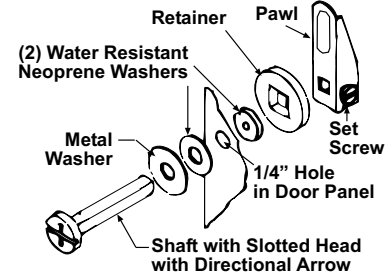
Model RBL/RBA/RBHA Blower Cabinets - Cabinet Parts (cont'd)

NOTE: Model RBL and RBA cabinet parts may be of either uninsulated single-wall construction, insulated single-wall construction, or double-wall construction which consists of two metal panels with insulation between. Select the replacement part that matches the original construction. Model RBHA is only available in insulated single-wall construction.



Code 683 - Replacement Door Latch Kit, P/N 112974

Assembly sequence for installing replacement door latch.



Code	Description	RBA	RBHA	RBL	Code	Description	RBA	RBHA	RBL	
675	Bottom Assembly	solid	103753	112614	--	691	Duct Flange Side (2)	110421	110093	
		w/opening	112882	--	--	692	Duct Flange Top	110423	110092	
676	Bottom Right Half	solid	--	--	106244	693	Duct Flange Bottom	110422	110092	
		w/opening	--	--	105608	694	Corner Post (internal) (2)	114761	--	
677	Bottom Left Half	solid	--	--	106240	695	Corner Post Cap (2)	100072	--	
		w/opening	--	--	104367	696	Intermediate Post (internal)	--	104373	114762
678	Bottom Support (2)	--	--	105637	697	Intermediate Post Cap (2)	--	104372	--	
679	Bottom Insulation Retainers		114224	111013	698	Top Front Panel (internal)	--	112376	105612	
			114222	111017	699	Bottom Front Panel (internal)	--	--	105616	
680	Door Assembly (2)	uninsulated	111281	--	111281	700	Vertical Blower Support - Left	--	--	106299
		insulated	100347	112600	100347	701	Vertical Blower Support - Right	--	--	106943
		double wall	104115	--	104118	702	Horizontal Blower Support (2)	110388	31576	
681	Door support (2)		100073	112607	--	703	Cabinet Leg - Left (internal)	--	--	105603
682	Filter Section Door Assy (2)	uninsulated	--	--	111282	704	Cabinet Leg - Right (internal)	--	--	105604
		insulated	--	--	106276	705	Inner Front Wrapper	111985	--	--
683	Door Latch Assembly		112974	--	--	706	Left Inner Side Panel Assy	--	112602	--
684	End Panel Assy - 100% opening	uninsulated	111990	--	111286	707	Right Inner Side Panel Assy	--	112603	--
		insulated	103639	--	103643	708	Mtr Base Support Rail (internal)	--	112704	--
		double wall	105542	--	105546	709	Bearing Block Spprt (internal) (2)	--	112371	--
684	End Panel Assy - solid	uninsulated	112109	103618	111290	710	Right Side Mtr Support (internal)	--	112383	--
		insulated	103618	--	103622	711	Left Side Mtr Support (internal)	--	112382	--
		double wall	105548	--	105552	712	Mtr Compartment Frnt Legs (2)	--	112381	--
684	End Panel Assy - 30% opening	uninsulated	112108	--	111292	713	Mtr Compartment Rear Legs (2)	--	112380	--
		insulated	105112	--	105116	714	Mtr Compartment Door Assy	--	112604	--
		double wall	105554	--	105558	715	Motor Cmptrmnt Rear	--	112384	--
685	End Panel Support	w/o filters	100076	--	100080	716	Motor Compartment Top	--	112388	--
		w/filters	104080	--	100080	717	Motor Compartment Btm (2)	--	112385	--
686	Cabinet Top	uninsulated	110419	--	--	718	Motor Compartment Door	--	112386	--
687	Top Support		110387	105602	719	Electrical Panel	--	112375	--	
688	Cabinet Top (Front)	uninsulated	--	112376	111284	720	Electrical Box	100092	--	100092
		insulated	--	112377	105598	721	Electrical Box Cover	100095	--	100095
689	Cabinet Top (Rear)	uninsulated	--	--	106288	722	Blower Adapter Back Assy	--	--	106294
		insulated	--	--	106288					
690	End Wrapper		110420	110095						

Specifications & illustrations subject to change without notice and without incurring obligations.

© Nortek Global HVAC, LLC 2018. All rights reserved.

All marks are the property of their respective organizations.

O'Fallon, MO | Printed in U.S.A. (03/18)

Form P-RG/RP/RBL (03-18) PN263984 R14