

INSTALLATION INSTRUCTIONS

INSTALLATION INSTRUCTIONS FOR 559538 / 559539 / 559540 / 559541 ROOF CURBS USED WITH R6GN 150/180 UNITS

FORM# 122D-0109

This Roof Curb is NRCA approved and is constructed of 18 gauge galvanized steel with a full perimeter 2" x 4" wood nailer strip. The curb is designed to be used with the Cooling, Gas Electric, and Heat Pump Models. The curb is shipped with the following parts, as shown in Figure 2:

- 2 ea. Curb Long Sides - 94 1/2" Long (A)
- 2 ea. Curb Short Sides - 77 1/2" Long (B)
- 1 ea. Condensor Pans - 74 x 15 3/16" (C)
- 2 ea. Condensor Pans - 74 x 18 5/8" (D)
- 1 ea. Hardware Package Includes:
 - 4 ea. "Hinge" Pins 3/16"
 - 10 ea. Hex Washers screws #10 x 1/2"
- 3 ea. Gasket 3/4" x 1 1/4" x 14' (42 ft. total)

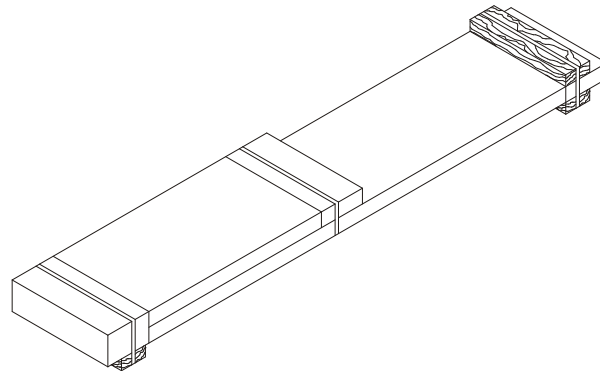


Figure 1

Step 1:

Curb Package is shown as shipped with easy to identify part numbers on all sides. Cut shipping bands and remove Hardware, Gasket, and 3 Condensor Pans.

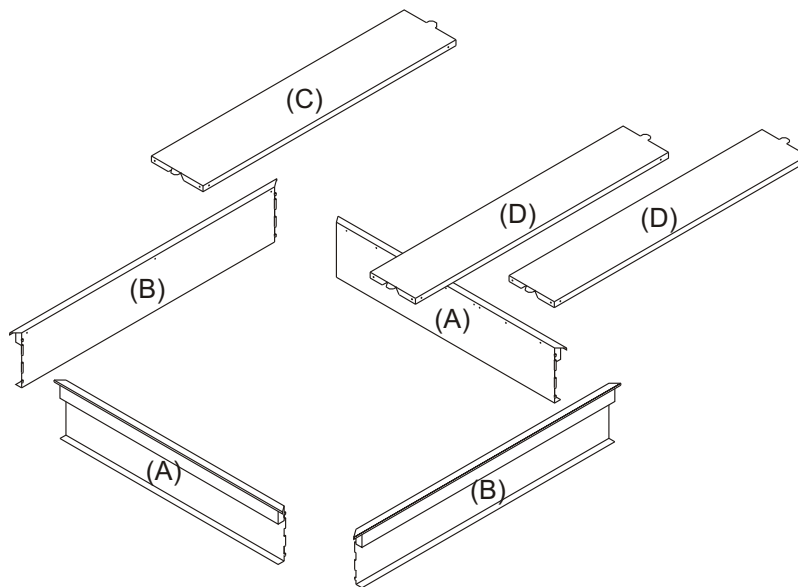


Figure 2

Step 2:

Layout the curb pieces before assembly to insure that all the necessary pieces are included.

U.S. PATENT 5148647

INSTALLATION INSTRUCTIONS

INSTALLATION INSTRUCTIONS FOR 559538 / 559539 / 559540 / 559541 ROOF CURBS USED WITH R6GN 150/180 UNITS

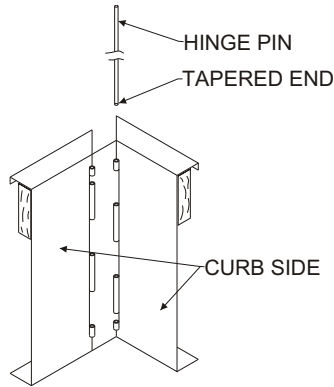


Figure 3

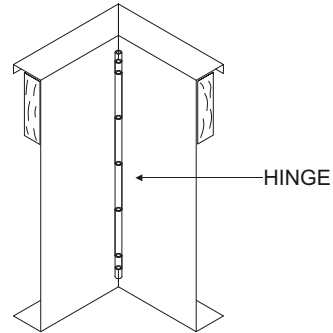


Figure 4

Step 3:

Corner Assembly: Align each curb side as shown in Figure 3. Using a hammer, drive the curb "hinge" pin down until the top of the pin is below the top of the curb as shown in Figure 4.

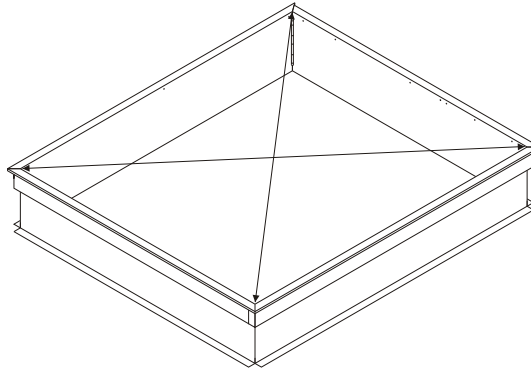
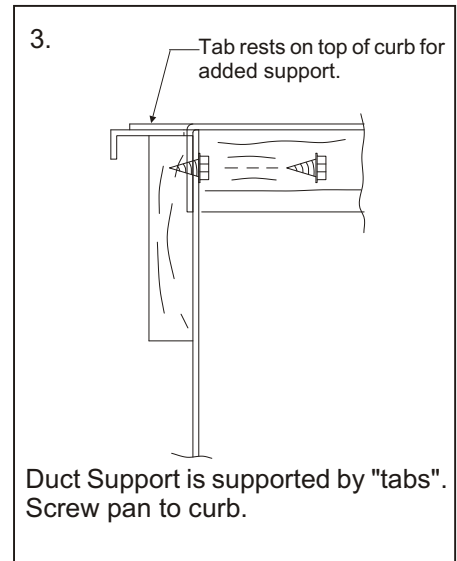
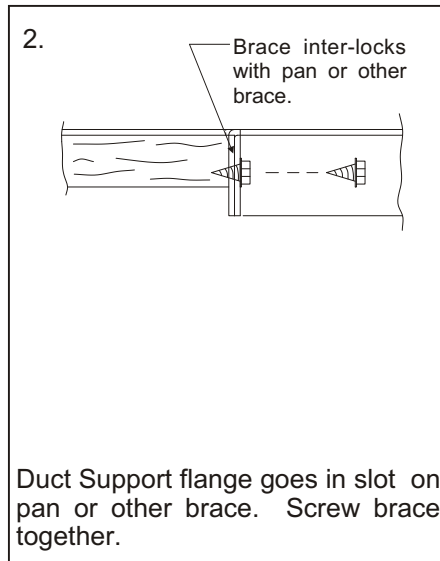
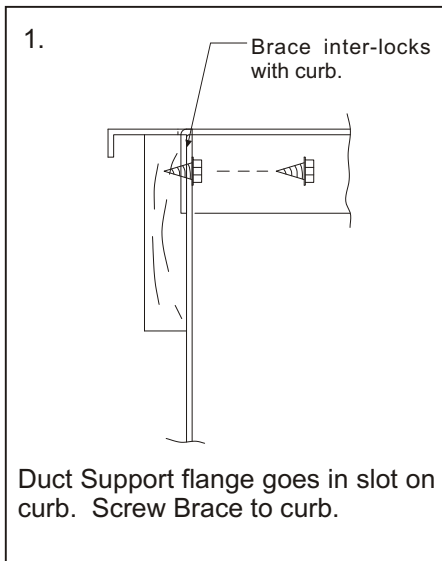


Figure 5

Step 4:

After the four corners are assembled; the curb should be checked to be sure it is in "square". Do this by measuring diagonally from each opposite corner see Figure 5. The two measurements should be the same for each direction.

DETAILS



INSTALLATION INSTRUCTIONS

INSTALLATION INSTRUCTIONS FOR 559538 / 559539 / 559540 / 559541 ROOF CURBS USED WITH R6GN 150/180 UNITS

Note:

Condenser Pans can be located on either end depending on individual applications.

Step 5:

Install the condenser pan (C) as shown with opening over the desired duct location as shown in Figure 6.

Step 6:

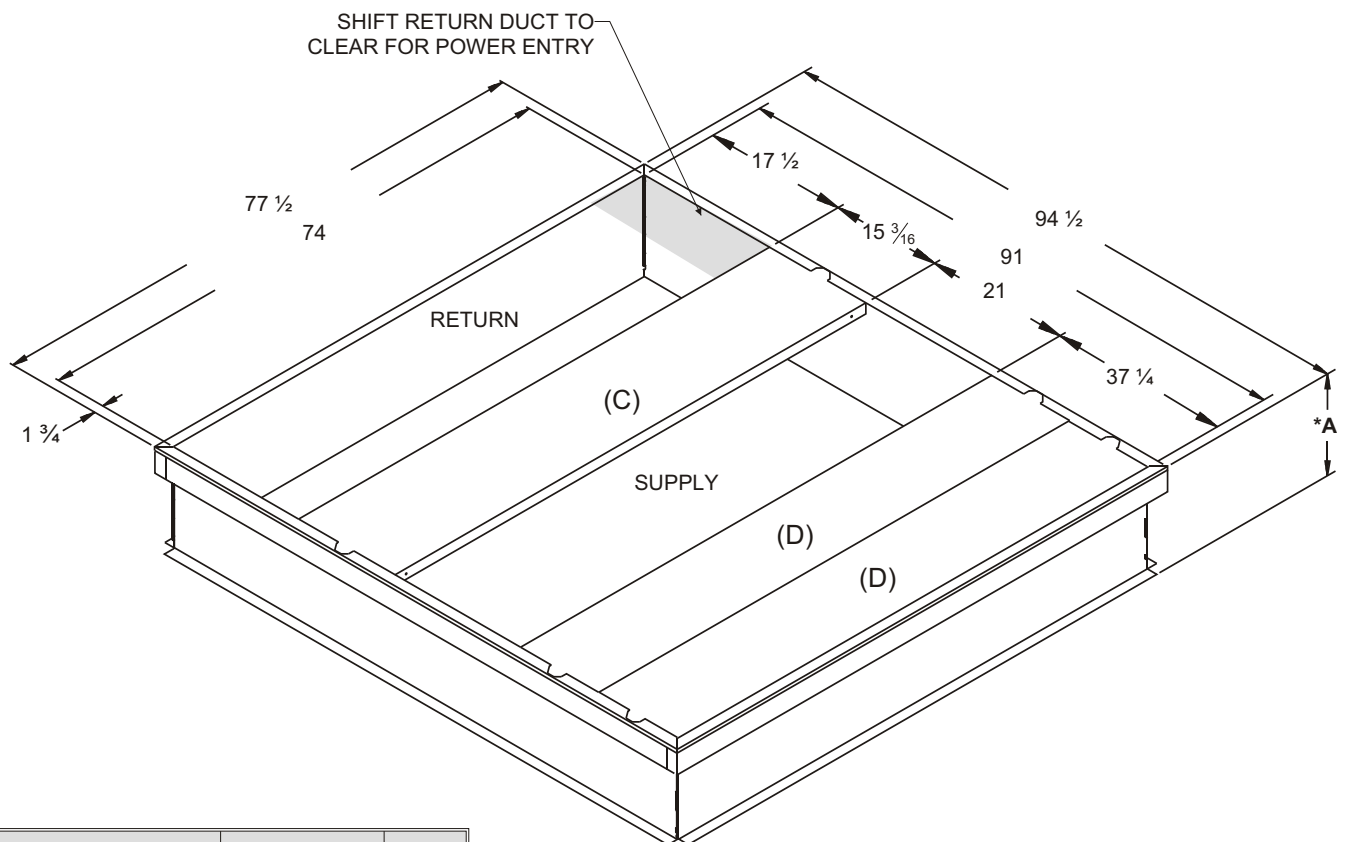
Install both condenser pans (D) as shown in Figure 6.

Step 7:

If the curb is being assembled and moved to another location, attach the condenser pans as shown in "Details".

Step 8:

Place the $\frac{3}{4}$ " x $1\frac{1}{4}$ " Gasket on all of the top edges of the roof curb, including the condenser pans.



NORDYNE PART#	RSI PART#	A
559538	47-201-1108	8
559539	47-201-1114	14
559540	47-201-1118	18
559541	47-201-1124	24

ROOF OPENING:
74" Long
55" Wide

DUCT SIZES ARE:
Return 68 1/2 x 17 1/4
Supply 73 1/2 x 20 1/2

Figure 6

INSTALLATION INSTRUCTIONS

INSTALLATION INSTRUCTIONS FOR
559538 / 559539 / 559540 / 559541
ROOF CURBS USED WITH R6GN 150/180 UNITS

ROOF INSTRUCTIONS

