

INSTALLATION INSTRUCTIONS

INSTALLATION INSTRUCTIONS FOR 559543 HORIZONTAL ROOF CURB WITH DUCT USED WITH R6GN 150/180 UNITS

FORM# 123D-0109

This Roof Curb is NRCA approved and is constructed of 16 gauge galvanized steel with a full perimeter 2" x 4" wood nailer strip. The curb is designed to be used with the Cooling, Gas Electric, and Heat Pump Models. The curb is shipped with the following parts, See Figure 2:

- 2 ea. Curb Long Sides - 94 1/2" Long (A)
- 1 ea. Curb Short Sides - 77 3/8" Long (B)
- 1 ea. Curb Short Side w/ Duct Opening - 77 3/8" Long (C)
- 2 ea. Condensor Pans - 74 x 18 5/8" (D)
- 2 ea. Condensor Pans - 74 x 16 3/8" (E)
- 1 ea. Deflectors - 74 x 19 13/16" (F)
- 1 ea. Deflectors - 74 x 18 13/16" (G)
- 2 ea. Duct Panel - 74 x 27 5/16" (H)
- 1 ea. Divider Panel - 74 x 22 1/2" (J)
- 1 ea. Horizontal Braces (K)
- 1 ea. Hardware Package Includes:
 - 4 ea. "Hinge" Pins 3/16"
 - 90 ea. Hex Washers screws #10 x 1/2"
- 3 ea. Gasket 3/4" x 1 1/4" x 14' (42 ft. total)

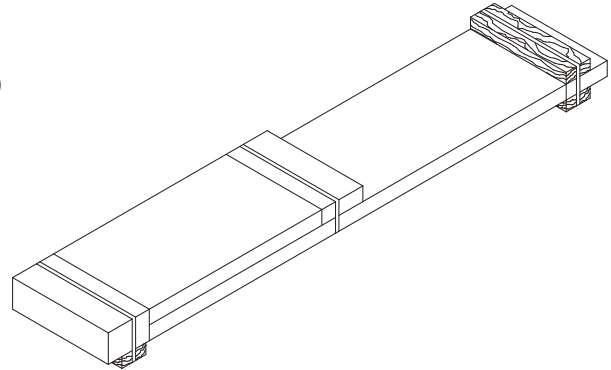


Figure 1

Step 1:

Curb Package is shown as shipped with easy to identify part numbers on all sides. Cut shipping bands and remove all parts to verify parts to above list.

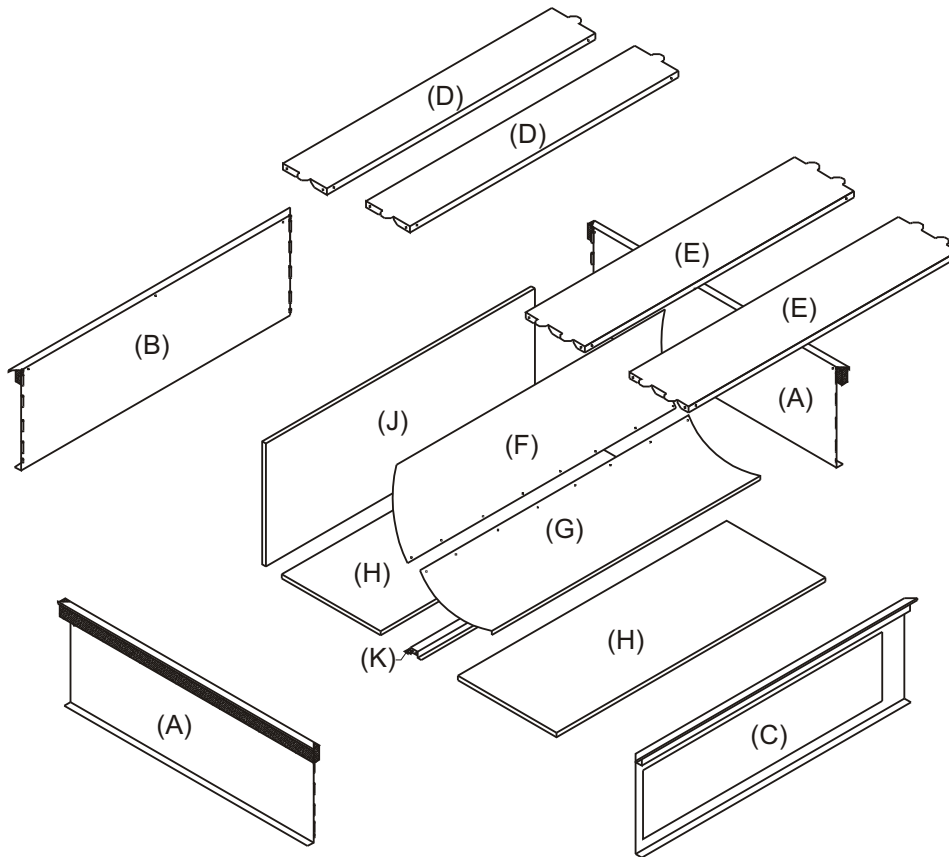


Figure 2

Step 2:

Layout the curb pieces before assembly to insure that all the necessary pieces are included.

U.S. PATENT 5148647

INSTALLATION INSTRUCTIONS

INSTALLATION INSTRUCTIONS FOR 559543 HORIZONTAL ROOF CURB WITH DUCT USED WITH R6GN 150/180 UNITS

Step 3:

Corner Assembly: Align each curb side as shown in Detail "A". Using a hammer, drive the curb "hinge" pin down until the top of the pin is below the top of the curb as shown in Detail "B".

Step 4:

After the four corners are assembled; the curb should be checked to be sure it is in "square". Do this by measuring diagonally from each opposite corner. The two measurements should be the same for each direction. See Figure 3.

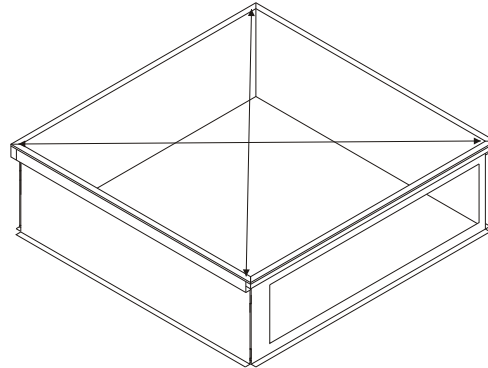
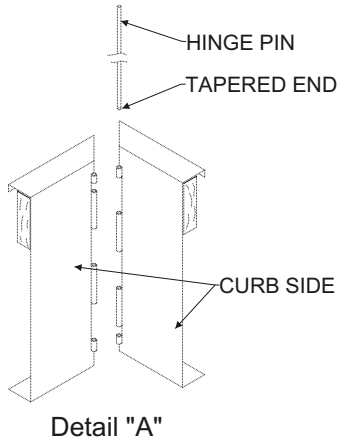
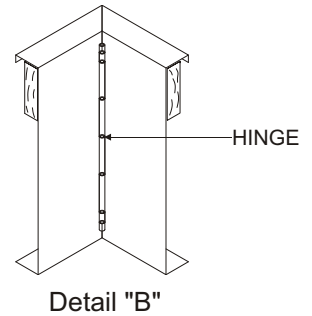


Figure 3



Step 5:

Install horizontal braces (K) to support lower panels. Use prepunched holes to align braces. See Figure 4.

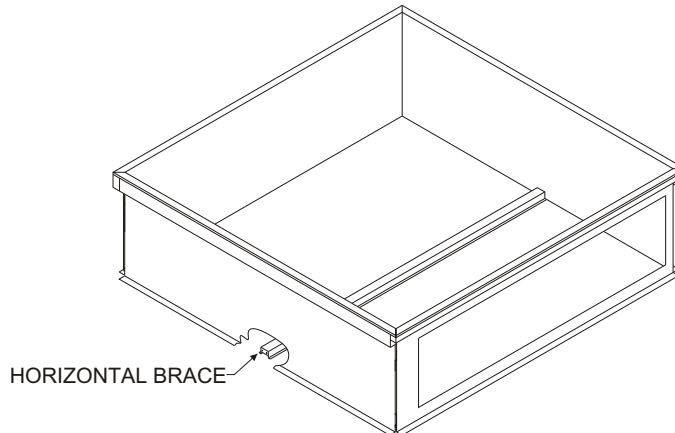


Figure 4

Step 6:

Install divider panel (J) using prepunched holes for alignment. See Figure 5.

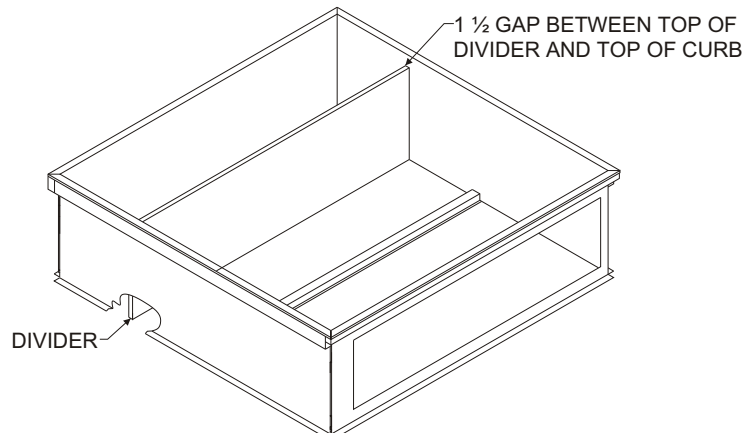


Figure 5

INSTALLATION INSTRUCTIONS

INSTALLATION INSTRUCTIONS FOR 559543 HORIZONTAL ROOF CURB WITH DUCT USED WITH R6GN 150/180 UNITS

Step 7:

Install duct panel (H) #1 with holes located as shown in Figure 6. Secure duct panel (H) #1 to divider panel (J) and curb sides (A).

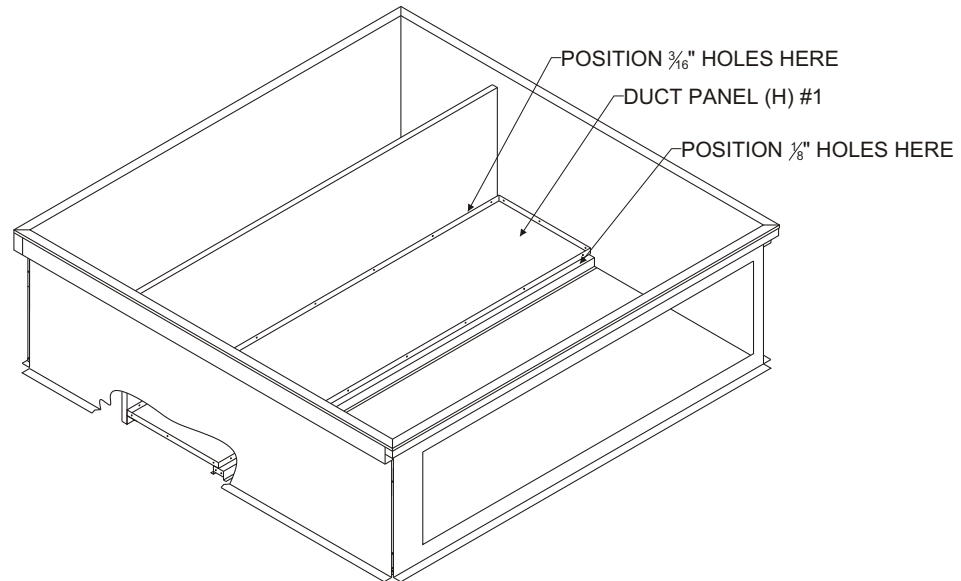


Figure 6

Step 8:

Screw deflectors (F and G) together as shown in Figure 7.

Step 9:

Place deflector assembly (F and G) into curb and screw to divider panel (J).

Step 10:

Install duct panel (H) #2 into curb making sure the deflector (G) is between duct panel (H) #1 and #2 as shown in Detail "C".

Step 11:

Then secure all 4 sides of duct panel (H) #2.

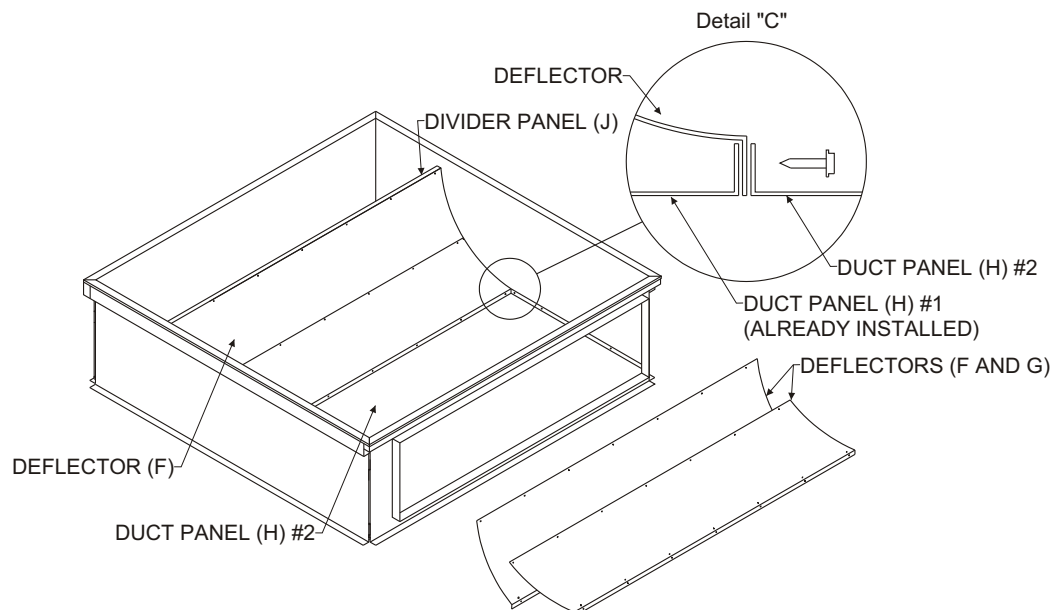


Figure 7

INSTALLATION INSTRUCTIONS

INSTALLATION INSTRUCTIONS FOR 559543 HORIZONTAL ROOF CURB WITH DUCT USED WITH R6GN 150/180 UNITS

Step 12:

Install both condenser pans (D) as shown in Figure 8.

Step 13:

Install both condenser pans (E) as shown Figure 8.

Step 14:

If the curb is being assembled and moved to another location, attach the condenser pans.

Step 15:

Place the $\frac{3}{4}$ " x $1\frac{1}{4}$ " gasket on all of the top edges of the roof curb, including the condenser pans.

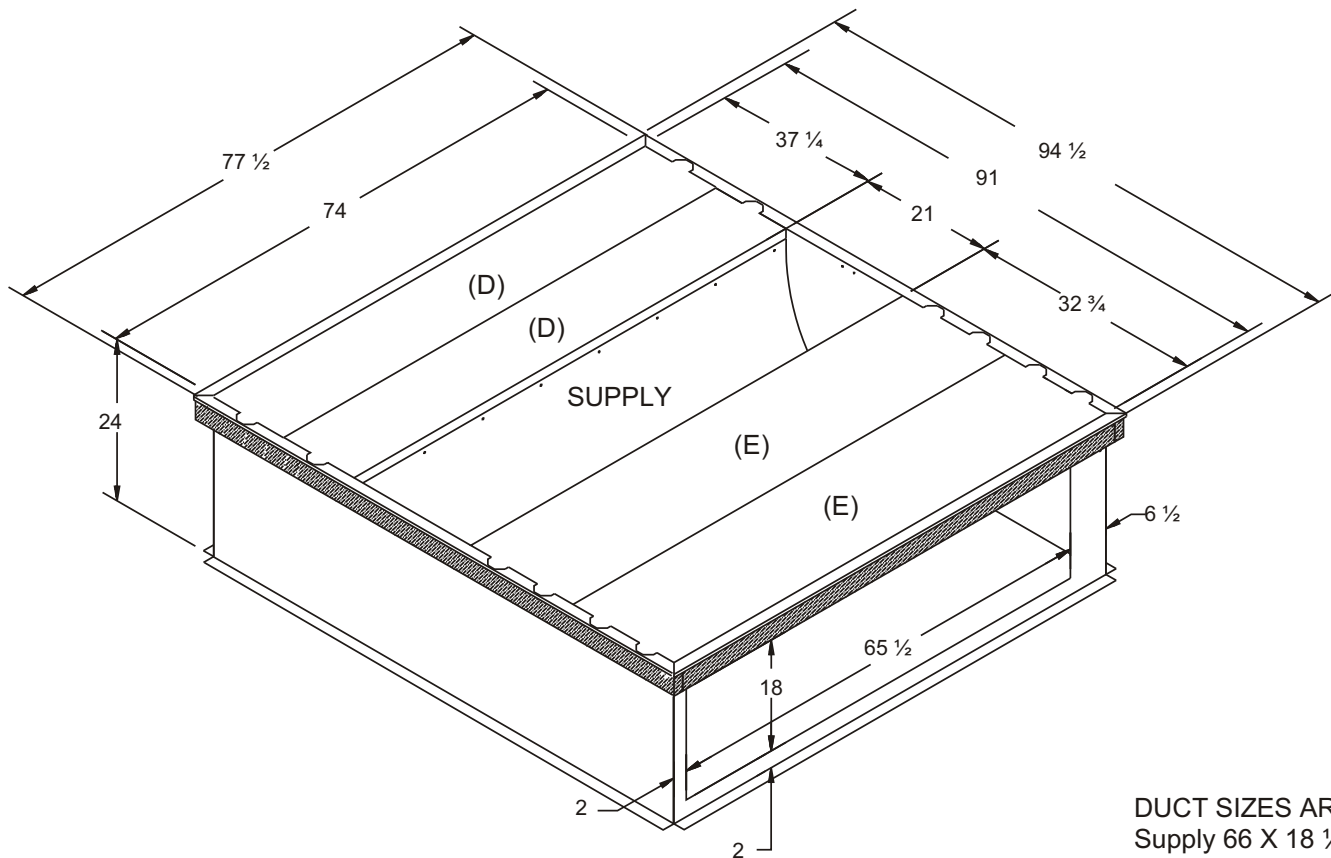
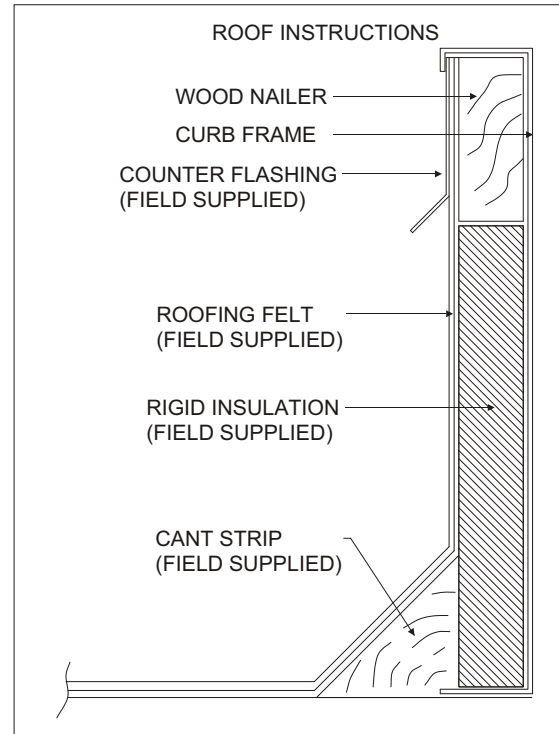


Figure 8