

INSTALLATION INSTRUCTION

INSTALLATION INSTRUCTIONS FOR 547872 / 547881 HORIZONTAL AIR DISCHARGE KIT USED WITH R4GN/P4SN/P6SP/Q6SP 090-120 & R6GP 120 UNITS

FORM# 612A-0411 (612A-1110)

I—SHIPPING AND PACKING LIST

Package 1 of 1 contains:

- 1—Supply Air Cover Panel
 - 1—Return Air Cover Panel
 - 1—Supply Panel w/ Duct Opening
 - 1—Return Panel w/ Duct Opening
 - 1—Return Filter Access Panel
 - 1—Bag assembly containing:
 - 1—Limit Switch
- (Used on Gas Heat Models Only - R4GN Series & R6GP 120*-235C)**
- 2—Clips (304260)
 - 6—Screws 10 x ½ x 16 Hex Tec

Check contents for shipping damage. Contact the last carrier immediately if any shipping damage is found.

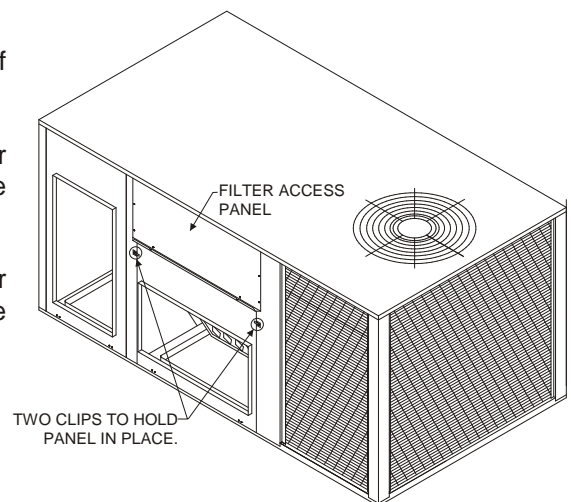
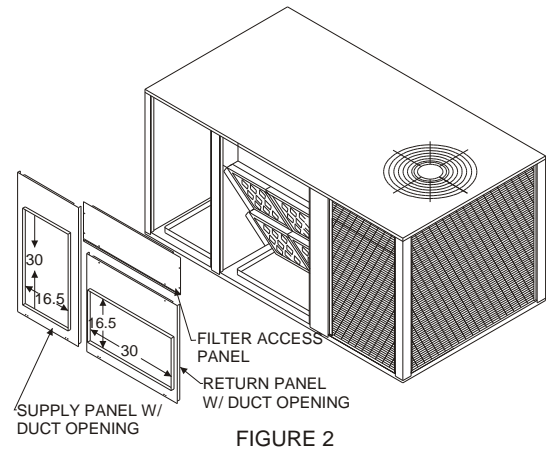
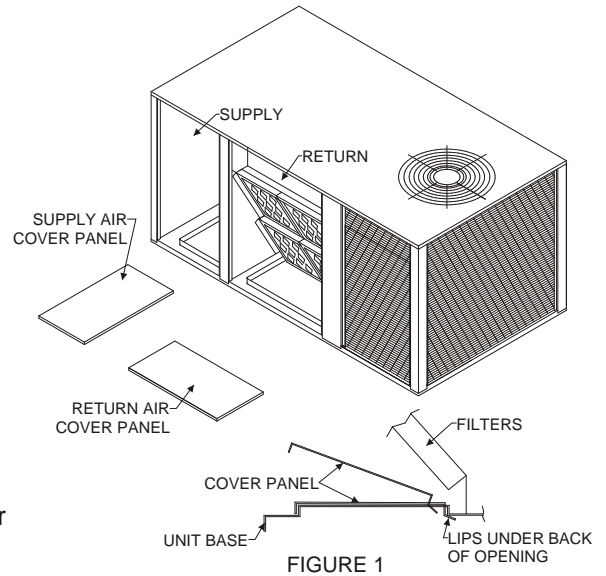
II—APPLICATION

This kit provides a means of converting downflow discharge rooftop equipment to horizontal discharge by supplying cover panels for downflow air openings and replacement panels for side air openings.

Notice to Installer - (For R4GN Series & R6GP 120*-235C Models Only) Upper Main Air Temperature Limit **must** be replaced with Part #626485 when installing this kit. See steps 8-13 for installation.

III—INSTALLATION

- 1—Remove existing supply and return access panels of unit to provide for horizontal air openings. Retain screws to be used later.
- 2—Place supply air cover panel (insulated side down) over flanges of supply air opening in bottom of unit. Fasten cover panel to flanges and, using holes in cover as a guide, drill holes in opening flanges and attach cover with screws provided.
- 3—Place return air cover panel (insulated side down) over flanges of return air opening and attach as per step 1 above. See Figure 1.
- 4—Install supply panel with duct opening to unit horizontal supply air opening of unit. Using holes in the bottom of panel and secure with screws from Step 1.
- 5—Install return panel with duct opening to unit horizontal return air opening of unit. Using holes in the bottom of panel and secure with screws from Step 1.
- 6—Take the two clips and place one on each side of return panel and using a screw from the unit posts to secure so tab is over return panel.
- 7—Attach filter access panel, above return air opening, flush with top panel. With panel firmly against flanges, install two screws provided and tighten securely. See Figure 3.



INSTALLATION INSTRUCTION

INSTALLATION INSTRUCTIONS FOR
547872 / 547881
HORIZONTAL AIR DISCHARGE KIT
USED WITH R4GN/P4SN/P6SP/Q6SP 090-120 & R6GP 120 UNITS

Note: For Gas Heat Models Only.

8—Disconnect all electrical power to unit before replacing limit control.

9—Remove blower access panel and locate upper main air limit on interior divider panel above blower outlet duct.

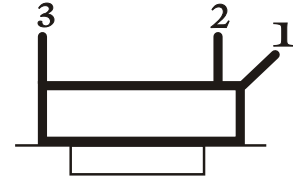
10—Remove screws securing upper main air limit in place.

WARNING! MARK ALL WIRES AND NOTE TERMINAL ORIENTATION BEFORE REMOVAL OF WIRING OR TRANSFER WIRES IMMEDIATELY TO NEW MAIN AIR LIMIT TO ENSURE PROPER OPERATION OF UNIT.

Combustion Blower Motor Switch Lead (Single Red) - Terminal #1

Blower Limit Relay Leads (Dual Red) - Terminal #2

Upper to Lower Main Air Limit Lead (Single Red) - Terminal #3



11—Install new upper main air limit, Part # 626485 and secure using screws from Step 10.

12—Check all terminals for proper connections.

13—Replace blower access panel and reconnect electrical power to unit.