

INSTALLATION INSTRUCTION

INSTALLATION INSTRUCTIONS FOR 555633 MOTORIZED (OAD) OUTSIDE AIR DAMPER USED WITH GR4GM 150/180 UNITS

FORM# 655B-0808 (655B-0504)

Note: 919275 Fresh Air hood is required

I - SHIPPING AND PACKING LIST

Package 1 of 1 contains:

- 1 - Damper Section with Motor
- 6 - Screws 10 x ½ x 16 Hex Tex

Check contents for shipping damage. Contact the last carrier immediately if any shipping damage is found.

II - APPLICATION

The Outside Air Dampers (OAD) are designed to fit the Return Access Panel. The motorized dampers use a 2-position motor that opens when blower is energized.

III - INSTALLATION

DISCONNECT ALL ELECTRICAL POWER TO THE UNIT BEFORE SERVICING.

1. Remove fresh air hood and OAD panel from unit.
2. Remove OAD slide dampers and set to side for later use.
3. Align damper section to mounting holes in OAD panel and secure using screws provided on this kit. See Figure 2.
4. Replace OAD slide dampers in desired position.
5. Place OAD Panel back in same place unit panel was located. Connect (P1) plug from OAD to (S1) economizer plug on unit.
6. Replace fresh air hood over OAD panel and secure using screws removed in Step 1. Seal any corners, clearance holes, etc. to ensure a watertight seal.
7. Restore all electrical power to the unit.
8. Check proper operation of the Outside Air Damper by energizing the indoor blower motor. Ensure wire harness is secured out of the way and dampers operate when 24V power is supplied.

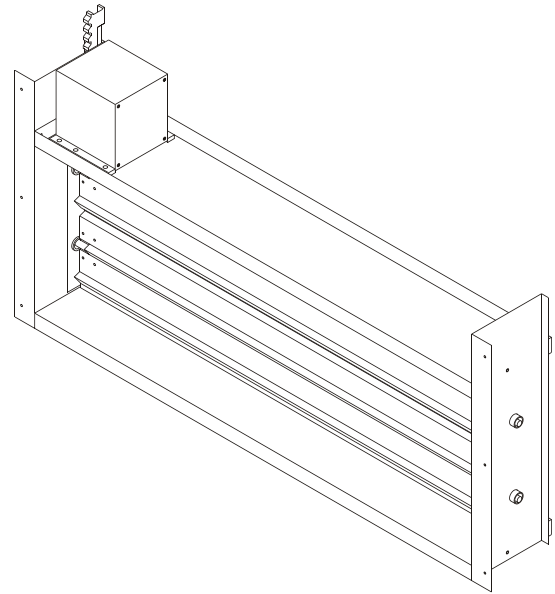


Figure 1

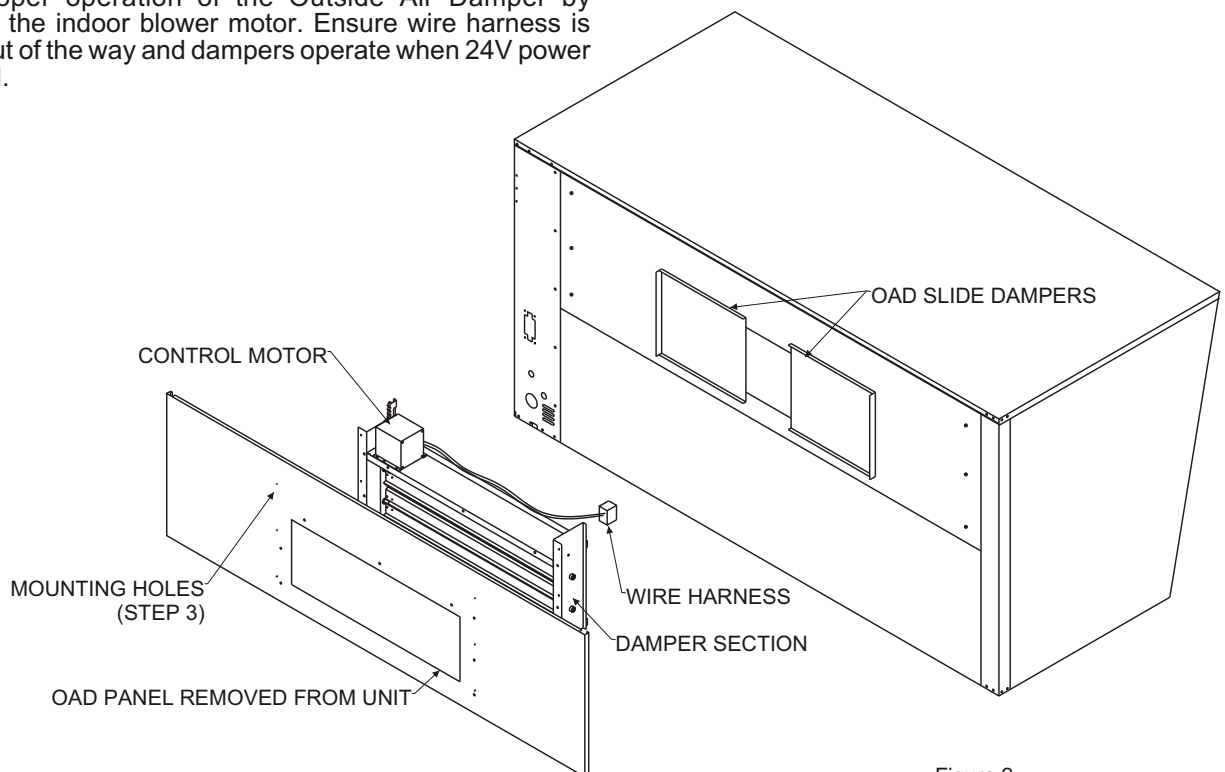


Figure 2

HARNESS DETAIL

E# = WIRE END DESIGNATION

- E2 STUD #6 18 Ga. Wire
- E3 Female ¼ Quick Disc.
- E4 Male ¼ Quick Disc. Insul
- E6 Wire Nut Size 73B

**HARNESS ENDS AT
(P1) FRESH AIR PLUG**

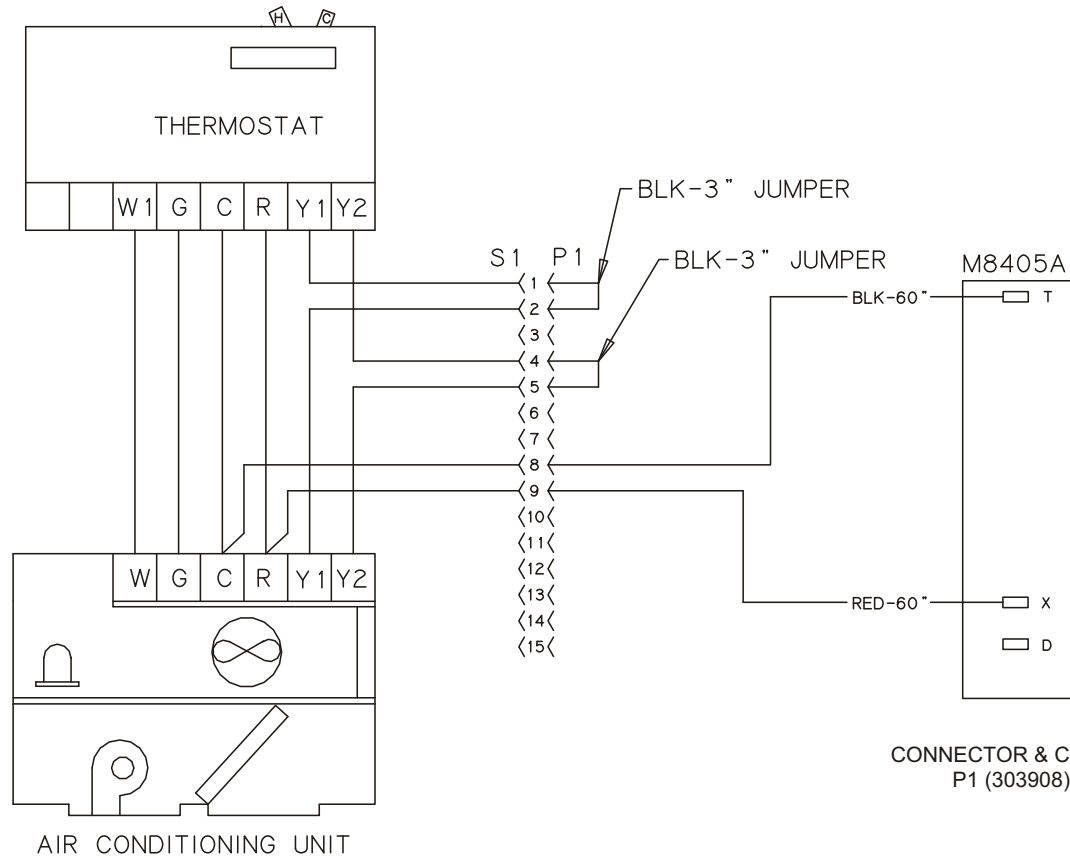
COMPONENT CODE

Economizer

- M8405A Damper Actuator 24V
- P1 OAD Plug
- S1 Unit Economizer Plug

WIRE COLOR CODE

- BLK Black
- RED Red



CONNECTOR & CONTACT CONFIGURATION
P1 (303908) PLUG - (303912) PIN

Notes:

1. Unit wiring shown as reference only. Check unit wiring for actual unit wiring.

**0-35% Motorized Outside Air Damper
for GR4GM 150-180
555633**

Date: August 26, 2008

Supercedes: 09-30-04

Drawn by:

Unit # 47-287-10

Diagram# 28710W