

## Light Commercial

# Installation Instructions

## Manual Fresh Air Panel Kit

### 12.5 and 15 Ton #919275

This manual fresh air panel and hood assembly is specifically designed for use with NORDYNE GR4GM-150 and GR4GM-180 Series units. This panel kit can also be used in conjunction with a separately sold two position (0-30%) motorized damper assembly which operates when blower is energized, NORDYNE Kit # 555633.

### **WARNING!**

**This kit is to be installed by a qualified service technician in accordance with these instructions and all codes having jurisdiction. Failure to follow these instructions could result in serious injury, property damage or death.**

These instructions are primarily intended to assist qualified individuals experienced in the proper installation of this appliance. Some local codes require licensed installation/service personnel for this type of equipment.

Identify all components to the Fresh Air Panel and Hood assembly before proceeding. See Figure 2.

- A - Fresh Air Panel with close-off plates. ( 1 )
- B - Hood Sides ( 2 & 3 )
- C - Hood Top ( 4 )
- D - Filter Brackets ( 5 & 6 )
- E - Filter ( 7 )
- F - Front Cover ( 8 )

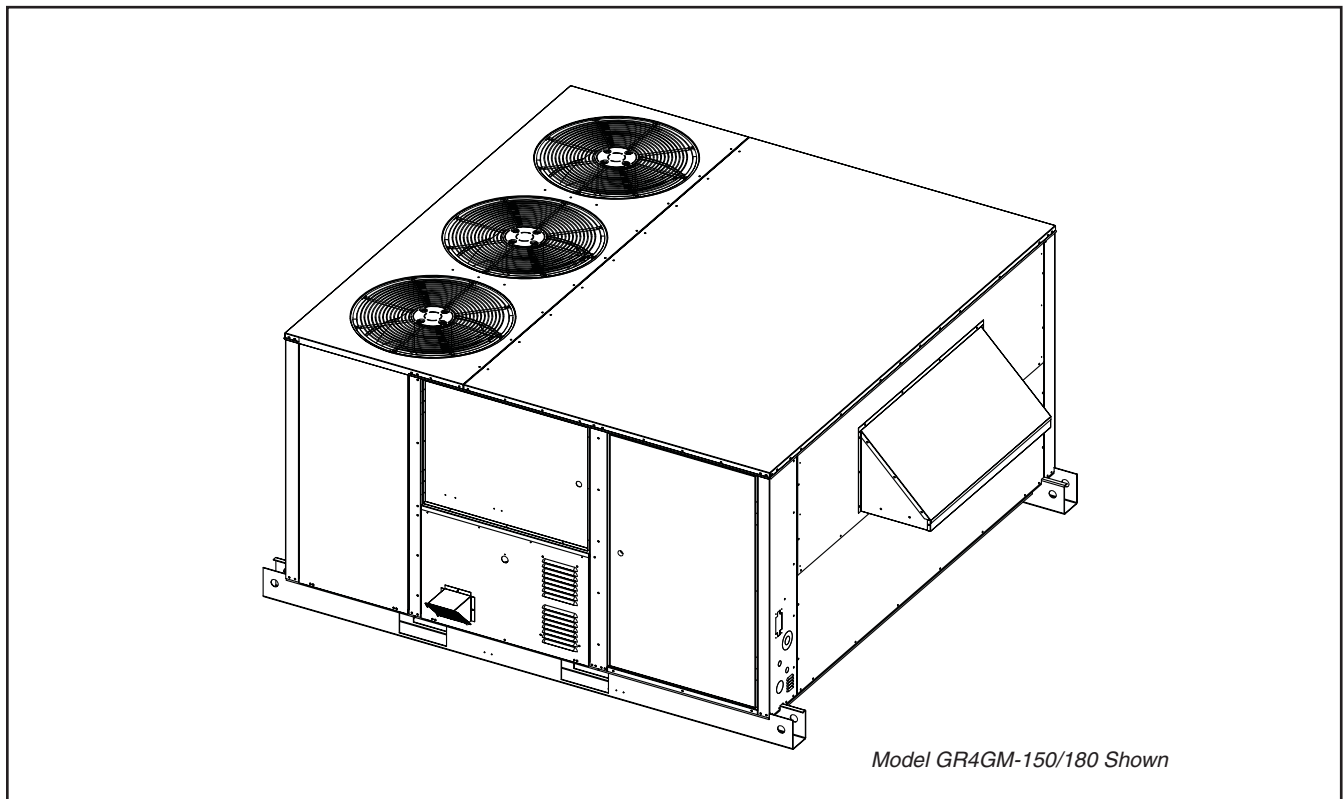


Figure 1.

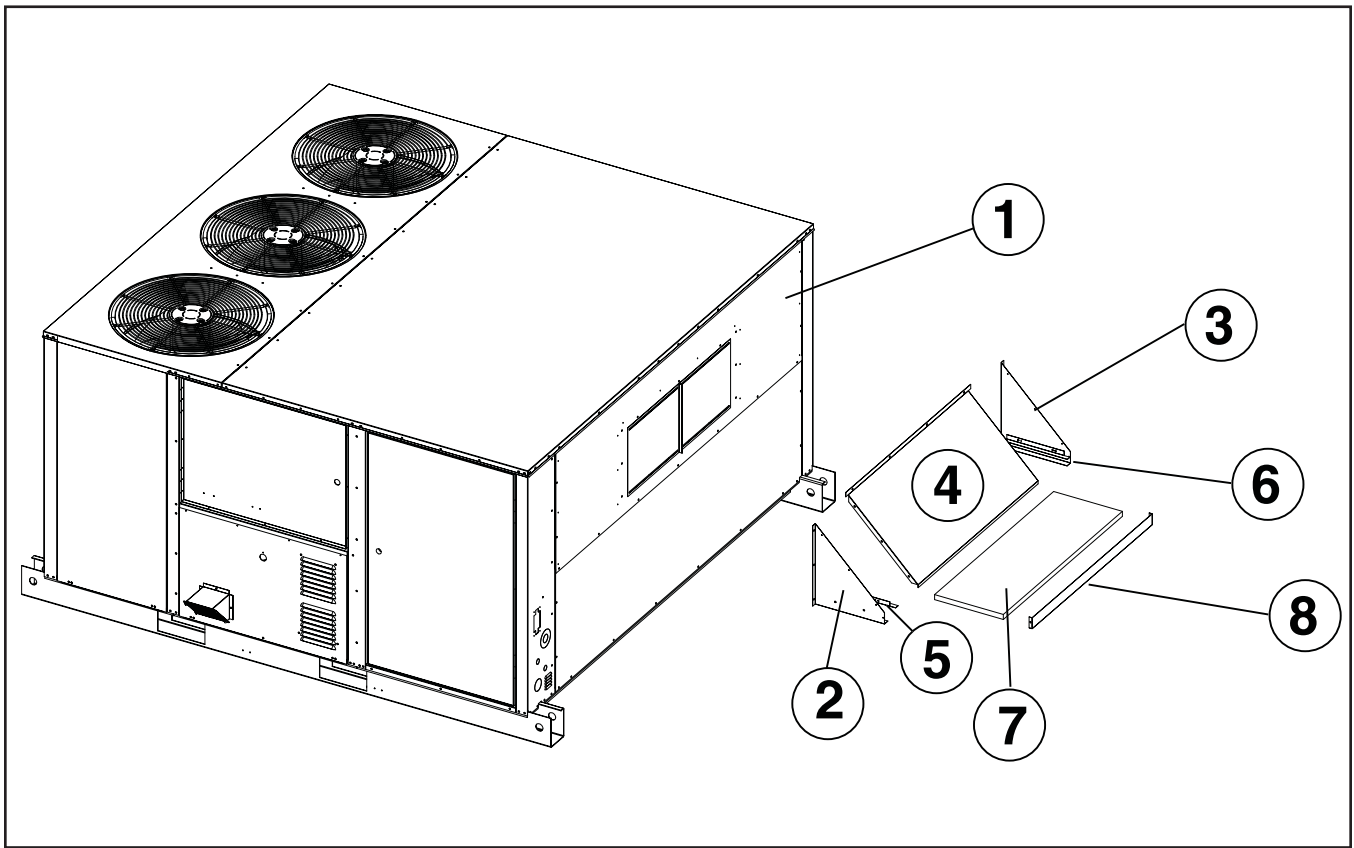


Figure 2.

## Installation

1. **DISCONNECT ALL ELECTRICAL POWER TO THE UNIT.**
2. Remove all screws securing upper factory close off panel. Discard original panel and reuse screws to mount fresh air panel with damper plates (1). See Figure 2.
3. Adjust close-off damper plates to desired opening. (Depending on free air opening required plates may have to overlap.)
4. Assemble hood side panels (2 and 3) to hood top (4) using screws provided. See Figure 2.
5. Attach partial hood assembly to Fresh Air panel using screws provided.
6. Slide filter (7) into bottom track of hood assembly.
7. Slide front cover under top panel lip and secure using screws provided.
8. Restore all Electrical power back to unit.

---

**INSTALLER: PLEASE LEAVE THESE INSTALLATION  
INSTRUCTIONS WITH THE OWNER**

---

