

# REPLACEMENT PARTS LIST

Single Package Gas Heating / Electric Cooling Rooftop Units

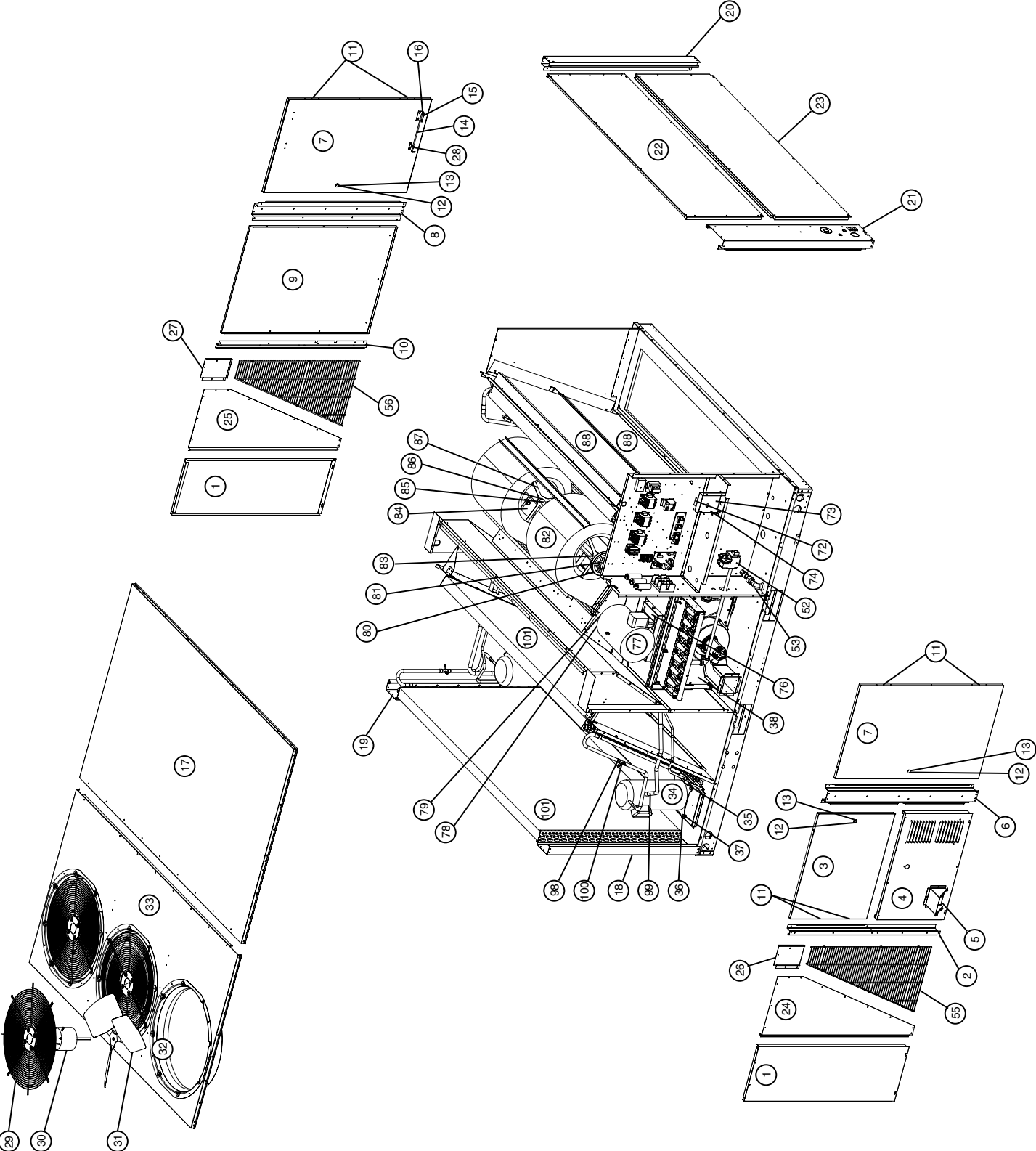
(\*R6GN - 150/180 Series

10.8 EER Models

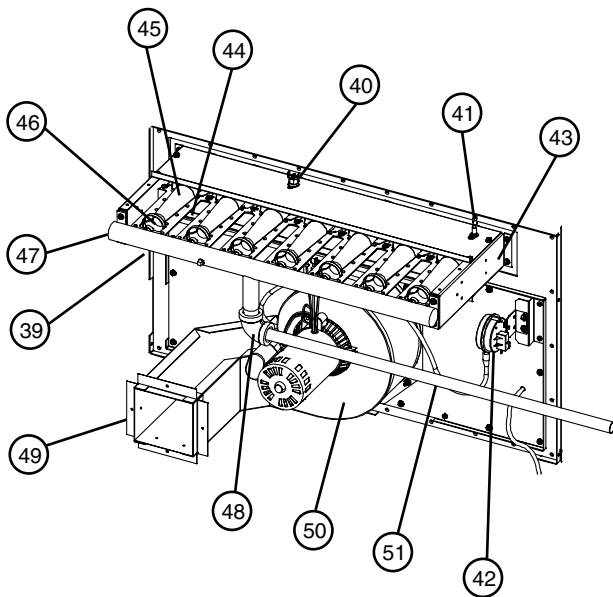
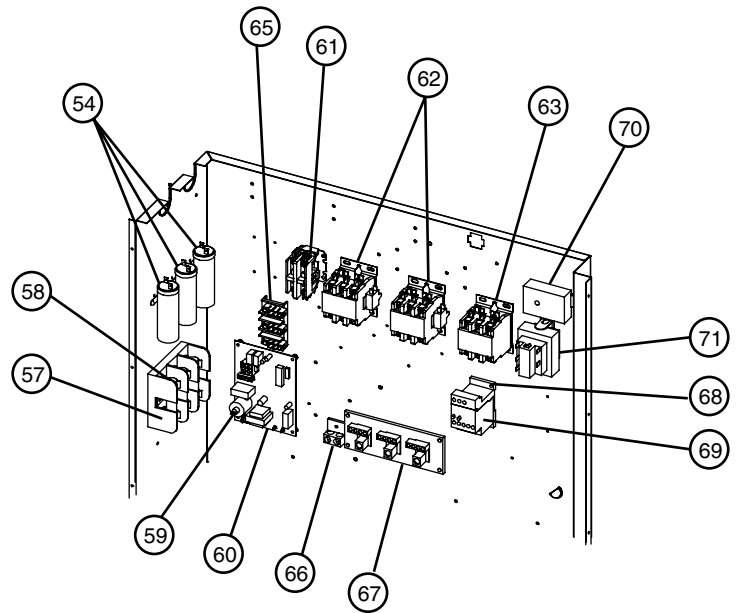
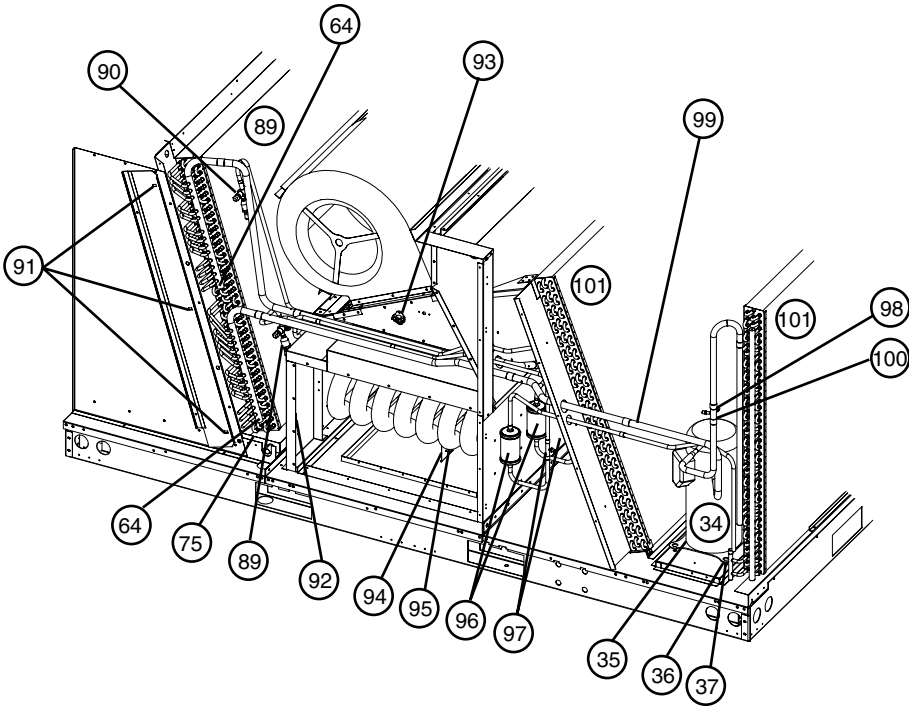


R6GN-150 Series Shown

(\*R6GN Components



(\*)R6GN Components - continued



**(\*R6GN Single Package Gas Heating / Electric Cooling Rooftop Units**

ITEM	DESCRIPTION	(*R6GN-150*XXXC				(*R6GN-180*XXXC			
		920297	920298	920299	920300	920301	920302	920303	920304
		208/230V 3 Ph.	460 V 3 Ph.	208/230V 3 Ph.	460V 3 Ph.	208/230V 3 Ph.	460 V 3 Ph.	208/230V 3 Ph.	460V 3 Ph.
1	Panel, Compressor Access	2A3361R	2A3361R	2A3361R	2A3361R	2A3361R	2A3361R	2A3361R	2A3361R
2	Comp/Blwr Exterior Divider Assembly	M0041632R	M0041632R	M0041632R	M0041632R	M0041632R	M0041632R	M0041632R	M0041632R
3	Panel, Motor Access	280371R	280371R	280371R	280371R	280371R	280371R	280371R	280371R
4	Panel, Burner Access	M0017539R	M0017539R	M0017539R	M0017539R	M0017539R	M0017539R	M0017539R	M0017539R
5	Vent Cover Assembly	M0017514R	M0017514R	M0017514R	M0017514R	M0017514R	M0017514R	M0017514R	M0017514R
6	Panel, Exterior Blower/ Electrical Divider	M0017518R	M0017518R	M0017518R	M0017518R	M0017518R	M0017518R	M0017518R	M0017518R
7	Panel, Service Access	280361R	280361R	280361R	280361R	280361R	280361R	280361R	280361R
8	Panel, Exterior Divider-Left	279941R	279941R	279941R	279941R	279941R	279941R	279941R	279941R
9	Heat Exchanger / Blower Access Panel	M0017509R	M0017509R	M0017509R	M0017509R	M0017509R	M0017509R	M0017509R	M0017509R
10	Compressor/HX Exterior Divider Assembly	M0041633R	M0041633R	M0041633R	M0041633R	M0041633R	M0041633R	M0041633R	M0041633R
11	Hinge, 6" x 1.5" (Stainless Steel) (Not Shown)	669433	669433	669433	669433	669433	669433	669433	669433
12	Door Latch, 1/4 Turn (Slotted) (Not Shown)	618064	618064	618064	618064	618064	618064	618064	618064
13	Cam, 1/4 Turn Door Latch (Not Shown)	618065	618065	618065	618065	618065	618065	618065	618065
14	Door Position Rod	669413	669413	669413	669413	669413	669413	669413	669413
15	Bracket, Door Position	279691	279691	279691	279691	279691	279691	279691	279691
16	Cap, Push On (Not Shown)	606174	606174	606174	606174	606174	606174	606174	606174
17	Pan, Evaporator Top	280351R	280351R	280351R	280351R	280351R	280351R	280351R	280351R
18	Compressor Corner Post- Right	276151R	276151R	276151R	276151R	276151R	276151R	276151R	276151R
19	Compressor Corner Post- Left	276201R	276201R	276201R	276201R	276201R	276201R	276201R	276201R
20	Filter Corner Post	M0017546R	M0017546R	M0017546R	M0017546R	M0017546R	M0017546R	M0017546R	M0017546R
21	Electrical Corner Post with Convenience Outlet Knockout	276381R	276381R	276381R	276381R	276381R	276381R	276381R	276381R
	Electrical Corner Post without Convenience Outlet Knockout	276382R	276382R	276382R	276382R	276382R	276382R	276382R	276382R
22	Panel, Fresh Air Close-Off	M0017553R	M0017553R	M0017553R	M0017553R	M0017553R	M0017553R	M0017553R	M0017553R
23	Return Air Panel Assembly	280402R	280402R	280402R	280402R	280402R	280402R	280402R	280402R
24	Panel, Exterior Condenser, Right	2A3371R	2A3371R	2A3371R	2A3371R	2A3371R	2A3371R	2A3371R	2A3371R
25	Panel, Exterior Condenser, Left	2A3381R	2A3381R	2A3381R	2A3381R	2A3381R	2A3381R	2A3381R	2A3381R
26	Panel, Wire Access, Right	2A6331R	2A6331R	2A6331R	2A6331R	2A6331R	2A6331R	2A6331R	2A6331R
27	Panel, Wire Access, Left	2A6341R	2A6341R	2A6341R	2A6341R	2A6341R	2A6341R	2A6341R	2A6341R
28	Spring Catch	103940001	103940001	103940001	103940001	103940001	103940001	103940001	103940001
29	Grille, Fan, 24" BLACK, 5/16 ROD	669829	669829	669829	669829	669829	669829	669829	669829
30	Motor, Outdoor Fan - 230V, 1/2 HP	621772	-	621772	-	-	-	-	-
	Motor, Outdoor Fan - 460V, 1/2 HP	-	621776	-	621776	-	-	-	-
	Motor, Outdoor Fan - 230V, 1/3 HP	-	-	-	-	622397	-	622397	-
	Motor, Outdoor Fan - 460V, 1/3 HP	-	-	-	-	-	622398	-	622398
31	Fan Blade - 24", 3 Blade, 30 Deg.	667384	667384	667384	667384	-	-	-	-
	Fan Blade - 24", 3 Blade, 25 Deg.	-	-	-	-	667364	667364	667364	667364
32	Orifice, Condenser Fan, 24"	295482	295482	295482	295482	-	-	-	-
	Orifice, Condenser Fan, 24"	-	-	-	-	295481	295481	295481	295481
33	Pan, Condenser Top, 12.5T	2A2971R	2A2971R	2A2971R	2A2971R	-	-	-	-
	Pan, Condenser Top, 15T	-	-	-	-	298581R	298581R	298581R	298581R
34	Compressor, ZP67KCE-TF5-95* (208/230-3-60)	920498	-	920498	-	-	-	-	-
	Compressor, ZP67KCE-TFD-950 (460-3-60)	-	920499	-	920499	-	-	-	-
	Compressor, ZP83KCE-TF5-950 (208/230-3-60)	-	-	-	-	920500	-	920500	-
	Compressor, ZP83KCE-TFD-950 (460-3-60)	-	-	-	-	-	920501	-	920501
35	Crankcase Heater - 230V / 70W (Not Shown)	632345	-	632345	-	632345	-	632345	-
	Crankcase Heater - 460V / 70W (Not Shown)	-	632346	-	632346	-	632346	-	632346
36	Compressor Bolt, 5/16-18x1-1/2" (Not Shown)	600400	600400	600400	600400	600400	600400	600400	600400
37	Compressor Mounting Grommet (Not Shown)	668530	668530	668530	668530	668530	668530	668530	668530

**(\*)R6GN Single Package Gas Heating / Electric Cooling Rooftop Units**

ITEM	DESCRIPTION	(*)R6GN-150*XXXC				(*)R6GN-180*XXXC			
		920297	920298	920299	920300	920301	920302	920303	920304
		208/230V 3 Ph.	460 V 3 Ph.	208/230V 3 Ph.	460V 3 Ph.	208/230V 3 Ph.	460 V 3 Ph.	208/230V 3 Ph.	460V 3 Ph.
38	Complete Heat Exchanger Assy. - 4 tube	663974	663974	-	-	-	-	-	-
	Complete Heat Exchanger Assy. - 6 tube	-	-	663976	663976	663976	663976	-	-
	Complete Heat Exchanger Assy. - 7 tube	-	-	-	-	-	-	663977	663977
39	Spark Ignitor	632437	632437	632437	632437	632437	632437	632437	632437
40	Switch, Limit, Flame Roll Out, 280F Man. Reset	626536	626536	626536	626536	626536	626536	626536	626536
41	Flame Sensor	632438	632438	632438	632438	632438	632438	632438	632438
42	Switch, Air Pressure	632439	632439	632439	632439	632439	632439	632439	632439
43	Complete Burner Box Assy. - 4 tube	661109	661109	-	-	-	-	-	-
	Complete Burner Box Assy. - 6 tube	-	-	661111	661111	661111	661111	-	-
	Complete Burner Box Assy. - 7 tube	-	-	-	-	-	-	661112	661112
44	Bracket, Burner Mounting - 4 Tube	661113	661113	-	-	-	-	-	-
	Bracket, Burner Mounting - 6 Tube	-	-	661115	661115	661115	661115	-	-
	Bracket, Burner Mounting - 7 Tube	-	-	-	-	-	-	661116	661116
45	Inshot Burner,3.25"x6.75" w/ .70" insert	661117	661117	661117	661117	661117	661117	661117	661117
46	Orifice, Main Burner (1/8" DMS) (Nat. Gas 0-2000 Ft.)	661118	661118	661118	661118	661118	661118	661118	661118
47	Manifold Pipe Assy. - 4 Tube	664182	664182	-	-	-	-	-	-
	Manifold Pipe Assy. - 6 Tube	-	-	664184	664184	664184	664184	-	-
	Manifold Pipe Assy. - 7 Tube	-	-	-	-	-	-	664185	664185
48	Elbow, 3/4" FPT X 90 Deg. B.I.	664005	664005	664005	664005	664005	664005	664005	664005
49	Combustion Air Tube Assy.	M0017515R	M0017515R	M0017515R	M0017515R	M0017515R	M0017515R	M0017515R	M0017515R
50	Complete Draft Inducer w/ Housing - 4 Tube	622117	622117	-	-	-	-	-	-
	Complete Draft Inducer w/ Housing - 6 Tube	-	-	622119	622119	622119	622119	-	-
	Complete Draft Inducer w/ Housing - 7 Tube	-	-	-	-	-	-	622120	622120
51	Pipe, 3/4" x 18" SCH.40 B.I.	664172	664172	-	-	-	-	-	-
	Pipe, 3/4" x 25" SCH.40 B.I.	-	-	664004	664004	664004	664004	664004	664004
52	Gas Valve - 2 Stage (Natural)	624695	624695	624695	624695	624695	624695	624695	624695
	Gas Valve - 2 Stage (L.P./High Elev.) Field Conversion Kit	-	-	-	-	-	-	-	-
53	Drain Pipe Assembly	664006	664006	664006	664006	664006	664006	664006	664006
54	Capacitor, Run, 12.5 mfd / 370 Volt	622134	622134	622134	622134	-	-	-	-
	Capacitor, Run, 7.5 mfd / 370 Volt	-	-	-	-	622132	622132	622132	622132
55	Guard, Grille, Right	669789	669789	669789	669789	669789	669789	669789	669789
56	Guard, Grille, Left	669790	669790	669790	669790	669790	669790	669790	669790
57	Fuse Block, 30A / 600V, 3 Pole	632569	632569	632569	632569	632569	632569	632569	632569
58	Fuse, 30A, 600V, TD, Class J	632570	632570	632570	632570	632570	632570	632570	632570
59	Cable, High Voltage Ignition (Not Shown)	632611	632611	632611	632611	632611	632611	632611	632611
60	Spark Ignition Control	624710	624710	624710	624710	624710	624710	624710	624710
61	Contact, Outdoor Fan Motor - 2 Pole 20A	621668	621668	621668	621668	621668	621668	621668	621668
62	Contact, Compressor, 3 Pole 30A w/Aux. Sw.	621832	621832	621832	621832	621832	621832	621832	621832
63	Contact, Indoor Blower Motor, 3 Pole 30A	621667	621667	621667	621667	621667	621667	621667	621667
64	Switch, Limit, Freezestat	626537	626537	626537	626537	626537	626537	626537	626537
65	Terminal Board 3 Pole	632572	632572	632572	632572	632572	632572	632572	632572
66	Dual Ground Lug	632235	632235	632235	632235	632235	632235	632235	632235
67	Terminal Block - High Voltage	632366	632366	632366	632366	632366	632366	632366	632366
68	Overload Relay Adaptor, 3RU1916 Series	622032(#)	622032(#)	622032(#)	622032(#)	-	622032	-	622032
	Overload Relay Adaptor, 3RU1926 Series	-	-	-	-	622083	-	622083	-
69	Relay, Overload, 3 PH, 7.0 - 10.0 Amp	622077(#)	-	622077(#)	-	-	-	-	-
	Relay, Overload, 3 PH, 3.5 - 5.0 Amp	-	622075(#)	-	622075(#)	-	-	-	-
	Relay, Overload, 3 PH, 11.0 - 16.0 Amp	-	-	-	-	622082	-	622082	-
	Relay, Overload, 3 PH, 5.5 - 8.0 Amp	-	-	-	-	-	622031	-	622031

**NOTE:** (#) Overload relays not required on R6GN-150\* models equipped with 3 HP premium efficient motors having internal thermal protection.

**(\*)R6GN Single Package Gas Heating / Electric Cooling Rooftop Units**

ITEM	DESCRIPTION	(*)R6GN-150*XXXC				(*)R6GN-180*XXXC			
		920297	920298	920299	920300	920301	920302	920303	920304
		208/230V 3 Ph.	460 V 3 Ph.	208/230V 3 Ph.	460V 3 Ph.	208/230V 3 Ph.	460 V 3 Ph.	208/230V 3 Ph.	460V 3 Ph.
70	Relay, Blower Time Delay	624711	624711	624711	624711	624711	624711	624711	624711
71	Transformer, Primary - 75VA/24V (240V)	621783	-	621783	-	621783	-	621783	-
	Transformer, Primary - 75VA/24V (460V)	-	621795	-	621795	-	621795	-	621795
72	Transformer, Auto S.D., 460/230V-360VA	-	622078	-	622078	-	622078	-	622078
73	Bracket, Low Voltage Terminal Board	280331	280331	280331	280331	280331	280331	280331	280331
74	Low Voltage Terminal Board, 9 Pin	632414	632414	632414	632414	632414	632414	632414	632414
75	Condensate Drain Pan	669435	669435	669435	669435	669435	669435	669435	669435
76	Motor Mount, Adjustable-184T	667335	667335	667335	667335	667335	667335	667335	667335

**FACTORY LOW STATIC BLOWER DRIVE MODELS  
(See Unit Configuration Label for Proper Identification)**

UNITS PRODUCED WITH ENERGY EFFICIENT MOTORS										
77	Motor, 3 H.P., 208-230/460V, 3 Ph, 60 Hz	622074	622074	622074	622074	-	-	-	-	
	Motor, 5 H.P., 208-230/460V, 3 Ph, 60 Hz	-	-	-	-	622006	622006	622006	622006	
	UNITS PRODUCED WITH PREMIUM EFFICIENT MOTORS FOR NEW NEMA EFFICIENCY REQUIREMENTS. (Motors approved for direct replacement of energy efficient motors)									
	Motor, 3 H.P., Premium Eff. 208-230/460V, 3 Ph, 60 Hz	622392	622392	622392	622392	-	-	-	-	
Motor, 5 H.P., Premium Eff. 208-230/460V, 3 Ph, 60 Hz	-	-	-	-	622393	622393	622393	622393		
78	Sheave, Motor, Adjustable 1VP60 x 1-1/8"	667328	667328	667328	667328	-	-	-	-	
	Sheave, Motor, Adjustable 1VP65 x 1-1/8"	-	-	-	-	667336	667336	667336	667336	
79	Belt, Blower Drive - BX52	669431	669431	669431	669431	669431	669431	669431	669431	
80	Pulley, Blower - BK95H	667329	667329	667329	667329	667329	667329	667329	667329	

**FACTORY HIGH STATIC BLOWER DRIVE MODELS  
(See Unit Configuration Label for Proper Identification)**

UNITS PRODUCED WITH ENERGY EFFICIENT MOTORS										
77	Motor, 5 H.P., Energy Eff., 208-230/460V, 3 Ph, 60 Hz	622006	622006	622006	622006	622006	622006	622006	622006	
	UNITS PRODUCED WITH PREMIUM EFFICIENT MOTORS FOR NEW NEMA EFFICIENCY REQUIREMENTS. (Motors approved for direct replacement of energy efficient motors)									
	Motor, 5 H.P., Premium Eff., 208-230/460V, 3 Ph, 60 Hz	622393	622393	622393	622393	622393	622393	622393	622393	
78	Sheave, Motor, Adjustable 1VP68 x 1-1/8"	667330	667330	667330	667330	667330	667330	667330	667330	
79	Belt, Blower Drive - BX50	669463	669463	669463	669463	669463	669463	669463	669463	
80	Pulley, Blower - BK85H	667337	667337	667337	667337	667337	667337	667337	667337	
81	Bushing, H x 1-3/16" Split Taper	667342	667342	667342	667342	667342	667342	667342	667342	
82	Complete Blower Assy, Twin 12" x 12" (See Items 83 - 87)	667325	667325	667325	667325	667325	667325	667325	667325	

**(\*)R6GN Single Package Gas Heating / Electric Cooling Rooftop Units**

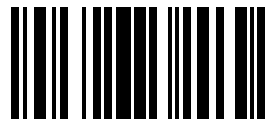
ITEM	DESCRIPTION	(*)R6GN-150*XXXC				(*)R6GN-180*XXXC			
		920297	920298	920299	920300	920301	920302	920303	920304
		208/230V 3 Ph.	460 V 3 Ph.	208/230V 3 Ph.	460V 3 Ph.	208/230V 3 Ph.	460 V 3 Ph.	208/230V 3 Ph.	460V 3 Ph.
<b>INDIVIDUAL BLOWER COMPONENTS (ITEMS 83 - 87)</b>									
83	Bearing, Drive, Pillow Block, 1-3/16" Dia.	667349	667349	667349	667349	667349	667349	667349	667349
84	Wheel, Blower, 12" x 12" x 1-3/16"	667346	667346	667346	667346	667346	667346	667346	667346
85	Shaft, Blower Drive, 1-3/16" Dia.	667347	667347	667347	667347	667347	667347	667347	667347
86	Bearing, Sealed Ball, 1-3/16" Dia.	667348	667348	667348	667348	667348	667348	667348	667348
87	Bearing Bracket, Blower	669481	669481	669481	669481	669481	669481	669481	669481

88	Filter, 16" x 20" x 2", Pleated	668940	668940	668940	668940	668940	668940	668940	668940
89	Coil Assembly, Indoor, 12.5T (Includes TXV's)	M0041644R	M0041644R	M0041644R	M0041644R	-	-	-	-
	Coil Assembly, Indoor, 15T (Includes TXV's)	-	-	-	-	M0041645R	M0041645R	M0041645R	M0041645R
90	TXV Replacement, 12.5T TXV w/ 13 Crkt Distributor	669792R	669792R	669792R	669792R	-	-	-	-
	TXV Replacement, 15.0T TXV w/ 13 Crkt. Distributor	-	-	-	-	669793R	669793R	669793R	669793R
91	Slide Latch	632423	632423	632423	632423	632423	632423	632423	632423
92	Terminal Board, Low Voltage, 3 Pin	632420	632420	632420	632420	632420	632420	632420	632420
93	Switch, Limit - Secondary, 120/100	626535	626535	626535	626535	626535	626535	626535	626535
94	Bracket, Main Air Limit	282361	282361	282361	282361	282361	282361	282361	282361
95	Switch, Limit, Main Air - Primary, 200/160	626534	626534	626534	626534	626534	626534	626534	626534
96	Drier, Liquid Line, 304S	669791	669791	669791	669791	669791	669791	669791	669791
97	Valve, Service, 1/2"	663594	663594	663594	663594	663594	663594	663594	663594
98	Valve, Service, Dual Port, 3/4"	663961	663961	663961	663961	663961	663961	663961	663961
99	Low Pressure Switch Assembly	M0041667	M0041667	M0041667	M0041667	M0041667	M0041667	M0041667	M0041667
100	High Pressure Switch Assembly	M0041666	M0041666	M0041666	M0041666	M0041666	M0041666	M0041666	M0041666
101	Coil Assembly, Outdoor, 12.5T, 2 Row - 40" x 75"	299481R	299481R	299481R	299481R	-	-	-	-
	Coil Assembly, Outdoor, 15.0T, 3 Row - 40" x 75"	-	-	-	-	2A0361R	2A0361R	2A0361R	2A0361R

---

**NORDYNE**  
COMPLETE COMFORT. GENUINE VALUE.

Specifications & illustrations subject to change without notice or incurring obligations.  
O'Fallon, MO | Printed in U.S.A. (02/11)



**708958C** (Replaces 708958B)