

## REPLACEMENT PARTS LIST

### Single Package Heat Pump Q6SD Series 13 SEER, 460V, 3-Phase Models



## IMPORTANT

- This document is primarily intended to assist qualified individuals experienced in the proper repair or servicing of this appliance. Only factory authorized parts or accessory kits may be used with this product. Improper installation, service, adjustment, or maintenance may cause explosion, fire, electrical shock or other hazardous conditions which may result in personal injury or property damage.
- Some local codes require licensed installation / service personnel to service this type of equipment. Under no circumstances should the equipment owner attempt to install parts or service this equipment. Failure to comply with this warning could result in property damage, personal injury, or death.

## Q6SD Series Single Package Heat Pump 13 SEER, 460V, 3-Phase Models

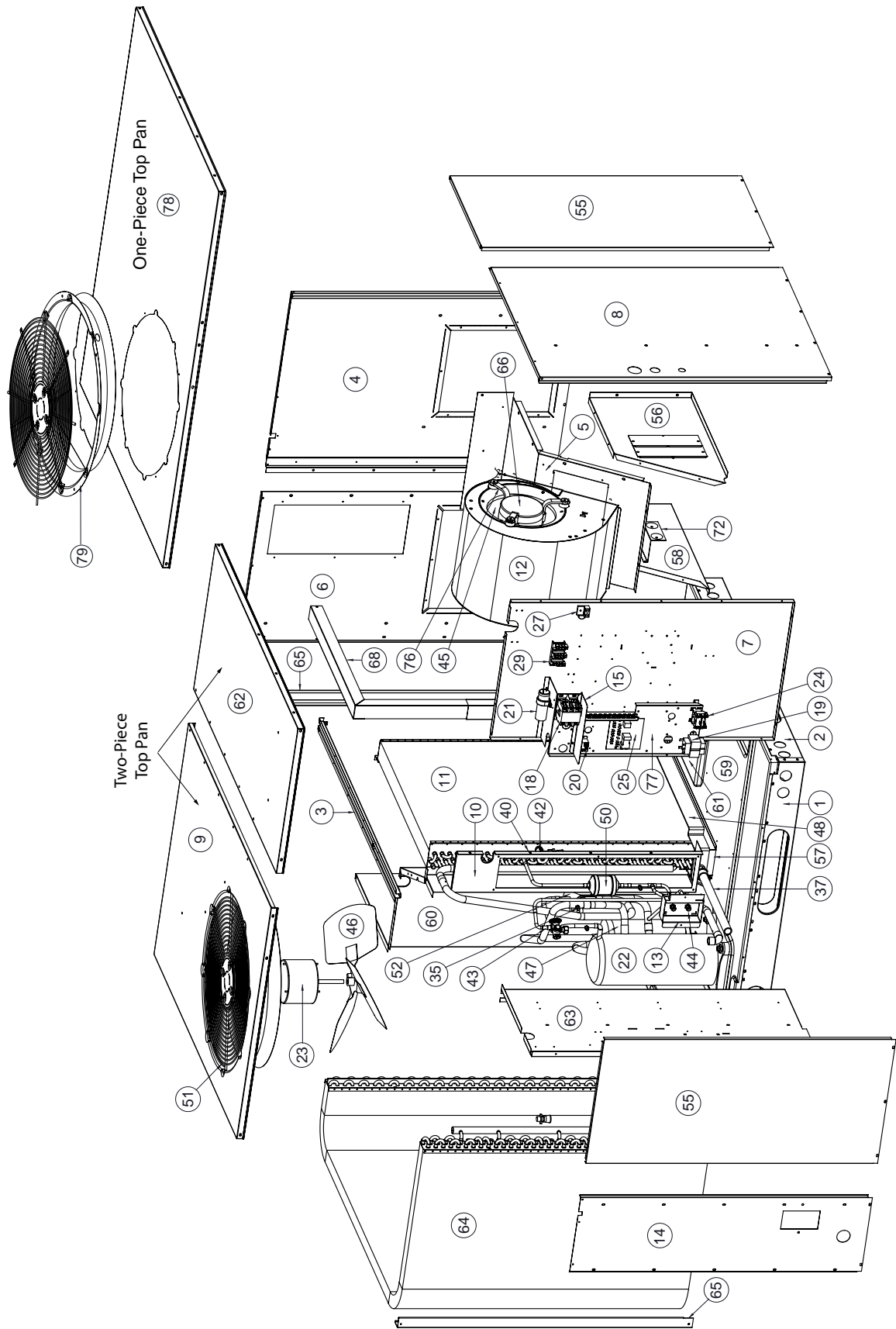
ITEM	DESCRIPTION	Q6SD—X36D	Q6SD—X48D	Q6SD—X60D
		919953	919954	919955
1	RAIL, BASE, SHORT	277551R	277551R	277551R
2	RAIL, BASE, LONG	277552R	277552R	277552R
3	CHANNEL, DRAIN	279722	279722	279722
4	SUPPLY PANEL ASSY.	D05555R	D05556R	D05556R
5	PANEL, BLOWER TRANSITION	283942	283942	283942
6	RETURN PANEL ASSY. W/ACCESS DR	286702R	286701R	286701R
7	CONTROL PANEL ASSY.	292406R	292407R	292407R
8	CORNER PANEL ASSY.	292435	292436	292436
9	INSULATED TOP RIGHT PAN ASSY.	292441R	292441R	292441R
10	ASSY, COVER, HEADER, 34" COIL	293112	—	—
	ASSY, COVER, HEADER, 38" COIL	—	293113	293113
11	INDOOR COIL ASSY., 036	294911R	—	—
	INDOOR COIL ASSY., 048	—	294901R	—
	INDOOR COIL ASSY., 060	—	—	294921R
12	BLOWER HSG ASSY., 9/10X10	297214R	297214R	297214R
13	BRACKET, EXT. SERVICE PORT	298551R	298551R	298551R
14	PANEL, FRONT	298892R	298893R	298893R
15	DIVIDER, LOW VOLTAGE	2A9692	2A9692	2A9692
16	NUT, HEX, 8-32, DBL THICK, BLACK (NOT SHOWN)	606261	606261	606261
17	BRASS NUT, EXT. SERVICE PORT (NOT SHOWN)	618084	618084	618084
18	CONTACTOR, 3 POLE / 30A W/ AUX. SW	621832	621832	621832
19	TRANSFORMER 40VA	621850	621850	621850
20	RELAY, SPDT, NO/NC, 20/10	621931	621931	621931
21	CAPAC, RUN 7.5 / 370-RND-PLST	622132	622132	622132
22	COMP, COPE, ZP31K5E-TFD-130	920137	—	—
	COMP, COPE, ZP42K5E-TFD-130	—	920138	—
	COMP, COPE, ZP54K5E-TFD-130	—	—	920139
23	MTR, FAN, PSC, K, 1/4	622422	622422	—
	MTR, FAN, PSC, X, 1/3	—	—	622421
24	RELAY, BLOWER 240V COIL (NOT SHOWN)	624617	624617	624617
25	BOARD, DEFROST, OPTIONAL DELAY	624656	624656	624656
26	DEFROST SENSOR (NOT SHOWN)	626488	626488	626488
27	DUAL GROUNDING LUG	632235	632235	632235
28	FUSE, 3-AMP (NOT SHOWN)	632261	632261	632261
29	BLOCK, TERMINAL-3 POLE	632348	632348	632348
30	SWITCH, HIGH PRESSURE (NOT SHOWN)	632401	632401	632401
31	HEATER, CRANKCASE (NOT SHOWN)	632576	632576	632576
32	PLUG, MOLDED, HV, TF5, 52" (NOT SHOWN)	634718	634718	634718
33	CORE, CHARGING PORT (NOT SHOWN)	662103	662103	662103
34	DIST, BODY, 4 CIR O.D. (NOT SHOWN)	663581	—	—
	DIST, BODY, 5 CIR O.D. (NOT SHOWN)	—	663582	—
	DIST, BODY, 8 CIR O.D. (NOT SHOWN)	—	—	663586
35	FITTING, ACCESS	663812	663812	663812
36	CAP, SERVICE PORT, BRASS (NOT SHOWN)	663818	663818	663818
37	DRAIN TUBE ASSY.	663833	663833	663833
38	DIST, BODY, 3 CIR I.D. (NOT SHOWN)	663913	—	—
	DIST, BODY, 6 CIR I.D.(NOT SHOWN)	—	664410	664351
39	OUTDOOR RESTRICTOR (.053 ) (NOT SHOWN)	664053	—	—

Please specify Model No., Serial No, and the correct part number(s) when ordering parts from the nearest authorized dealer or service center.

## Q6SD Series Single Package Heat Pump 13 SEER, 460V, 3-Phase Models (Continued)

ITEM	DESCRIPTION	Q6SD—X36D	Q6SD—X48D	Q6SD—X60D
		919953	919954	919955
40	CONNECTOR, SWIVEL	664194	—	—
41	CORE, PORT, HI FLOW, BRASS (NOT SHOWN)	664331	664331	664331
42	VALVE, TXV, EQ, CK, R410A, 3.0T, ID	664343	—	—
	VALVE, TXV, EQ, CK, R410A, 4.0T, ID	—	664345	—
	VALVE, TXV, EQ, CK, R410A, 5.0T, ID	—	—	664347
43	VALVE, TXV, EQ, CK, R410A, 4.0T, OD	—	664346	—
	VALVE, TXV, EQ, CK, R410A, 5.0T, OD	—	—	664348
44	FITTING, PANEL MNT, HI-FLOW, 3/8"	664393	664393	664393
45	WHEEL, BLOWER 10x10	667207	667207	667207
46	FAN, 3BL, 20.0D, 30P, CW, 1/2, 1140	667278	667278	—
	FAN, 4BL, 20.0D, 28P, CW, 1/2, 1140	—	—	667282
47	ACCUM, 5"D, 3/4", 124 IN3	668853	—	—
	ACCUM, 5"D, 7/8", 174 IN3	—	668854	668854
48	PAN, DRAIN R4 / P4 / Q4	669190	669190	669190
49	REPLACEMENT HAIL GUARD KIT (NOT SHOWN)	917206	917206	917206
50	DRIER, FILTER, BIFLOW, 8 IN^3	669379	669379	669379
51	GRILLE, TOP-24" BLACK	669404	669404	669404
52	REVERSING VALVE	669465	—	—
	REVERSING VALVE KIT	—	M0079101R	M0079101R
53	COIL, RV, (NOT SHOWN)	669472	—	—
54	PAINT, STERLING GRAY, TOUCH UP (NOT SHOWN)	903598	903598	903598
55	PANEL, SERVICE	D05112R	—	—
	PANEL, SERVICE	—	D05113R	D05113R
56	PANEL, ELECTRIC HEAT	D05420	D05420	D05420
57	STAND, DRAIN PAN	D05440	D05440	D05440
58	PANEL, BLOWER TRANS SIDE	D05450	D05450	D05450
59	BOTTOM PAN ASSY.	D05480R	D05480R	D05480R
60	DIVIDER PANEL ASSY.	D05502R	D05503R	D05503R
61	DUCT CAP ASSY.	D05530R	D05530R	D05530R
62	TOP PAN ASSYEMBLY - LEFT	293781R	293781R	293781R
63	PANEL, CLOSE-OFF ASSY.	D05685R	D05686R	D05686R
64	COIL, OUTDOOR	D06262R	D06265R	D06266R
65	POST, CORNER	D09996R	D09997R	D09997R
66	MTR, X-13 PROG, Q6, 1/2HP	M0002969R	—	—
	MTR, X-13 PROG, P6, 3/4HP	—	M0023924R	M0023924R
67	SET OF WIRES (NOT SHOWN)	M0038359R	M0038359R	M0038359R
68	FILTER RACK ASSY.	M0021601	M0021601	M0021601
70	LOW PRESSURE SWITCH(NOT SHOWN)	632393	632393	632393
71	COIL SUPPORT (NOT SHOWN)	263394	263394	263395
72	BRACKET, ELECTRIC HEAT	263860	263860	263860
73	DUCT COVER (NOT SHOWN)	284821	284821	284821
74	BRACKET, BLOWER HOUSING (NOT SHOWN)	295771	295771	295771
75	BRACKET, HAIL GUARD, LT (NOW SHOWN)	2A6811	2A6811	2A6811
	BRACKET, HAIL GUARD, RT (NOT SHOWN)	2A6821	2A6821	2A6821
76	MOTOR MOUNTING ARM	668928	668928	668928
77	CONTROL BRACKET	298591	298591	298591
78	ONE-PIECE TOP PAN KIT (ORIFICE INCLUDED)	M0034721	M0034721	M0034721
79	DROP-IN ORIFICE	263210	263210	263210

Please specify Model No., Serial No, and the correct part number(s) when ordering parts from the nearest authorized dealer or service center.



**NORDYNE**  
 COMPLETE COMFORT. GENUINE VALUE.



Specifications & illustrations subject to change without notice or incurring obligations.  
 O' Fallon MO | Printed in U.S.A (07/11)

708986B (Replaces 708986A)