

LP & HIGH ALTITUDE LP CONVERSION KIT FOR INSTALLATIONS IN THE UNITED STATES (0 -10,000 FT)

INSTALLATION INSTRUCTIONS

FOR R6GP LIGHT COMMERCIAL PACKAGE GAS / ELECTRIC UNITS

IMPORTANT: Please read all instructions before converting the furnace. Pay attention to all safety warnings and any other special notes highlighted in the manual. Safety markings are used frequently throughout this manual to designate a degree or level of seriousness and should not be ignored. **WARNING** indicates a potentially hazardous situation that if not avoided, could result in personal injury or death. **CAUTION** indicates a potentially hazardous situation that if not avoided, may result in minor or moderate injury or property damage

This conversion kit is only to be used to convert a natural gas unit to LP/Propane gas or to an LP high altitude application in the United States. This kit may only be used in units installed in altitudes between zero and 10,000 feet above sea level. For installations in Canada, the Canadian conversion instructions must be used.

This conversion kit is backwards compatible with R4GM & R4GN units. Contact NORDYNE Technical Services for more information on these appliances.

Table 1 is a detailed listing of orifices required for converting light commercial units to LP Gas for altitudes between 0 & 10,000 feet. Please check the contents of the conversion kit with that of the parts listing, and familiarize yourself with each component.

DESCRIPTION	QTY
White Rodgers Conversion Kit #F0092-1008 Converts Nordyne Valve - P/N 624695 (36H64-463B1)	1
Honeywell Conversion Kit 50033841 #50033841 Converts Nordyne Valve - P/N 624652 (VR8205 Q2381)	1
Honeywell Conversion Kit 50033841 #50033841 Converts Nordyne Valve P/N - 624787 (VR9205 Q1127)	1
#51 Drill Size Burner Orifice Kit (Contains 7) P/N 661051	1
#52 Drill Size Burner Orifice Kit (Contains 7) P/N 661052	1
#53 Drill Size Burner Orifice Kit (Contains 7) P/N 661053	1
#54 Drill Size Burner Orifice Kit (Contains 5) P/N 661054	1
#55 Drill Size Burner Orifice Kit (Contains 5) P/N 661055	1
Conversion Warning Label - P/N 703935	1
Conversion Information Label - P/N 710005	1
Installation Instructions - P/N 709010	1

Table 1. Conversion Kit Contents

The installer performing this work assumes all responsibility for this conversion. These instructions are primarily intended to assist qualified individuals experienced in the proper installation of these components. Some local codes require licensed installation/service personnel for this type of equipment. Safety should always be the deciding factor when installing this product and using common sense plays an important role as well. Improper installation of the components or failure to follow safety warnings could result in serious injury, death, or property damage. After completing the installation, return these instructions to the Homeowner's Package for owner-user's future reference.

⚠ WARNING:

FIRE OR EXPLOSION HAZARD

- Failure to follow safety warnings exactly could result in serious injury or property damage.
- Installation and service must be performed by a qualified installer, service agency or the gas supplier.
- Do not store or use gasoline or other flammable vapors and liquids in the vicinity of this or any other appliance.

WHAT TO DO IF YOU SMELL GAS

- Do not try to light any appliance.
- Do not touch any electrical switch; do not use any phone in your building.
- Leave the building immediately.
- Immediately call your gas supplier from a neighbor's phone. Follow the gas supplier's instructions.
- If you cannot reach your gas supplier, call the fire department.

DO NOT DESTROY THIS MANUAL. KEEP IN A SAFE PLACE FOR FUTURE REFERENCE.

⚠ AVERTISSEMENT

RISQUE D'INCENDIE OU D'EXPLOSION

- Le non-respect des avertissements de sécurité pourrait entraîner des blessures graves, la mort ou des dommages matériels.
- L'installation et l'entretien doivent être effectués par un installateur qualifié, un organisme de service ou le fournisseur de gazstaller, service agency or the gas supplier.
- Ne pas entreposer ni utiliser de l'essence ni d'autres vapeurs ou liquides inflammables dans le voisinage de cet appareil, ni de tout autre appareil.

QUE FAIRE S'IL Y A UNE ODEUR DE GAZ

- Ne pas tenter d'allumer aucun appareil.
- Ne toucher à aucun interrupteur électrique; n'utiliser aucun téléphone dans le bâtiment.
- Évacuer l'immeuble immédiatement.
- Appeler immédiatement le fournisseur de gaz en employant le téléphone d'un voisin. Respecter à la lettre les instructions du fournisseur de gaz.
- Si personne ne répond, appeler le service des incendies.

⚠ WARNING:

All gas piping must conform with local building codes, or in the absence of local codes, with the most recent edition of CGA B149.1. DO NOT attempt to modify, or tap into existing gas lines yourself. Fire or explosion may result causing property damage, personal injury or loss of life. Failure to follow the safety warnings exactly could result in serious injury, death or property damage.

⚠ WARNING:

All electrical wiring must comply with the latest edition of the Canadian Electrical Code (CSA C22.1 and/or local codes). Failure to follow these instructions could result in possible damage to equipment, serious personal injury, or death.

BEFORE YOU CONVERT THE UNIT

⚠ WARNING:

Shut off the gas supply at the manual gas shutoff valve, before disconnecting the electrical power. A fire or explosion may result causing property damage, personal injury or loss of life. Failure to follow the safety warnings exactly could result in serious injury, death or property damage.

⚠ WARNING:

To avoid electric shock, personal injury, or death, turn off the electric power at the disconnect or the main service panel before making any electrical connections.

1. Set the thermostat to the OFF position, or its lowest temperature setting.
2. Shut OFF the gas supply at the manual shutoff valve located outside of the appliance.
3. Turn off all electrical power to the appliance.
4. Remove the louvered burner access panel.
5. Move the gas valve ON/OFF knob to the OFF position. See Figure 2 (page 6)

REMOVING THE BURNER MANIFOLD

1. **STOP!** Read all the steps in the “Before you Convert the Unit” section above.
2. Disconnect the flame sensor wire at the burner box. See Figure 1 (page 3).
3. Disconnect the spark ignitor wire at the burner box.
4. Remove the white wires from the Stage-1 terminal of the gas valve. Remove the brown wire from the Stage-2 terminal of the gas valve. Remove black common wire from gas valve.
5. Remove (if installed) supply gas piping from the gas valve.
6. Remove 4 fasteners that secure the gas manifold to the burner box. Carefully remove the gas manifold assembly from the burner box.

NOTE: The gas manifold assembly consists of the gas valve, the gas manifold, and the orifices.

7. Identify the gas valve manufacturer listed on the gas valve label. Convert the valve for operation with LP gas as described in the appropriate manufacturers instructions.

**CONVERTING TO LP / PROPANE GAS
(AT ALTITUDES BETWEEN ZERO & 10,000 FT.)**

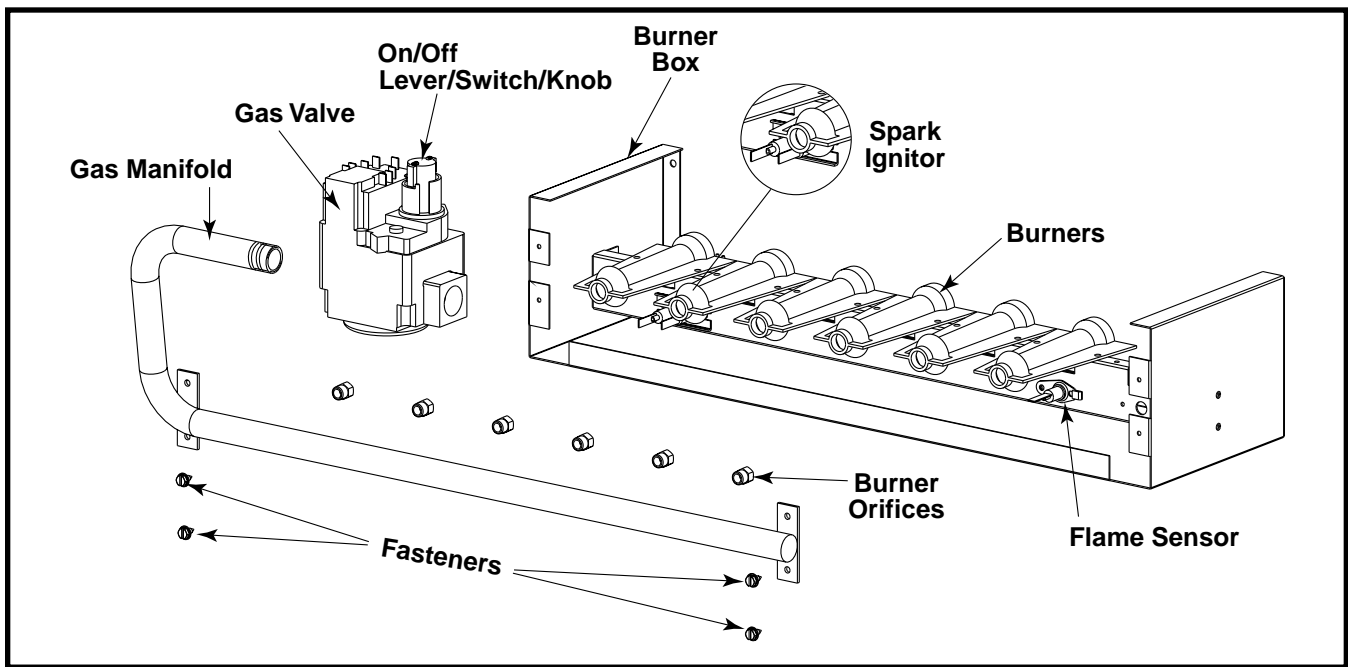
1. Examine the rating plate of the unit to determine Model number and rated input (Btu/hr).
2. Count the number of burners in the burner box. Verify all information in Table 1 to determine the appropriate LP gas orifice size for your application.
3. Install the appropriate LP gas burner orifices into the gas manifold.

⚠ WARNING:

Do not use Teflon tape or pipe joint compound on the orifice threads. The hole in the orifice may become blocked and cause fire, explosion, property damage, carbon monoxide poisoning, personal injury, or death.

IMPORTANT NOTES:

- Before installing an orifice, check the face or side of the orifice for the drill number to ensure that it is the appropriate size.
 - To prevent cross threading, hand tighten the orifices into the gas manifold assembly until snug, then tighten with a wrench 1/2 to 1 turn.
 - For units converted for operation above 2,000 ft., follow the High altitude deration instructions.
4. Reinstall the gas manifold assembly to the burner assembly with the 4 screws, that were removed earlier. **NOTE:** It is important that the center of the orifices are aligned with the center of the burners.
 5. Reconnect the gas piping to the gas valve inlet.
 6. Reconnect the wires to the gas valve terminals.
 7. Reconnect the wires to the flame sensor and spark igniter.



**Figure 1. Typical Burner Box for Light Commercial Units
(R4GM, R4GN, & R6GP Series)**

HIGH ALTITUDE DERATION

High altitude application with this unit depends on the installation altitude and the heating value of the gas. At high altitudes, the heating value of natural gas is always lower than the heating value at sea level.

All installations of this equipment must be made in accordance with the National Fuel Gas Code or with local jurisdiction codes. For installations at altitudes 2,000 feet or below, the installer does not need to derate the heat exchanger performance.

! WARNING:

The reduction of input rating necessary for high altitude installation may only be accomplished with factory supplied orifices. Do not attempt to drill out orifices in the field. Improperly drilled orifices may cause fire, explosion, carbon monoxide poisoning, personal injury or death.

IMPORTANT NOTES:

- For any installation that exceeds 2,000 feet, the input rate must be reduced 4% per 1,000 feet of altitude (Example: 12% at 3,000 feet, 16% at 4,000 feet, etc). Always round up to the next highest value of 1,000. So an installation at 3,120 feet is derated by 16% due to rounding up to 4,000.
- Deration is necessary to compensate for low atmospheric pressure at high altitudes. Generally this will require obtaining the gas heating value from the local gas utility and replacing the burner orifices.

EXAMPLE 1:

Elevation:3,890 feet
Type of Gas:..... Propane Gas
Unit Model: R6GP-090C200C

At 4,000 feet, the unit needs to be derated by 4% for each 1,000 feet of elevation. This equates to 16% or less than the sea level rating of 175,000 Btu/h.

1. Determine unit input rating:
 $[175k \times (100-16)\%] = 147,000 \text{ Btu/h}$. The required heating rate for 3,890 feet is 147,000 Btu/h.
2. Determine orifice size:
 From Table 1 (page 8), find the Unit Model Number. Follow across the row and stop at the 2,001 - 4,000 elevation column. For this example, the orifice size displayed is #52. For units equipped with a White-Rodgers gas valve, install one #52 orifice in every burner and check the firing rate. In this example, the firing rate must not exceed 147,000 Btu/h.

- Table 1 lists the correct orifice size to use at different altitudes. See Installation Example 1 to determine the unit rating and orifice size.
- After changing the orifices, it is required that you measure the gas input rate by clocking the gas meter and using the local gas heating value. See section on Verifying & Adjusting the Firing Rate.

IMPORTANT NOTE: Observe the action of the burners to make sure there is no yellowing, lifting or flashback of the flame.

REINSTALLING THE BURNER MANIFOLD ASSEMBLY:

1. Carefully reinstall the gas manifold assembly to the burner box with the 4 fasteners removed earlier.
2. Inspect the alignment of the burners with the heat exchanger tubes. The center of the burners should be aligned with the center of the tubes.
3. Reconnect the main gas piping to the gas valve.
4. Reconnect wiring to the gas valve terminals. Two White wires to Stage-1 and one Brown wire to Stage-2 and the black common wire to the C terminal.
5. Reconnect the spark ignitor wire to the spark ignitor.
6. Reconnect the flame sensor wire to the flame sensor.

VERIFYING & ADJUSTING FIRING RATE

The firing rate must be verified for each installation to prevent over-firing of the unit.

CAUTION:

Do not re-drill the burner orifices. If the orifice size must be changed, use only new orifices.

IMPORTANT NOTE: The firing rate must not exceed the rate shown on the unit data label. At altitudes above 2,000 ft., it must not exceed that on the data label less 4% for each 1,000 ft. Follow the steps below to determine the unit firing rate:

- For installations at 2,000 feet and less, the firing rate is the same as shown on the unit rating label.
- For installations above 2,000 feet, calculate the correct firing rate as shown in Example 1.
- Table 2 (page 8) lists the correct orifice size to use at different altitudes. See Example 1 to determine the unit rating and orifice size.
- After changing the orifices, it is required that you measure the gas input rate by clocking the gas meter and using the local gas heating value. See Step 6 and Example 2 below.
- Observe the action of the burners. Make sure there is no yellowing, lifting or flashback of the flame.

WARNING:

The reduction of input rating necessary for high altitude installation may only be accomplished with factory supplied orifices. DO NOT attempt to drill out orifices in the field. Improperly drilled orifices may cause fire, explosion, carbon monoxide poisoning, personal injury or death.

1. Obtain the gas heating value from the gas supplier (HHV).
2. Verify that the gas supply line is at the correct supply pressure and that the supply pressure is within the allowable unit limits listed on the unit rating plate.
3. Shut off all other gas fired appliances.
4. Start the unit in heating mode and allow it to run for at least three minutes.

5. Using an in-line flow meter, measure the gas flow rate through the supply line to the unit. Convert the reading into cubic feet per hour. Refer to the meter manufacturer's instructions, or the gas supplier for more information.
6. Multiply the gas flow rate in cubic feet per hour by the heating value of the gas in Btu per cubic foot to obtain the firing rate in Btu per hour. See Example 2 below. **The Manifold pressure must be set to the appropriate value for your installation. Adjustments to the firing rate can be made by adjusting the gas manifold pressure.**

EXAMPLE 2:

- For a high fire flow rate of 68 cu. ft. gas per hour.
- Local heating value of LP gas (obtained from gas supplier) = 2,500 Btu per cu. ft.
- Input rate = 2,500 x 68 = 170,000 Btuh.

PRESSURE GAUGE INSTALLATION

For LP Gas installations: Refer to the unit rating plate to determine the incoming gas maximum and minimum inlet pressures.

IMPORTANT NOTE: If pressure testing the gas supply lines at pressures greater than 1/2 psig (14 inches WC), the unit must be disconnected from the gas supply piping system to prevent damage to the gas valve.

LIGHTING & ADJUSTMENT OF THE APPLIANCE

1. Turn ON the gas at the manual valve, outside of the unit.
2. Check all gas connections for leaks with a soap and water solution. If the solution bubbles, there is a gas leak which must be corrected. **DO NOT use an open flame to check for gas leaks.**
3. Turn ON the electrical power to the appliance.
4. Move the gas valve lever/switch/knob to the ON position. See Figure 2 (page 6). **NOTE:** The lever/knob must be moved to the end of its range of motion to insure the valve is completely open. Use only your hand to push in or turn the gas control valve. Never use tools.
5. Set the room thermostat to a point above room temperature to begin the heating cycle of the unit.
6. Check that the unit ignites and operates properly. Refer to the installation instructions provided with your unit for the normal operating sequence.
7. After the flame ignites, visually inspect the burner assembly to ensure that the flame is drawn directly into the center of the heat exchanger tube. The end of the flame will be out of sight around the bend of the heat exchanger tube. In a properly adjusted burner assembly, the flame color should be blue with some light yellow streaks near the outer portions of the flame.

NOTE: Until all of the air is bled out of the gas line, the spark ignitor may not ignite the gas. If the ignition control locks out, turn the thermostat to its lowest setting and wait one minute then turn the thermostat to a point above room temperature. The ignitor will try again to ignite the main burners. This process may have to be repeated several times before the burners will ignite. After the burners are lit, check all gas connections for leaks again with the soap and water solution. If the solution bubbles, there is a gas leak which must be corrected. Do not use an open flame to check for gas leaks.

CHECKING THE MANIFOLD PRESSURE

The manifold pressure can be measured by installing a pressure gauge or U-tube manometer to the **OUTLET** end of the gas valve as follows:

1. Turn off all electrical power to the appliance.
2. Shut OFF the gas supply at the manual shutoff valve located outside of the appliance.
3. Using a 3/16" Allen wrench, remove the manifold pressure tap plug located on the outlet side of the gas valve. See Figures 2 - 5 (page 6 & 7).
4. Install an 1/8" NPT pipe thread fitting, that is compatible with a Manometer or similar pressure gauge.
5. Connect the Manometer or pressure gauge to the manifold pressure tap.
6. Set the room thermostat above room temperature to start the furnace.
7. Allow the unit to operate for 3 minutes and then check the manifold pressure. For LP gas installations, the manifold pressure should be factory set to 9.5" WC or to 10" WC dependent upon the style of gas valve installed. If the manifold pressure is not set to the appropriate pressure, then it must be adjusted.

ADJUSTING THE MANIFOLD PRESSURE

NOTE 1: Depending on the gas valve manufacturer, the valve may be factory-set for a 9.5" or 10" W.C. manifold setting. Always inspect the unit rating label to determine the correct factory setting. See Table 4 (page 8).

NOTE 2: The unit firing rate should be inspected for each installation as described in these instructions. The manifold pressure may be different than the factory setting. If the determination of the actual unit firing rate cannot be made with quality instruments, then the manifold pressure should be set to the factory setting – as shown on the unit rating label.

Honeywell Gas valve Adjustment (6 - 7 1/2 Ton Units):

1. Remove the protective cap from the top of the High fire gas valve regulator as shown in the manufacturers instructions.
2. Set the manifold pressure to the factory settings, as shown on the unit rating label – or to the correct manifold pressure setting to obtain the correct firing rate.

NOTE: Turn the adjusting screw clockwise to increase pressure or counterclockwise to reduce pressure. To prevent the screw from backing all the way out from the valve, turn the screw slowly.

3. Replace the protective cap over the adjustment screws and tighten.

NOTE: The unit Low firing rate (Stage 1 only) should be approx. 65% of the unit High firing rate. (Stage 1 & 2) See Table 2.

From example 1 (page 3): The furnace high fire rating of 147,000 Btuh reduced for 4,000 ft. elevation, would have a low fire rating of 95,550 Btuh, or 0.65 x 147,000 Btuh.

4. Inspect the unit low firing rate in the same manner described in the instructions for Verifying and Adjusting Firing Rate section (Page 4).
5. Use the same procedure for the High fire adjustment described in steps 1-3 above to adjust the Low fire manifold pressure. If the firing rate cannot be determined, set the low fire manifold pressure to the factory setting as shown on the unit rating label, or refer to table 4.

White Rogers Gas Valve Adjustment (7 1/2 - 10 Ton Units):

1. Remove the protective cap from the top of the High fire gas valve regulator as shown in the manufacturers instructions.
2. Set the manifold pressure to the factory settings, as shown on the unit rating label – or to the correct manifold pressure setting to obtain the correct firing rate.

NOTE: Turn the adjusting screw clockwise to increase pressure or counterclockwise to reduce pressure. To prevent the screw from backing all the way out from the valve, turn the screw slowly.

3. Replace the protective cap over the adjustment screws and tighten.

NOTE: The unit Low firing rate (Stage 1 only) should be approx. 60% of the unit High firing rate. (Stage 1 & 2) See Table 2.

From example 1 (page 3): The furnace high fire rating of 147,000 Btuh reduced for 4,000 ft. elevation, would have a low fire rating of 88,200 Btuh, or 0.60 x 147,000 Btuh.

4. Inspect the unit low firing rate in the same manner described in the instructions for Verifying and Adjusting Firing Rate section (Page 4).
5. Use the same procedure for the High fire adjustment described in steps 1-3 above to adjust the Low fire manifold pressure. If the firing rate cannot be determined, set the low fire manifold pressure to the factory setting as shown on the unit rating label, or refer to table 4.

REMOVING THE PRESSURE GAUGE U-TUBE MANOMETER

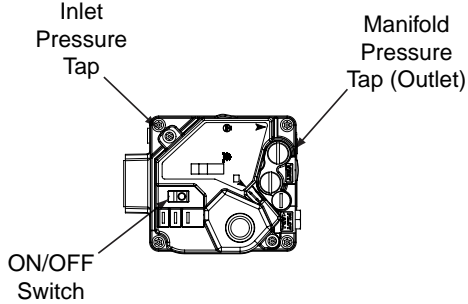
After the manifold pressure has been properly adjusted, the pressure gauge or U-tube manometer must be removed from the gas valve.

1. Turn the thermostat to its lowest setting.
2. Shut OFF the main gas supply to the unit at the manual shut-off valve, located outside of the unit.
3. Shut OFF all electrical supplies to the unit.
4. Remove the manometer adapter from the gas valve and replace it with the 1/8" NPT manifold pressure plug removed earlier. Verify the plug is sealed tightly and not cross threaded.
5. Turn ON all electrical power to the unit.
6. Turn ON the main gas supply to the unit at the manual shut-off valve, located outside of the unit.

COMPLETING THE CONVERSION

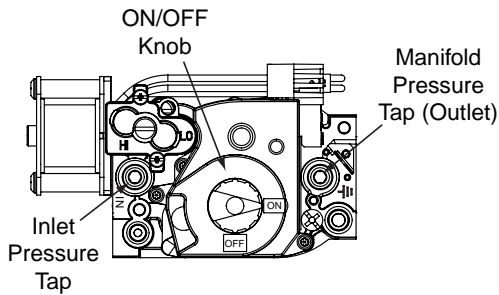
1. For all R6GP / R4GN / R4GM conversions to LP gas, affix the conversion warning label (#703935) provided in the kit to the outside of the units louvered burner access panel. Next, affix the conversion information label (#710005) over the Natural Gas warning label. Each label shall be prominent and visible after installation.
2. Affix the gas valve manufactures labels to the valve as described in the manufactures instructions.
3. Replace the unit's louvered burner access panel.
4. Run the appliance through a complete cycle to assure proper operation

2-STAGE WHITE ROGERS VALVE

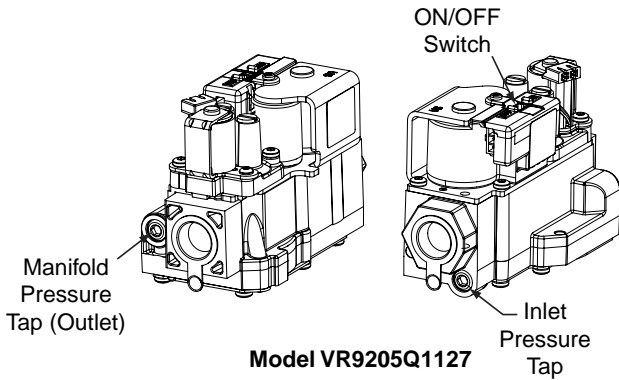


Model 36H64

2-STAGE HONEYWELL VALVES



Model VR8205Q2381



Model VR9205Q1127

Figure 2. Inlet & Manifold Pressure Tap Locations

2 - Stage White Rogers Valve

Model 36H64

P/N - 624695

IMPORTANT NOTE: When converting to LP/ Propane gas from natural gas, both springs from the gas valve must be replaced by the white springs included in the kit. The LP Propane springs for HIGH and LOW fire are the same size, shape, and color.

1. Remove both regulator cover screws. See Figure 3.
2. Remove both regulator adjustment screws from the gas valve (located beneath the cover screws).
3. Remove both Natural Gas regulator springs (color coded silver / Plain) from the regulator sleeves.
4. Install both L.P. regulator springs (provided in the conversion kit and color coded white) into the regulator sleeves.
5. Replace the HIGH regulator adjustment screw and adjust approximately 12 turns to the bottom stop.
6. Relace the LOW regulator adjustment screw and adjust approximately 8 turns.
7. Check and adjust both regulator settings (High and Low fire) to the firing rates listed in Table 1 for factory settings below 2,000 ft elevation or for reduced firing rates based on final high altitude calculations

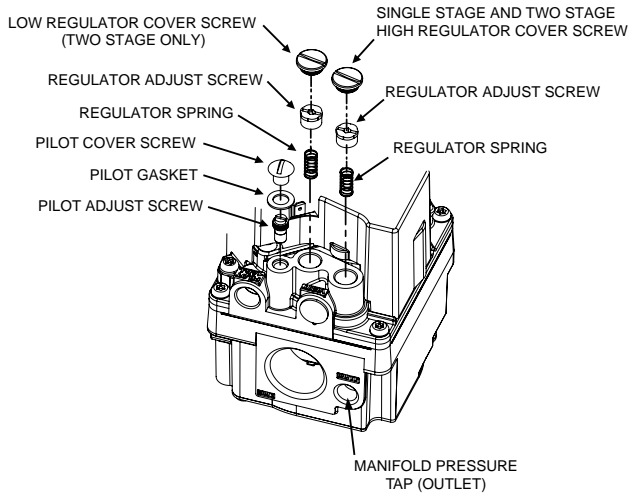


Figure 3. Regulator Spring & Adjustment Screw Removal

2 - Stage Honeywell Valves

Model VR8205Q2381

P/N - 624652

IMPORTANT NOTE: When converting to LP/Propane gas from natural gas, the white stem/spring assembly in the gas valve must be replaced by the black stem/spring assembly in the kit.

1. Remove two screws (1) securing the pressure regulator cover assembly (2) to the gas valve. See Figure 4.
2. Remove the pressure regulator cover assembly (2) from the gas valve.
3. Remove and discard the existing stem/spring assembly (3) from the gas valve.
4. Install the replacement stem/spring assembly (3) from the conversion kit.
5. Reinstall the pressure regulator cover assembly (2) onto the gas valve.
6. Install the two screws (1) and tighten.
7. Affix the label from the conversion kit to the gas valve

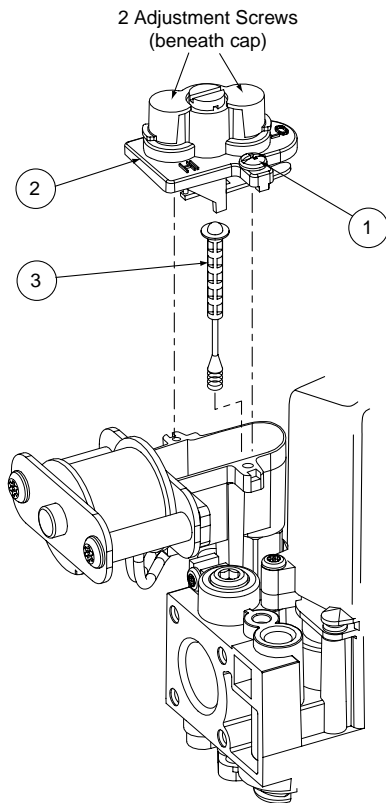


Figure 4. Spring / Stem Assembly Removal

Model VR9205Q1127

P/N - 624787

IMPORTANT NOTES:

- When converting to LP/Propane gas from natural gas, the springs from gas valve must be replaced by the larger springs from the kit. The LP/Propane springs for both HIGH & LOW fire are the same size, shape and color.
- Use only a Torx-25 or 3/16" flathead screwdriver when removing adjustment screws or during pressure adjustment.

1. Remove the HIGH fire cap screw. See Figure 5.
2. Remove and discard the HIGH fire adjustment screw from the gas valve.
3. Remove the spring from the gas valve and discard.
4. Install a larger spring from the conversion kit.
5. Install a new adjusting screw from the kit.

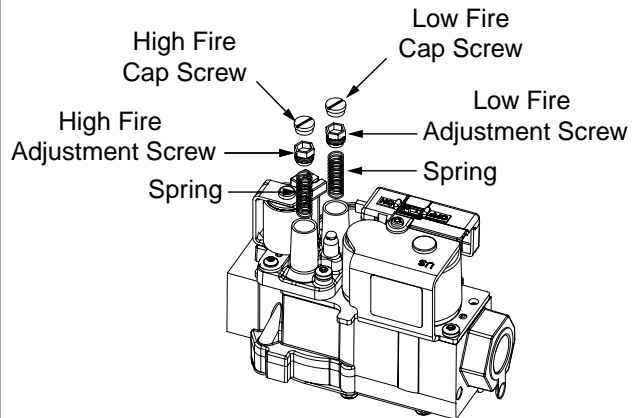


Figure 5. Pressure Regulator Spring & Adjustment Screw Removal

6. Repeat steps 1 - 5 for replacement of the LOW fire spring and adjustment screw.
7. Check and adjust the regulator setting. See Gas Pressure Adjustment Section.
8. Reinstall the cap screws on the HIGH and LOW regulators. Plastic replacement cap screws are provided in the conversion kit.
9. Affix the label from the conversion kit to the gas valve.

Unit Model Number	Gas Type	Number of Burners	Gas Valve Manufacturer	Heating Input (Btuh)*		Orifice Size for Increased Elevation (Above Sea Level)				
				High Fire	Low Fire	0 to 2,000 Ft	2,001 to 4,000 Ft	4,001 to 6,000 Ft	6,001 to 8,000 Ft	8,001 to 10,000 Ft
R6GP-072*-100C	L.P.	3	Honeywell	85,000	55,250	53	54	54	55	55
R6GP-072*-166C	L.P.	5	Honeywell	141,000	91,650	53	54	54	55	55
R6GP-090*-200C	L.P.	6	Honeywell	175,000	113,750	53	54	54	55	55
			White Rodgers		105,000	51	52	52	52	53
R6GP-120*-235C	L.P.	7	White Rodgers	205,000	123,000	51	52	52	52	53

* Refer to Instructions for High Altitude Deration to determine heat-exchanger capacity at increased elevations.

Table 2. Orifice or Drill Size for Propane (LP) Gases

MODEL	GAS TYPE	HEATING INPUT	HEATING OUTPUT	HEATING RISE RANGE (°F)	CFM RANGE						
					1,950	2,100	2,250	2,400	2,550	2,700	SCFM
R6GP-072*-100C	Propane	85,000	68,000	15 - 45	32	30	28	26	25	23	RISE (°F)
					1,950	2,100	2,250	2,400	2,550	2,700	SCFM
R6GP-072*-166C	Propane	141,000	112,800	35 - 65	54	50	46	44	41	39	RISE (°F)
					1,950	2,100	2,250	2,400	2,550	2,700	SCFM
R6GP-090*-200C	Propane	175,000	140,000	30 - 60	52	48	45	42	40	38	RISE (°F)
					2,425	2,625	2,800	3,000	3,188	3,375	SCFM
R6GP-120*-235C	Propane	205,000	164,000	25 - 55	47	43	40	38	36	34	RISE (°F)
					3,250	3,500	3,750	4,000	4,250	4,500	SCFM

* At elevations of 2,000 feet or less.

Table 3. Heating Rise / Range

Unit Model Number	Gas Valve Manufacturer	Gas Valve Model No.	Maximum Inlet Pres. †	Minimum Inlet Pres. †	Factory Set, Manifold Pres. † High Fire	Factory Set, Manifold Pres. † Low Fire
R6GP-072*-100C	Honeywell	VR8205Q	14.0 (3.49)	11.0 (2.74)	10.0 (2.49)	4.0 (1.0)
R6GP-072*-166C	Honeywell	VR8205Q	14.0 (3.49)	11.0 (2.74)	10.0 (2.49)	4.0 (1.0)
R6GP-090*-200C	Honeywell	VR8205Q	14.0 (3.49)	11.0 (2.74)	10.0 (2.49)	4.0 (1.0)
R6GP-090*-200C	White Rodgers	36H64	14.0 (3.49)	11.0 (2.74)	9.5 (2.37)	5.0 (1.24)
R6GP-120*-235C	White Rodgers	36H64	14.0 (3.49)	11.0 (2.74)	9.5 (2.37)	5.0 (1.24)

† All Pressure values are expressed in: in-WC (kPa)

Table 4. Unit / Valve data - LP gas only

NORDYNE
COMPLETE COMFORT. GENUINE VALUE.



Specifications & illustrations subject to change without notice or incurring obligations.
O' Fallon, MO | Printed in U.S.A. (09/12)

709010A (Replaces 7090100)