

REPLACEMENT PARTS LIST

Single Package Heat Pump
Q6SD Series
13 SEER, 208V, 3 Phase Models



IMPORTANT

- This document is primarily intended to assist qualified individuals experienced in the proper repair or servicing of this appliance. Only factory authorized parts or accessory kits may be used with this product. Improper installation, service, adjustment, or maintenance may cause explosion, fire, electrical shock or other hazardous conditions which may result in personal injury or property damage.
- Some local codes require licensed installation / service personnel to service this type of equipment. Under no circumstances should the equipment owner attempt to install parts or service this equipment. Failure to comply with this warning could result in property damage, personal injury, or death.

Q6SD Series Single Package Heat Pump 13 SEER, 208V, 3 Phase Models

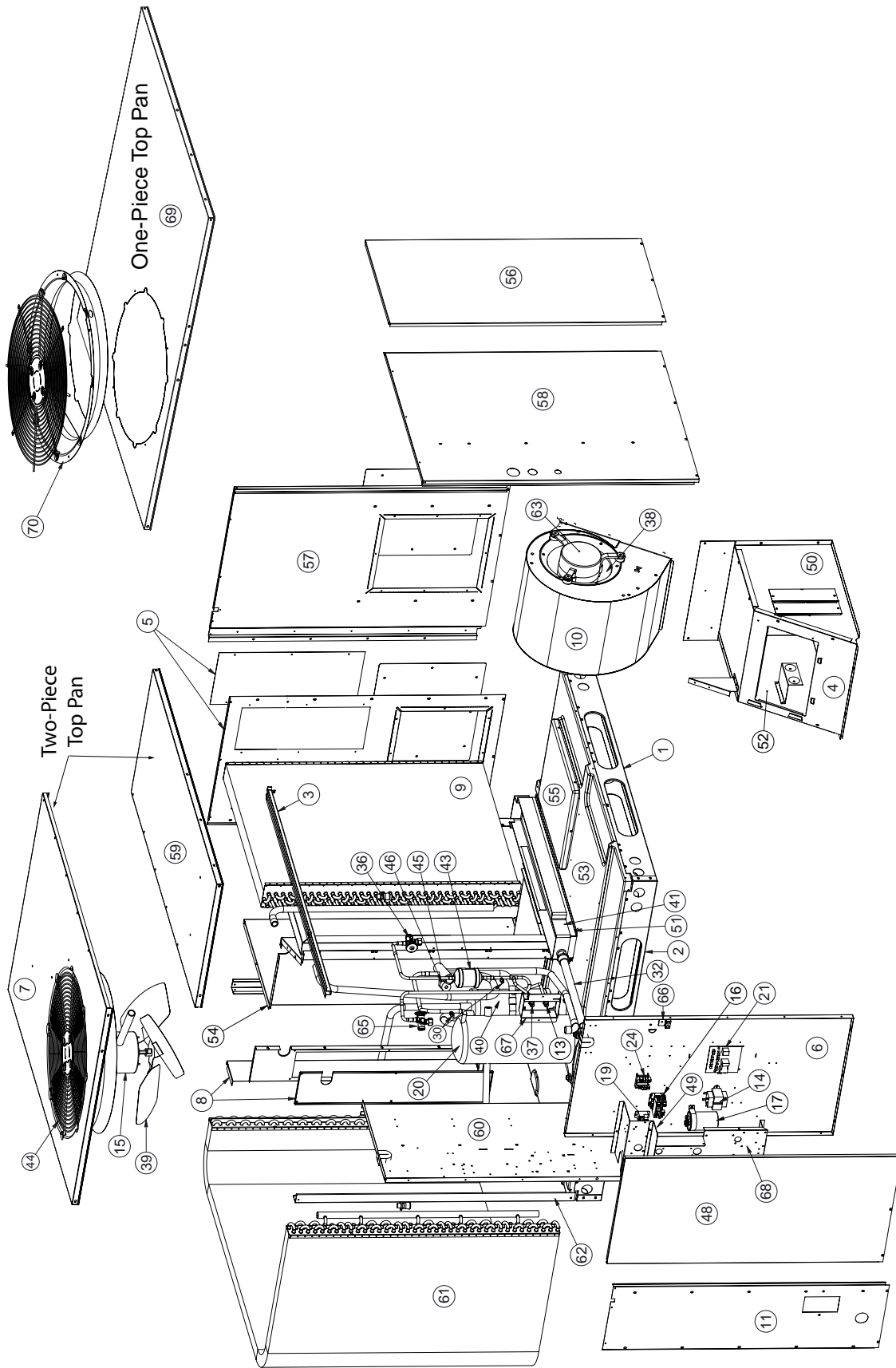
ITEM	DESCRIPTION	Q6SD-X36C	Q6SD-X48C	Q6SD-X60C
		919950	919951	919952
1	RAIL,BASE,47.23"LG	277551	277551	277551
2	RAIL,BASE,55.63"LG	277552	277552	277552
3	CHANNEL,DRAIN	279722R	279722R	279722R
4	PANEL,BLOWER TRANSITION	283942	283942	283942
5	RETURN PANEL ASSEMBLY W/ACCESS DR	286702R	286702R	286701R
6	CONTROL PANEL ASSEMBLY	M0038370	M0038371	M0038371
7	INSULATED TOP RIGHT PAN ASSEMBLY	292441R	292441R	292441R
8	ASSY,COVER,HEADER,34" COIL	293114	—	—
	ASSY,COVER,HEADER,38" COIL	—	M0034214	M0034214
9	INDOOR COIL ASSEMBLY,036	283091R	—	—
	INDOOR COIL ASSEMBLY, 048	—	D06255R	—
	INDOOR COIL ASSEMBLY, 060	—	—	D06256R
10	BLOWER HSG ASSEMBLY,9/10X10	297214R	297214R	297214R
11	PANEL,FRONT,R6/P6/Q6	298892R	298893R	298893R
12	NUT,HEX,8-32,DBL THICK,BLACK(NOT SHOWN)	606261	606261	606261
13	BRASS NUT, EXT. SERVICE PORT	618084	618084	618084
14	TRANSFORMER 40 VA	621709	621709	621709
15	MTR,FAN,PSC,1/4 HP	621721	621721	—
	MTR,FAN,PSC,1/3 HP	—	—	621740
16	CONTACTOR,3 POLE/30A W/AUX. SW	621832	621832	621832
17	CAPAC,RUN 7.5/370-RND-PLST	622132	622132	622132
18	DISTRIBUTOR,3CIR,ID(NOT SHOWN)	663913	—	—
	DISTRIBUTOR,6CIR,ID(NOT SHOWN)	—	664410	—
	DISTRIBUTOR,8CIR,ID(NOT SHOWN)	—	—	663586
19	RELAY,BLOWER,240V COIL	622180	622180	622180
20	COMPRESSOR, ZP31K5E-TF5	919609	—	—
	COMPRESSOR, ZP42K5E-TF5	—	919610	—
	COMPRESSOR, ZP54K5E-TF5	—	—	919611
21	BOARD,DFRST,OPTIONAL DELAY	624656	624656	624656
22	DFRST SENSOR(NOT SHOWN)	626488	626488	626488
23	FUSE,3-AMP(NOT SHOWN)	632261	632261	632261
24	BLOCK, TERMINAL-3 POLE	632348	632348	632348
25	SWITCH,HIGH PRESSURE(NOT SHOWN)	632401	632401	632401
26	HEATER,CRANKCASE,240V/40W,60"(NOT SHOWN)	632509	632509	632509
27	PLUG,MOLDED,HV,3PH,48"(NOT SHOWN)	634718	634718	634718
28	CORE,CHARGING PORT(NOT SHOWN)	662103	662103	662103
29	DISTRIBUTOR,4CIR,OD(NOT SHOWN)	663581	—	—
	DISTRIBUTOR,5CIR,OD(NOT SHOWN)	—	663582	—
	DISTRIBUTOR,6CIR,OD(NOT SHOWN)	—	—	664351
30	FITTING, ACCESS	663812	663812	663812
31	CAP, SERVICE PORT, BRASS(NOT SHOWN)	663818	663818	663818
32	DRAIN TUBE ASSEMBLY	663833	663833	663833
33	RESTRICTOR OD. (.053)(NOT SHOWN)	664053	—	—
34	CONNECTOR, SWIVEL(NOT SHOWN)	664194	—	—

Please specify Model No., Serial No, and the correct part number(s) when ordering parts from the nearest authorized dealer or service center.

Q6SD Series Single Package Heat Pump 13 SEER, 208V, 3 Phase Models (Continued)

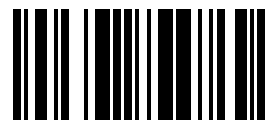
ITEM	DESCRIPTION	Q6SD-X36C	Q6SD-X48C	Q6SD-X60C
		919950	919951	919952
35	CORE,PORT,HI FLOW,BRASS(NOT SHOWN)	664331	664331	664331
36	VALVE, TXV,EQ,CK,R410A,3.0T,ID	664343	—	—
	VALVE, TXV,EQ,CK,R410A,4.0T,ID	—	664345	—
	VALVE, TXV,EQ,CK,R410A,5.0T,ID	—	—	664347
37	FITTING,PANEL MNT,HI-FLOW,3/8"	664393	664393	664393
38	WHEEL,BLOWER 10 X 10	667207	667207	667207
39	FAN,3BL,20.0D,30P,CW,1/2,1140	997207	997207	—
	FAN,4BL,20.0D,28P,CW,1/2,1140	—	—	667282
40	ACCUM,5"D,3/4",124 IN3	668853	—	—
	ACCUM,5"D,7/8",174 IN3	—	668854	668854
41	PAN,DRAIN	669190	669190	669190
42	REPLACEMENT HAIL GUARD KIT(NOT SHOWN)	921213	921213	921213
43	DRIER,FILTER,BIFLOW,8 IN^3	669762	669762	669762
44	GRILLE, TOP-24"BLACK	669404	669404	669404
45	REVERSING VALVE	669465	—	—
	REVERSING VALVE KIT	—	M0079101R	M0079101R
46	COIL,RV,24V,84"	669472	669472	669472
47	PAINT, TOUCH UP, STERLING GREY(NOT SHOWN)	903598	903598	903598
48	PANEL,SERVICE	D05112R	D05113R	D05113R
49	DIVIDER,LOW VOLTAGE	2A9692	2A9692	2A9692
50	PANEL,ELECTRIC HEAT	D05420	D05420	D05420
51	STAND,DRAIN PAN	D05440	D05440	D05440
52	PANEL,BLOWER TRANS SIDE	D05450	D05450	D05450
53	BOTTOM PAN ASSEMBLY	D05480R	D05480R	D05480R
54	DIVIDER PANEL ASSEMBLY	D05502R	D05503R	D05503R
55	DUCT CAP ASSEMBLY	D05530R	D05530R	D05530R
56	BLOWER PANEL ASSEMBLY	D05542R	D05543R	D05543R
57	SUPPLY PANEL ASSEMBLY	D05555R	D05556R	D05556R
58	CORNER PANEL ASSEMBLY	D05625R	D05626R	D05626R
59	TOP PAN ASSY.-LEFT	293781R	293781R	293781R
60	PANEL,CLOSE-OFF ASSEMBLY	D05685R	D05686R	D05686R
61	COIL,OUTDOOR	D06262R	D06265R	D06266R
62	POST,CORNER,35.09L	D09996R	—	—
	POST,CORNER,39.09L	—	D09997R	D09997R
63	MTR,X-13 PROG,1/2 HP	M0002944R	—	—
	MTR,X-13 PROG,3/4 HP	—	M0023903R	M0023903R
64	SET OF WIRES(NOT SHOWN)	M0033305R	M0033305R	M0033305R
65	VALVE, TXV,EQ,CK,R410A,4.0T,OD	—	664346	—
	VALVE, TXV,EQ,CK,R410A,5.0T,OD	—	—	664348
66	DUAL GROUNDING LUG	632235	632235	632235
67	BRACKET,EXT. SERVICE PORT	298551	298551	298551
68	CONTROL BRACKET	298591	298591	298591
69	ONE-PIECE TOP PAN KIT (ORIFICE INCLUDED)	M0034721	M0034721	M0034721
70	DROP-IN ORIFICE	263210	263210	263210

Please specify Model No., Serial No, and the correct part number(s) when ordering parts from the nearest authorized dealer or service center.



NORDYNE
 COMPLETE COMFORT. GENUINE VALUE.

Specifications & illustrations subject to change without notice or incurring obligations.
 O' Fallon, MO | Printed in U.S.A. (07/11)



709182B (Replaces 709182A)