

# WIRING DIAGRAM

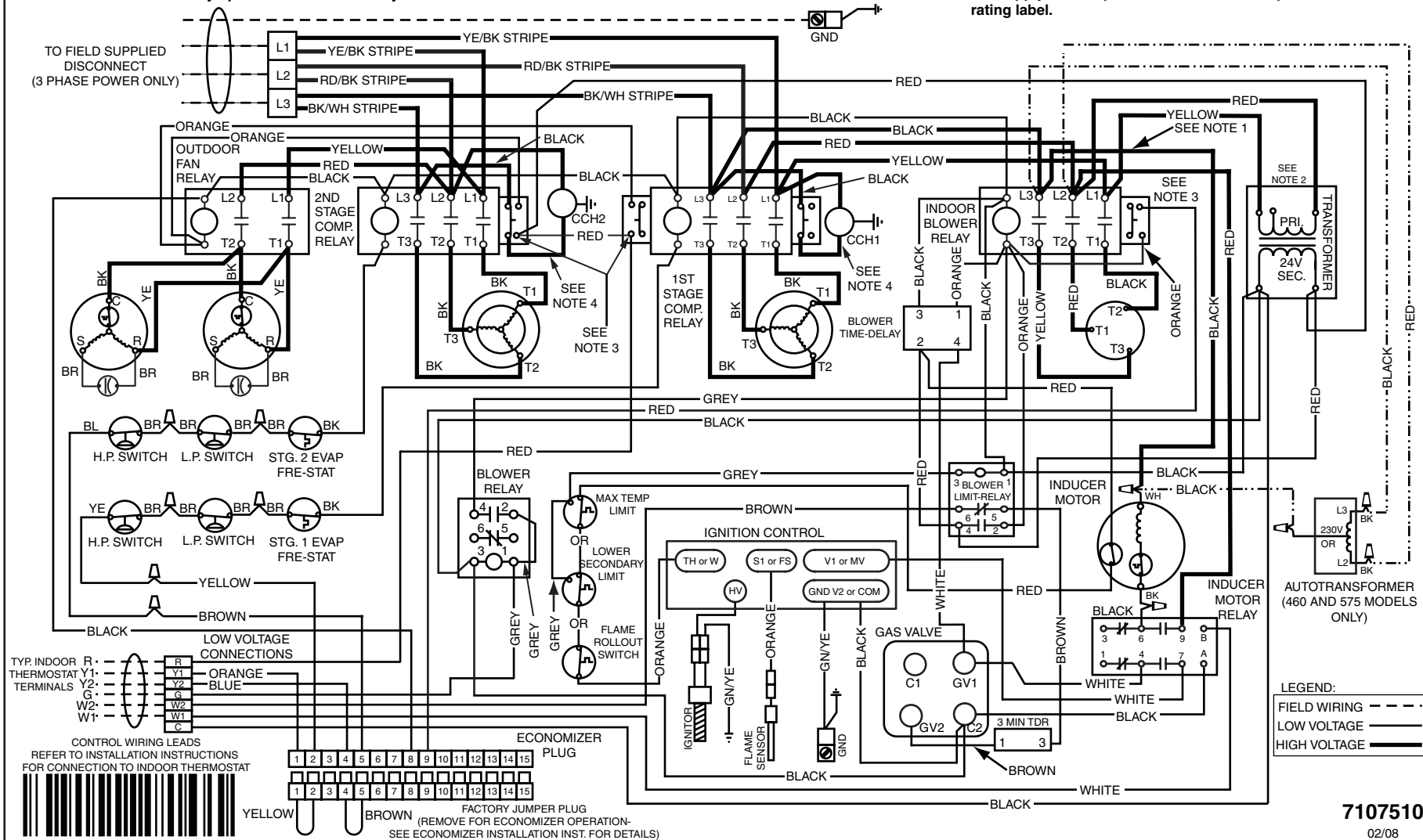
## R6GP-090(C/D) SERIES

208-230/460/575 VOLT

THREE PHASE / 60 Hz

**NOTES:**

1. This wire replaced by autotransformer when used.
2. For 090C models only. For 208 VAC operation remove wire at 240V tap and place on 208V tap.
3. Wires attached to normally open contacts of auxillary switch.
4. Wires attached to normally closed contacts of auxillary switch.
5. Disconnect all power before servicing.
6. For supply connections use copper conductors only.
7. If any of the original wire as supplied with the furnace must be replaced, it must be replaced with wiring material having a temperature rating of at least 105C.
8. For supply wire ampacities and overcurrent protection, see unit rating label.



7107510  
02/08