

WIRING DIAGRAM

Packaged Single Stage Gas Heat/Electric Air Conditioner

460 Volt

Three Phase

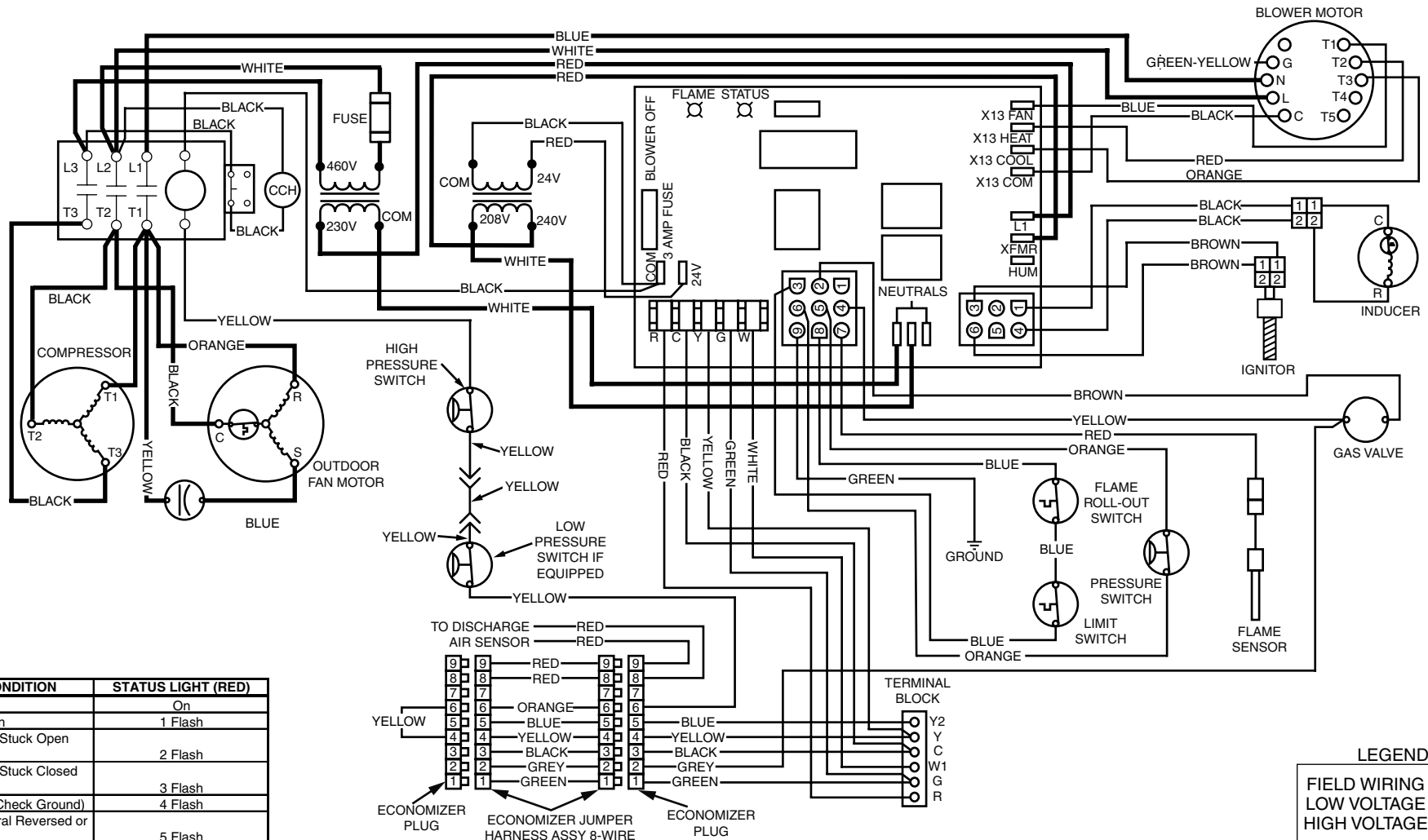
60Hz

NOTES:

1. Disconnect all power before servicing.
2. For supply connections use copper conductors only.

3. If any of the original wire as supplied with the furnace must be replaced, it must be replaced with wiring material having a temperature rating of at least 105 C.
4. For supply wire ampacities and overcurrent protection, see unit rating plate.

1. Couper le courant avantaire letretien.
2. Employez uniquement des conducteurs en cuivre.



FAULT CONDITION	STATUS LIGHT (RED)
Power On	On
Limit Circuit Open	1 Flash
Pressure Switch Stuck Open with Inducer On	2 Flash
Pressure Switch Stuck Closed with Inducer Off	3 Flash
Ignition Failure (Check Ground)	4 Flash
230 VAC & Neutral Reversed or No Ground	5 Flash
False Flame or Gas Relay Shorted	Continuous Flash
Power Off	Off
FAULT CONDITION	STATUS LIGHT (YELLOW)
Low Flame Sensor Signal	Continuous Flash
Flame Present	On

LEGEND:

- FIELD WIRING - - - -
- LOW VOLTAGE ————
- HIGH VOLTAGE ————

710860
0509