

WIRING DIAGRAM

R6GP Series 6-10T

208-230/460 Volt

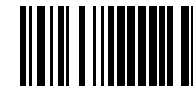
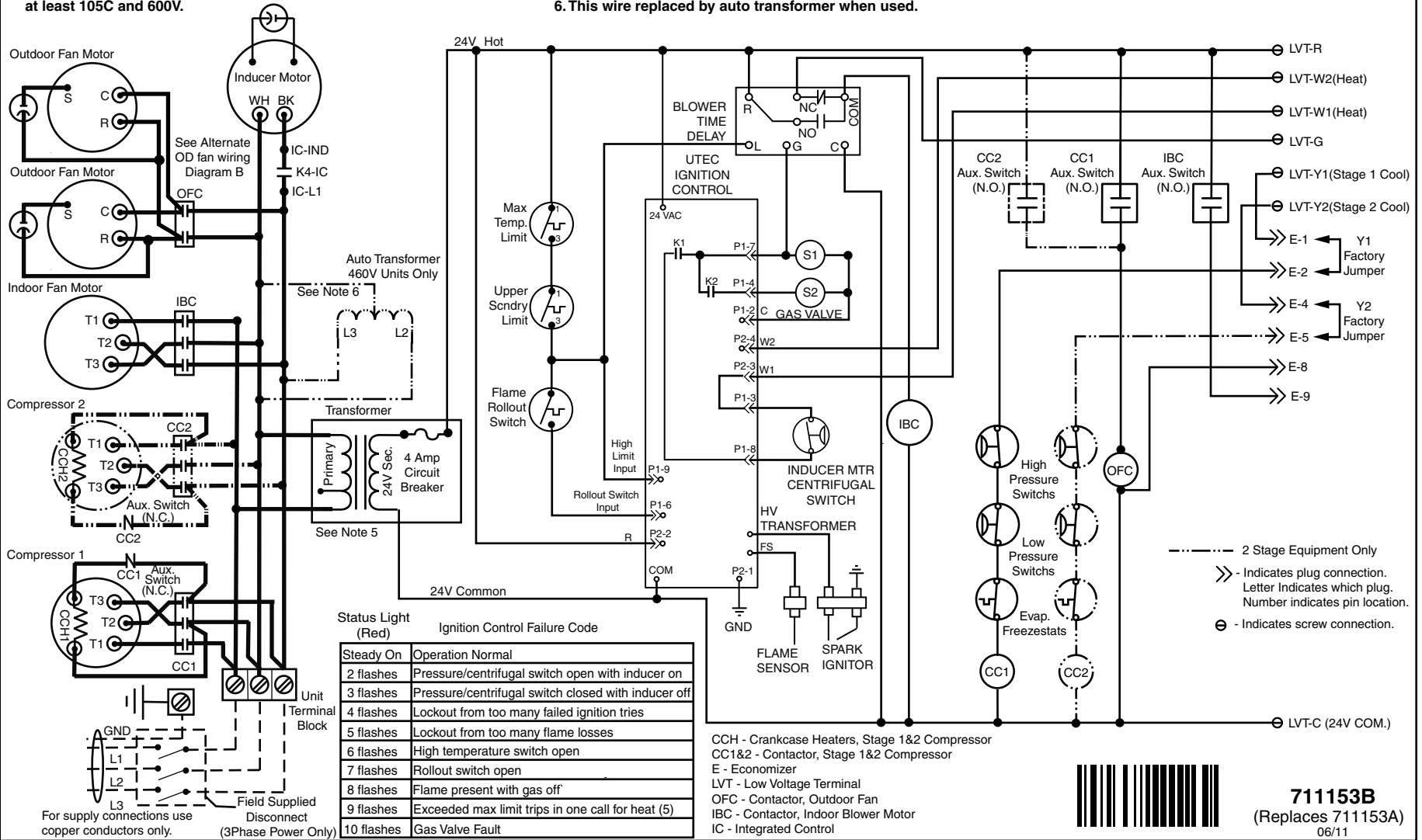
3 Phase 60 Hz.

NOTES:

1. Disconnect all power before servicing.
2. For supply connections use copper conductors only.
3. If any of the original wire as supplied with the furnace must be replaced, it must be replaced with wiring material having a temperature rating of at least 105C and 600V.

4. For supply wire ampacities and overcurrent protection, see unit rating label.
5. On "C" Series Models only. For 208V operation remove wire from 230V tap and place on 208V tap.
6. This wire replaced by auto transformer when used.

1. Couper le courant avant de faire letretien.
2. Employez uniquement des conducteurs en cuivre.



711153B
(Replaces 711153A)