

WIRING DIAGRAM

Q6SP-(090/120)(C/D) Series

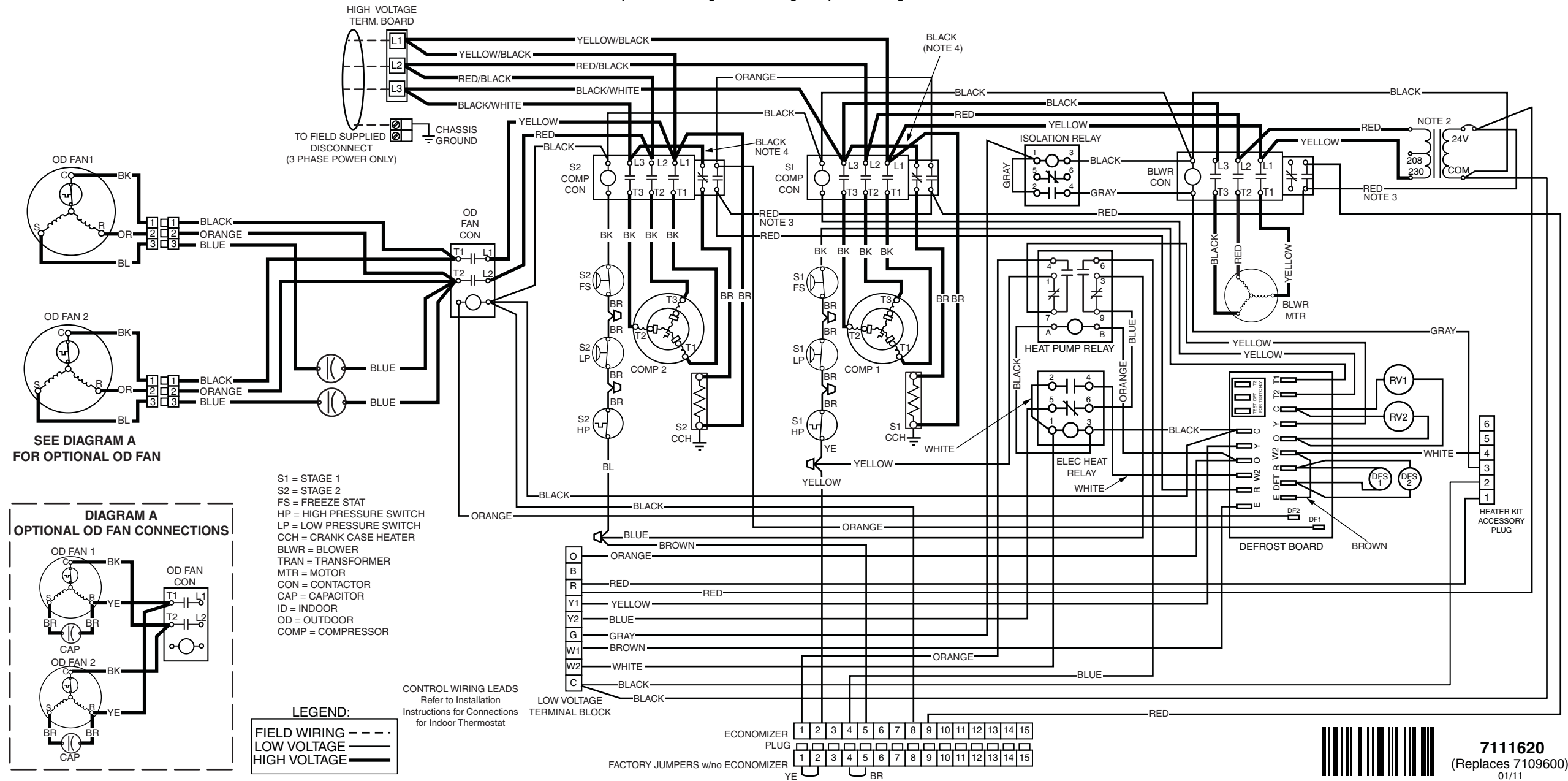
208-230/460 Volt

Three Phase / 60 Hz.

NOTES:

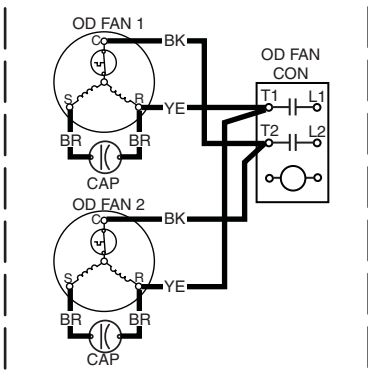
1. For supply wire ampacities and overcurrent protection, see unit rating label.
2. For "C" Series Models only. For 208 VAC operation remove wire at 230V tap and place on 208V tap.
3. Wires attached to normally open contacts of auxillary switch.

4. Wires attached to normally closed contacts of auxillary switch.
5. Disconnect all power before servicing.
6. For supply connections, use copper conductors only.
7. If any of the original wire at supplied with the unit must be replaced, it must be replaced with wiring material having a temperature rating of at least 105C.



SEE DIAGRAM A FOR OPTIONAL OD FAN

DIAGRAM A
OPTIONAL OD FAN CONNECTIONS



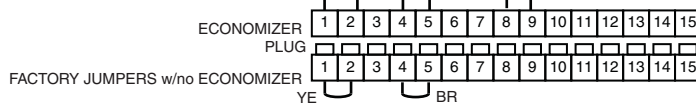
- S1 = STAGE 1
- S2 = STAGE 2
- FS = FREEZE STAT
- HP = HIGH PRESSURE SWITCH
- LP = LOW PRESSURE SWITCH
- CCH = CRANK CASE HEATER
- BLWR = BLOWER
- TRAN = TRANSFORMER
- MTR = MOTOR
- CON = CONTACTOR
- CAP = CAPACITOR
- ID = INDOOR
- OD = OUTDOOR
- COMP = COMPRESSOR

LEGEND:

- FIELD WIRING - - - -
- LOW VOLTAGE ———
- HIGH VOLTAGE ———

CONTROL WIRING LEADS
Refer to Installation
Instructions for Connections
for Indoor Thermostat

LOW VOLTAGE
TERMINAL BLOCK



7111620
(Replaces 7109600)
01/11