



## REPLACEMENT PARTS LIST

PACKAGED HEAT PUMP WITH OPTIONAL ELECTRIC HEAT

Q7TQ SERIES

6-, 7.5-, AND 10-TON



## IMPORTANT

- This document is primarily intended to assist qualified individuals experienced in the proper repair or servicing of this appliance. Only factory authorized parts or accessory kits may be used with this product. Improper installation, service, adjustment, or maintenance may cause explosion, fire, electrical shock or other hazardous conditions which may result in personal injury or property damage.
- Some local codes require licensed installation / service personnel to service this type of equipment. Under no circumstances should the equipment owner attempt to install parts or service this equipment. Failure to comply with this warning could result in property damage, personal injury, or death.

**MAIN CABINET ASSEMBLY COMPONENTS—SEE FIGURE 1**

ITEM NO.	DESCRIPTION	PN			
		Q7TQ072	Q7TQ090	Q7TQ120	
1	COIL, OUTDOOR	1012455R		1006462R	
2	COIL, INDOOR	1012454R		1006463R	
3	EVAPORATOR DRAIN PAN	1006391R			
4	CONDENSATE FLOAT SENSOR (OPTIONAL)	1011107R			
5	COMPRESSOR	208/230V, 3PH	1007267R	1012535R	1012958R
		460V, 3PH	1007268R	1012536R	1012959R
		575V, 3PH	1007269R	1012537R	N/A
6	SOLENOID COIL, HOT GAS BYPASS	1012973R			
7	SOLENOID VALVE, HOT GAS BYPASS	669965R			
8	SOLENIOD COIL, REFRIGERANT CONTROL (REVERSING) VALVE	669938R			
9	SOLENOID VALVE, REFRIGERANT CONTROL (REVERSING) VALVE	669889R			
10	THERMOSTATIC EXPANSION VALVE, COOLING	1012538R	1012540R	1010926R	
11	THERMOSTATIC EXPANSION VALVE, HEATING	1012539R	1012542R	1010927R	
12	FILTER DRYER	1012541R		669780R	
13	ACCUMULATOR	668854R			
14	BLOWER ACCESS DOOR	1005661R		1011505R	
15	CONTROL ACCESS DOOR - RIGHT	1012033R			
16	CONTROL ACCESS DOOR - LEFT	1012032R			
17	COMPRESSOR ACCESS COVER	1005754R			
18	COMPRESSOR COMPARTMENT ACCESS COVER HANDLE	RZ262742			
19	ELECTRIC HEAT SERVICE COVER	1011542R			
20	ELECTRIC HEAT PANEL	1011538R			
21	FILTER ACCESS DOOR	1005672R			
22	SLAM LATCH	RZ271797			
23	CONDENSER TOP PAN	1005743R			
24	CORNER POST, REAR	1005737R		1011494R	
25	CORNER POST, FRONT	1005742R		1012675R	
26	SUPPLY CONNECTION COVER, HORIZONTAL	1005674R			
27	DISCHARGE CONNECTION COVER, HORIZONTAL	1005673R			
28	INTAKE AIR COVER, ECONOMIZER	1005903R			
29	DISCHARGE AIR COVER, ECONOMIZER	1005904R			
30	UTILITY CHASE	1005759R			
31	BLOWER MOTOR	2HP, 208/230V	1007611R		
		2HP, 460V	1007612R		
		2HP, 575V	1006472R		
		3HP ECM, 208/230V (OPTIONAL)	1010930R		
		3HP ECM, 460V (OPTIONAL)	1010936R		
32	ECM MOTOR DRIVE	208/230V (OPTIONAL)	1010931R		
		460V (OPTIONAL)	1010937R		
33	ADJUSTABLE MOTOR MOUNT	667367R			
34	BLOWER ASSEMBLY (CONTAINS: WHEEL, HOUSING, SHAFT, KEY, BEARINGS)	667284R		1013103R	
35	BLOWER COMPARTMENT COVER	1005744R			
36	CONDENSER FAN MOTOR	1/4HP, 208/230V (QTY 2)	1006480R	—	
		1/4HP, 460V (QTY 2)	1006481R	—	
		1/4HP, 575V (QTY 2)	1006482R	—	
		1/3HP, 208/230V (QTY 2)	—	622252R	
		1/3HP, 460V (QTY 2)	—	622253R	
		1/3HP, 575V (QTY 2)	—	1006471R	
37	CONDENSER FAN BLADE	667359R	667364R		
38	CONDENSER FAN GRILLE	669335R			
39	CONDENSER FAN SHROUD	295481R			
40	ACCESS COMPARTMENT DOOR HINGE	RZ271796			
41	CONTROL COMPARTMENT DOOR HINGE	RZ210029			
42	CONTROL COMPARTMENT DOOR LATCH	RZ204469			
43	CONTROL COMPARTMENT DOOR LATCH PULL	RZ204470			

MAIN CABINET ASSEMBLY COMPONENTS NOT SHOWN					
ITEM NO.	DESCRIPTION		PN		
			Q7TQ072	Q7TQ090	Q7TQ120
—	CRANKCASE HEATER	240V/40W	1011116R		
		480V/40W	1011117R		
		575V/40W	1011118R		
—	OUTDOOR AIR TEMPERATURE SENSOR		1012972R		
—	SWITCH, HIGH PRESSURE		632473R	1011108R	
—	COMPRESSOR GROMMET		668530R		
—	BLOWER ACCESS DOOR GASKET		1013188R		
—	CONTROL ACCESS DOOR GASKET		1013189R		
—	FILTER ACCESS DOOR GASKET		1013188R		
—	COVER SKIN, OUTDOOR COIL		1005738R	1011512R	
—	SUPPORT, OUTDOOR COIL (DISTRIBUTOR)		1012046R		
—	SUPPORT, OUTDOOR COIL (COIL)		1012047R		
—	AIR FILTER (NOT SHOWN)	20 × 20 × 2, STANDARD	1006483R		
		20 × 20 × 2, PLEATED MERV 4 (OPTIONAL)	1006470R		
		20 × 20 × 2, PLEATED MERV 8 (OPTIONAL)	1006417R		
		20 × 25 × 2, STANDARD	—	1013208R	
		20 × 25 × 2, PLEATED MERV 4 (OPTIONAL)	—	1013209R	
		20 × 25 × 2, PLEATED MERV 8 (OPTIONAL)	—	1003302R	
—	BLOWER PULLEY (WITH KEY)	BK72 × 1"	667289R		
		BK77 × 1" (OPTIONAL)	667299R		
		BK70 × 1" (OPTIONAL)	667405R		
—	BLOWER MOTOR PULLEY (WITH KEY)	1VP40 × 7/8"	667290R		
		BK45 × 7/8" (OPTIONAL)	1011448R		
—	DRIVE BELT		RZ092223		
—	BLOWER SHAFT KEY		618057R		

CONTROL COMPARTMENT COMPONENTS—SEE FIGURE 2					
ITEM NO.	DESCRIPTION		PN		
			Q7TQ072	Q7TQ090	Q7TQ120
44	GROUNDING LUG		631431R		
45	TERMINAL BLOCK, 3-POLE		632348R		
46	TERMINAL BLOCK, LOW VOLTAGE		632696R		
47	TERMINAL BOARD, THERMOSTAT CONNECTION		RZ144972		
48	CONTACTOR, CONDENSER FAN, 2-POLE, 25A		624830R		
49	CONTACTOR, BLOWER MOTOR, 2-POLE, 25A (QTY 1 OR 2)		RZ216386		
50	CONTACTOR, COMPRESSOR, 3-POLE, 30A (QTY 2)		621832R		
51	RELAY SOCKET, CR2-CR6, CR8, 24V		RZ211415		
52	RELAY SOCKET, CR1 - SMOKE DETECTOR (OPTIONAL, NOT SHOWN)		RZ211800		
53	RELAY, CR2-CR6, CR8, 24V		RZ211411		
54	RELAY, CR1, SMOKE DETECTOR (OPTIONAL, NOT SHOWN)		RZ211799		
55	24V TRANSFORMER	208/230/460, 90VA	622247R		
		575V, 85VA	1011124R		
56	DEFROST CONTROL BOARD		1016567R		
57	GFCI RECEPTACLE (OPTIONAL)		632413R		
58	CONTROL COMPARTMENT DOOR STAY ROD		669413R		
59	LOW AMBIENT PRESSURE CONTROL (COND FAN SPEED CONTROL, OPTIONAL)		1006086R		
60	CAPACITOR, COND FAN (QTY 2)	5 $\mu$ f, 440V - 460/575V UNITS	01-0061		
		7.5 $\mu$ f, 370V - 208/230V UNITS	01-0023		

ELECTRIC HEAT SECTION—SEE FIGURE 2						
ITEM NO.	DESCRIPTION			PN*		
				Q7TQ072	Q7TQ090	Q7TQ120
59	HEATING ELEMENT ASSY.	3.3kW	D12698R			
		5.8kW	175160R			
		6.0kW	491227R			
		6.6.kW	D12708R			
		9.6kW	491225R			
		11.6kW	498193R			
		10kW	RZ272507			
60	TERMINAL BLOCK, HIGH VOLTAGE			632366R		
61	GROUNDING LUG, ELECTRIC HEAT			632235R		
<b>COMPONENTS BELOW ARE NOT SHOWN</b>						
—	SEQUENCER, 2-POLE, BLOWER TIMER			01-0840		
—	SEQUENCER, 1-POLE, AUXILIARY TIMER			01-0838		
—	LIMIT, 125-DEG			RZ57953		
—	LIMIT, 155-DEG			626410R		
—	LIMIT, 170-DEG			RZ057953		
—	LIMIT, 210-DEG			626502R		
—	CIRCUIT BREAKER, 3-POLE, 60-AMP (208/230V ONLY)			632225R		
—	CONTACTOR, 3-POLE, 40A			621667R		
—	CONTACTOR, 3-POLE, 50A			621888R		
—	HEAT BRACKET - 1 ELEMENT (575V ONLY)			1011534R		
—	HEAT BRACKET - 2 ELEMENT	208-460V	1012878R			
—		575V	1011535R			
—	HEAT BRACKET - 3 ELEMENT	208-460V	1012879R			
—		575V	1011536R			
—	HEAT BRACKET - 4 ELEMENT	575V	1011537R			

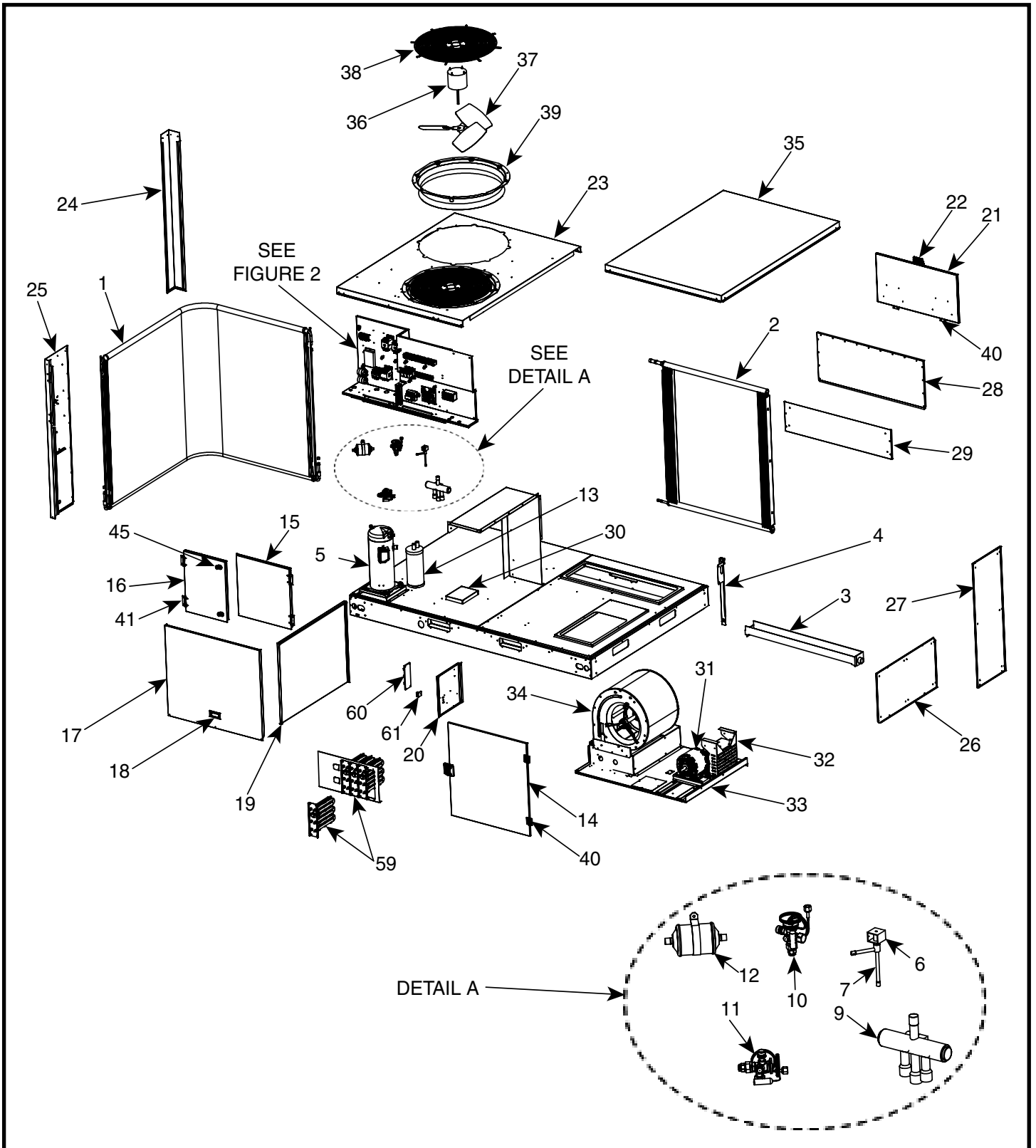
\*SEE TABLE BELOW FOR QUANTITIES

QUANTITIES—ELECTRIC HEAT REPLACEMENT PARTS													
PN*	DESCRIPTION	VOLTS											
		208/230				460				575			
		KW											
		9	18	30	35	9	18	30	35	10	20	30	40
491216	HEATING ELEMENT ASSY, 3.0kW	1											
D12698	HEATING ELEMENT ASSY, 3.3kW					1							
175160	HEATING ELEMENT ASSY, 5.8kW		1										
491227	HEATING ELEMENT ASSY, 6.0kW	1					3						
D12708	HEATING ELEMENT ASSY, 6.6kW					1							
491225	HEATING ELEMENT ASSY, 9.6kW			3				3					
498193	HEATING ELEMENT ASSY, 11.6kW		1		3				3				
272507	HEATING ELEMENT ASSY, 10kW									1	2	3	4
621380	SEQUENCER, 2-POLE, BLOWER TIMER	1	1	1	1	1	1	1	1	1	1	1	1
621383	SEQUENCER, 1-POLE, AUXILIARY TIMER			1	1			1	1			1	1
626502	LIMIT, 210-DEG			3	3			3	3				
62410	LIMIT, 155-DEG	2	2			2	3					3	4
57953	LIMIT, 125-DEG									1	2		
632366	TERMINAL BLOCK, HIGH VOLTAGE	1	1	1	2	1	1	1	1	1	1	1	1
632235	GROUNDING LUG, ELECTRIC HEAT	1	1	1	2	1	1	1	1	1	1	1	1
632225	CIRCUIT BREAKER, 3-POLE, 60-AMP		1	2	2								
621667	CONTACTOR, 3-POLE, 40-AMP RES	1				1	1			1	1		
621888	CONTACTOR, 3-POLE, 50-AMP RES		1	2	2			1	1			1	1

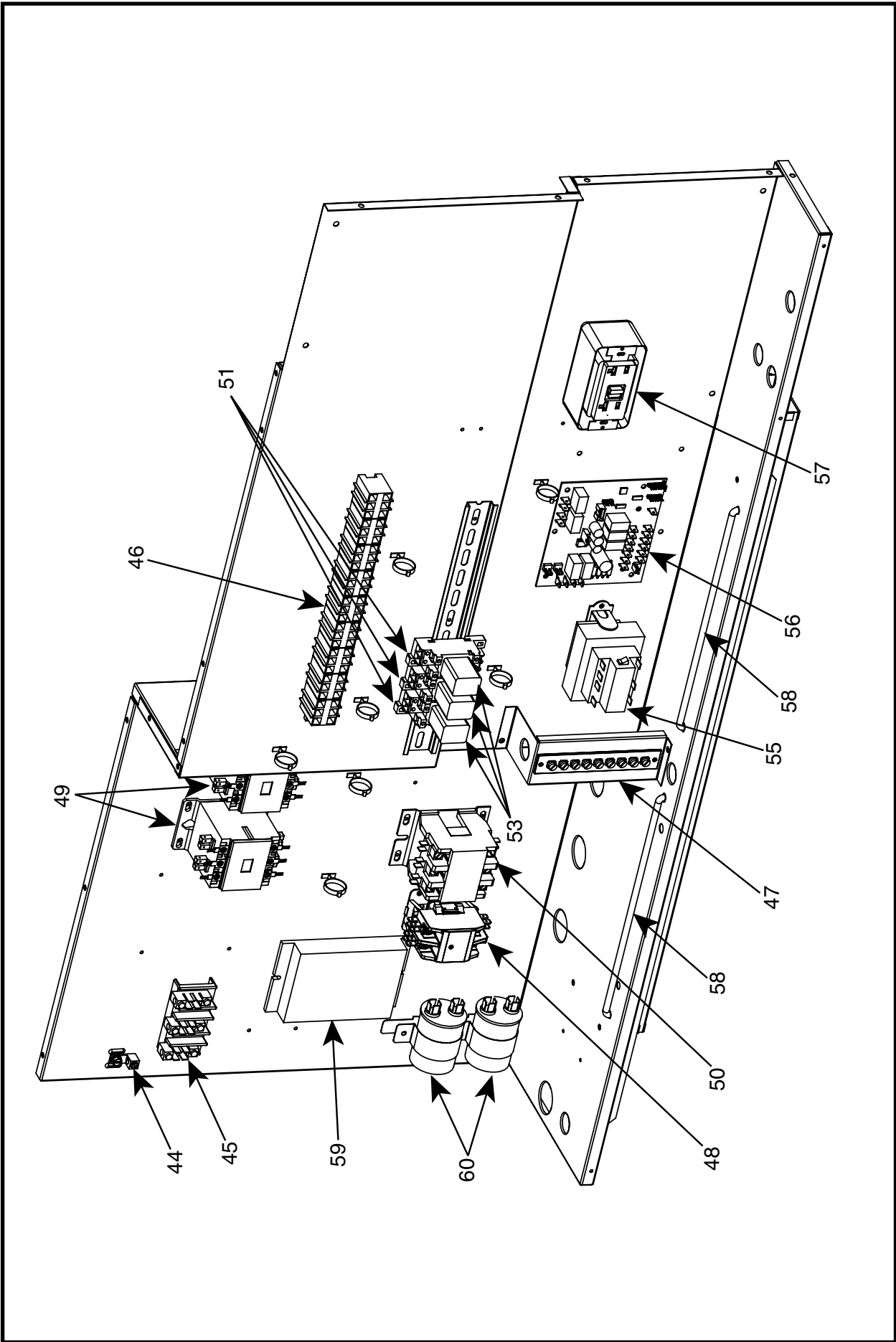
ECONOMIZER COMPONENTS—SEE FIGURE 3					
ITEM NO.	DESCRIPTION		PN		
			Q7TQ072	Q7TQ090	Q7TQ120
62	ECONOMIZER INTAKE HOOD KIT - VERTICAL (OPTIONAL)		1013251		
63	ECONOMIZER EXHAUST HOOD KIT - VERTICAL (OPTIONAL)		1013252		
64	ECONOMIZER CONTROL (OPTIONAL)		626621R		
65	TEMPERATURE SENSOR - CONDENSER (OPTIONAL)		RZ261042		
66	TEMPERATURE SENSOR - DRY BULB (OPTIONAL)		626623R		
67	TEMPERATURE SENSOR - ENTHALPY (OPTIONAL)		626622R		
68	OUTDOOR AIR DAMPER W/MODULATING ACTUATOR (OPTIONAL)		1006475R		
69	RETURN AIR DAMPER (OPTIONAL)		1006476R		
70	PERM ALUM FILTER 16 × 20 × 1 (QTY 2 ) (OPTIONAL)		RZ101607		
71	PERM ALUM FILTER 20 × 20 × 1 (QTY 2 ) (OPTIONAL)		RZ101608		
72	BAROMETRIC RELIEF DAMPER KIT - VERTICAL (OPTIONAL)		1013190		
73	POWERED EXHAUST FAN MOTOR - VERTICAL (OPTIONAL)	208-460V	RZ205628		
		575V	RZ1012078		
74	POWERED EXHAUST FAN BLADE - VERTICAL (OPTIONAL)		667364R	RZ271835	

MANUALS		
ITEM NO.	DESCRIPTION	PN
75	OPERATION MANUAL	1012999
76	INSTALLATION MANUAL	1012998

FIELD-INSTALLED OPTIONS				
ITEM NO.	DESCRIPTION	PN		
		Q7TQ072	Q7TQ090	Q7TQ120
1	8" CURB		1011391	
2	14" CURB		1011388	
3	18" CURB		1011389	
4	24" CURB		1011390	
5	CONVENIENCE OUTLET		1011383	
6	MANUAL OUTDOOR AIR DAMPER		1011416	
7	POWERED OUTDOOR AIR DAMPER		1011417	
8	ECONOMIZER, VERTICAL, WITH ENTHALPY CONTROLLER		1011418	
9	DIFFERENTIAL ENTHALPY CONTROL		1011701	
10	RA MOUNTED CO2 SENSOR		1011410	
11	WALL MOUNTED CO2 SENSOR		1011411	
12	SMOKE DETECTOR		1011404	
13	SAMPLING TUBE , 4-FT (QTY 2)		1011405	
14	SAMPLING TUBE, 8-FT (QTY 4)		1011406	
15	FILTER UPGRADE TO MERV 8	1011407		—
16	CONDENSATE FLOAT SAFETY SWITCH		1011396	
17	LOW AMBIENT CONTROL (COND FAN CYCLING)	1011408		1011409
18	LOW PRESSURE SWITCH	1011412		1011413
19	FREEZESTAT	1011414		1011415
20	MESH HAIL GUARD	1011385	1011386	1011387
21	BACNET THERMOSTAT		1011394	
22	LONWORKS THERMOSTAT		1011394	
23	BURGLAR BARS		1011382	
24	HIGH STATIC DRIVE, UP TO 1" WC	208/230-VOLT	1020549	1011379
		460-VOLT	1020549	1011380
		575-VOLT	1020549	1011996
25	FUSIBLE DISCONNECT SWITCH, 60-AMP, 600-VOLT, USA		1011400	
26	FUSIBLE DISCONNECT SWITCH, 60-AMP, 240-VOLT, USA		1011397	
27	FUSIBLE DISCONNECT SWITCH, 60-AMP, 600-VOLT, CANADA		1011402	
28	HOODED HAIL GUARD		1006379	
29	POWER EXHAUST KIT	208/230/460-VOLT	1013192	1013194
		575-VOLT	1013193	1013195
30	3 PHASE VOLTAGE MONITOR	208/230/460-VOLT		1020547
		575-VOLT		1020548
31	ELECTRIC HEAT KIT, 9kW	208/230-VOLT		1011669
		460-VOLT		1011672
		575-VOLT		1011675
32	ELECTRIC HEAT KIT, 18kW	208/230-VOLT		1011678
		460-VOLT		1011670
		575-VOLT		1011673
33	ELECTRIC HEAT KIT, 30kW	208/230-VOLT		1011676
		460-VOLT		1011679
		575-VOLT		1011671
34	ELECTRIC HEAT KIT, 35kW	208/230-VOLT		1011674
		460-VOLT		1011677
		575-VOLT		1011680
35	LOW AMBIENT CONTROL (COND FAN CYCLING)		1020550	—

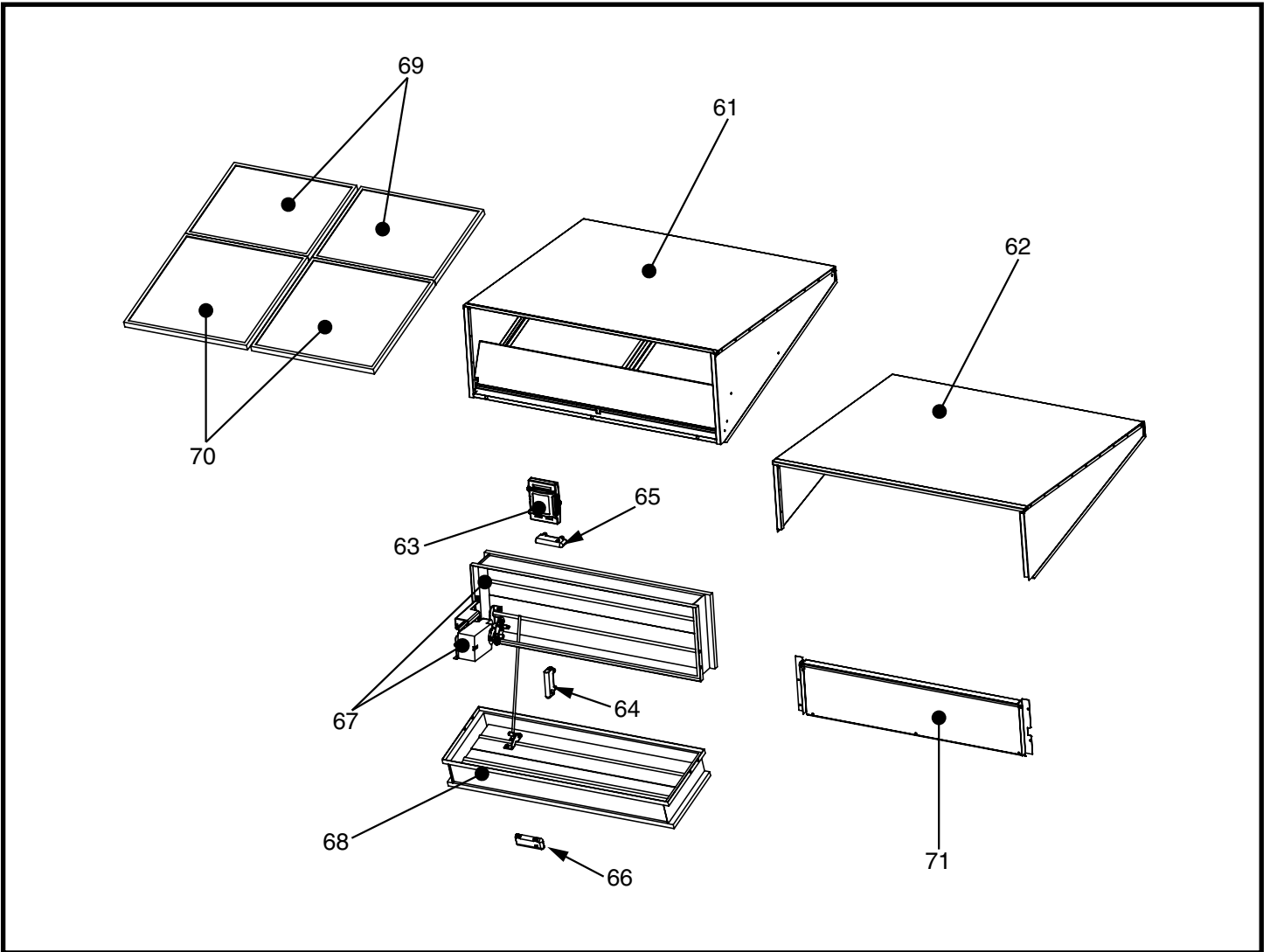


**FIGURE 1. MAIN CABINET ASSEMBLY COMPONENTS**



**FIGURE 2. CONTROL COMPARTMENT COMPONENTS**





**FIGURE 3. ECONOMIZER COMPONENTS**

