

Replacement Parts

**Applies to: Model CAUA and
Cased Cooling Coil
Model ACU**

IMPORTANT

1. Always include complete heater model and serial number so that any specification change can be considered for parts shipment. It can save time and expense.
2. Specifications are subject to change without notice.
3. We reserve the right to substitute functional replacements.
4. Order by Part No.; not Heater Option Designation.

**Model CAUA Upflow
Furnace/Blower Unit
with Model ACU
Cooling Coil and
Optional Mixing Box**



Index

B

Bearings 12, 13
Belt 9, 10, 11
Blower 12
Blower Mount Assy 12, 13
Bottom Return Air Filter Cabinet 21
Burner 16

C

Cabinet Parts 14
Capacitor 3, 4
Venter Motor Capacitor 15
Cooling Coil 22
Coils 23
Coils for Starter Overloads 8
Concentric Adapter 15
Condensate Drain Kit 17
Remote Consoles 5
Contactor 3, 4

D

Damper Controls 19
Damper Linkage 19
Damper Rod 19
Dampers 18
Discharge Plenum 24
Disconnect Switches 5
Door Interlock Switch 3, 4
Door Latch Kit 20

Belt Drives 9
Drive Table for TEFC motors 10, 11
Ductstat 3, 4
E
Electrical Components 3, 4
Enthalpy Control 19
Evaporator Coi 23

F

Filter Cabinets 20
Filter Rack 18
Filters 18, 20, 21, 24
Flame Rollout Switch 3, 4
Flame Sensor 4

G

Gas Conversion Kits 17

H

Heat Exchanger 16, 17

I

Ignition Board 3, 4
Ignition Cable 3, 4
Inlet Base 24
Isolator 14

L

Red Light 5
Limit Control 3
Line Reactors (VFD) 6

Logic Module 19

M

Mixed Air Controller 19
Mixing Box 18
Belt-Driven Blower Motor 8
MOTOR 7, 8
Belt-Driven Blower Motor 7
Blower Motor, Direct Drive 3
Damper Motor 19
Motor Mounting Plate 12, 13

O

Burner Orifices 17
Outdoor Air Controller 19

P

Paint 14
Potentiometer 19
Pressure Switch 3, 4
Blower Pulley 9, 10, 11
Motor Pulley 9, 10, 11

R

Rating Plate 2
Reducers 23
Relay 3, 4

S

Enthalpy Sensor 19
Flame Sensor 3
Mixed Air Sensor 19

Serial No. 2
Blower Shaft 12, 13
Spark Electrode 3, 4
Starter 8
STARTER 8
Starter 7
Starter OVERLOAD 7, 8
Static Pressure Tap 17

T

Terminal Strip 3, 4
TEV Bulb Placement 23
Thermostat Cover 5
Thermostatic Expansion Valve 22
Thermostatic Expansion Valves 23
Thermostats 5
Transformer 3, 4
Tubing 3

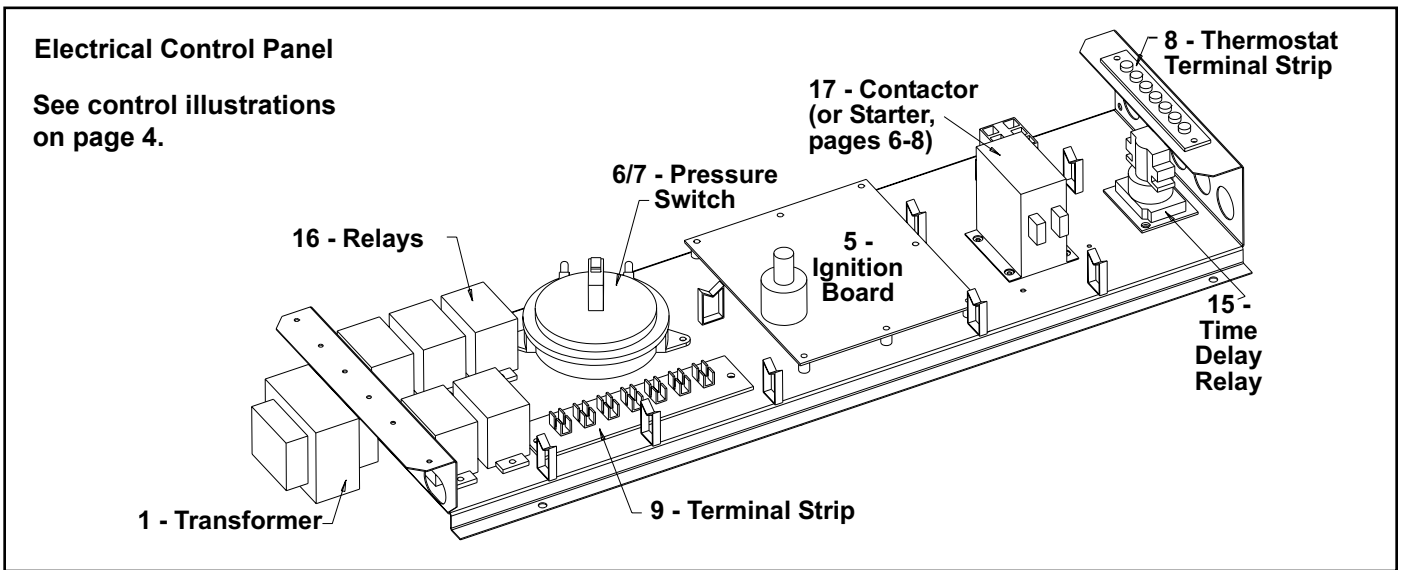
V

Variable Frequency Drive (VFD) 6
Vent/Combustion Air Kits 15
Vent Cap 15
Venter Housing 15
Venter Motor 15

Electrical Components

(See page 7 for belt-drive blower motors and starters and page 19 for damper controls.)

Code	Description	Location	150	200	250	300	350	400
1	Transformer, Products Unlimited #400-09V28CH80, 40VA, 208/230V to 24V	Control Panel	164328					
2	Transformer, Hevi-Duty #HS1B250, 480/240, 25 KVA Enclosed		166740					
3	Transformer, Hevi-Duty #HS10B250, 575/240, 25 KVA Enclosed		113556					
4	Transformer, 208/240 to 24V, 40VA, BE21539001	Mixing Box	103497					
5	Ignition Board, 230V, UTEC 1097-211 (For unit mfgd before 3/09, order Ign Cntrl Conversion Kit, P/N 258251 .)	Control Panel	195573 (for unit mfgd beginning 3/09)					
6	Pressure Switch, .75", 0 - 4000 ft elevation, Red Label		203933 (replaces 173317)					
7	Pressure Switch for High Altitude above 4000 ft, .70" w.c., Pink Label		205446 (replaces 207171)					
8	7-Pole Terminal Strip (Thermostat), Doran #5959-7		164545					
9	7-Pole Unit Terminal Strip		164544					
10	Locking Wire Saddle, LWS-A-3-01		123606					
11	Terminal Block, KT3 (Supply Wiring)		144972					
12	End Mounting Adapter, KAD		144973					
13	Silicone Rubber Tubing, 6" lg (switch to venter)		148986					
14	Silicone Rubber Tubing (switch to burner)		174399, 13" lg		174400, 18" lg			
15	Time Delay Relay, Type 12s20		136758					
16	DPDT Plug-in Relay		211411					
	Relay Socket		211415					
	Replacement Kit for Relay P/N 14747, WR 134-20102-101 and P/N 103317, Products Unltd 9400-04Q180		263527					
17	Contact, Products Unlimited, 1 phase, #3100-20U380, 20 amp, 2 pole		164791					
	Contact, 3 phase, Furnas # 41NB30AGP122	119627						









Code	Description	Location	150	200	250	300	350	400
20	Blower Electrical Box (with direct-drive motor)	Blower Compartment (See page 14.)	164702					
21	Blwr Electrical Box Cover (w/direct-drive motor)		164703					
22	Blower Motor, Direct Drive, 1HP, 3 speed, A.O.Smith #98AC006 with Capacitor	Blower Compartment	164329		(2)164329			
22A	Capacitor only		205150					
23	Capacitor Clamp		204002					
24	Capacitor Clamp Felt, AO Smith #166A729H01		171529					
25	Capacitor Boot, Syntex #M-78		103182					
26	Door Interlock Switch, Honeywell 1DM18		Blower Compartment Door	116023				
27	Flame Sensor, Channel Products 1259-85	Burner Box	147165					
28	Limit Control, Thermodisc #10H11	Right Side (See page 16.)	148588, 270°F, 60"		164792, 300°F, 54"		148588, 270°F, 60"	
29	Spark Electrode, Channel Products #1659-92	Burner Box	147166					
30	Spark Electrode Boot		156032					
31	Ignition Cable, 18", RAM		257665					
32	Flame Rollout Switch, TOD #35TX46	Burner	112752, 225°F		121275, 275°F		112752, 225°F	
33	Ductstat with capillary tubing (used with AG3)	Unit & Supply Duct	41700					

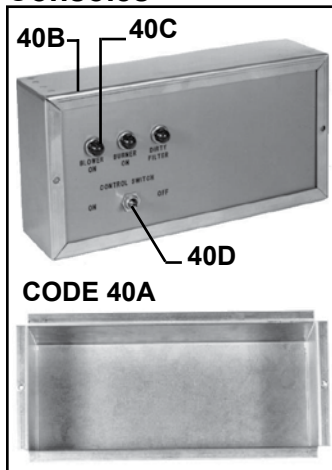
Electrical Components (cont'd)

<p>CODE 1 - Transformer, Products Unlimited #400-09V28CH80, 40VA, 208/230V to 24V, P/N 164328</p>  <p>Transformer Bracket, P/N 164518</p>	<p>CODE 2 - Transformer, Hevi-Duty #HS1B250, 480/240, P/N 166740</p> <p>CODE 3 - Transformer, Hevi-Duty #HS10B250, 575/240, P/N 113556</p> 	<p>CODE 4 - Transformer, 208/240V to 24V, 40 VA, BE21539001, (used in Optional Mixing Box), P/N 103497</p> 	<p>CODE 5 - Ignition Board, 230V, UTEC 1097-211, P/N 195573</p>  <p>When replacing a RAM 3MC4-06 (Serial No. Code 76) or J/C G822KCC-5401D (Serial No. Code 77) on a unit manufactured before 3/09, order replacement kit, P/N 258251.</p>
<p>CODE 6 - Pressure Switch, .75" w.c., Red Label P/N 203933 (replaces 164327 and 173317)</p>  <p>CODE 7 - Pressure Switch for High Altitude, .70" w.c., Pink Label, P/N 205446 (replaces 164793, 173318, 207171)</p>	<p>CODE 8 - Thermostat Terminal Strip, Doran #5959-7, P/N 164545</p>  <p>CODE 9 - 7 Pole Unit Terminal Strip Control Panel, P/N 164544</p> 	<p>CODE 10 - Locking Wire Saddle, LWS-A-3-01, P/N 123606</p> 	<p>CODE 11 - Terminal Block, KT3, P/N 144972</p>  <p>CODE 12 - End Mounting Adapter, KAD, P/N 144973</p> 
<p>CODE 15 - Time Delay Relay, P/N 136758 (used with belt drive to delay motor start)</p> 	<p>CODE 16 - Relay, DPDT, P/N 211411 and Relay Socket, P/N 211415</p>  <p>To replace relay P/N 14747 or 103317, order Replacement Kit P/N 263527</p>	<p>CODE 18 - 1 phase Contactor, Products Unlimited #3100-20V380, 20 amp, 2 pole, 1 phase, P/N 164791</p>  <p>3 phase, Contactor, Hartland HCC-3XU01CY, P/N 119627</p>	
<p>CODE 22 - Blower Motor with Capacitor, Direct Drive, 1 HP, 3 speed, A.O.Smith #98AC006, P/N 164329</p> 	<p>CODE 22A - Replacement Capacitor only, P/N 205150</p> <p>CODE 23 - Capacitor Clamp, P/N 204002</p> <p>CODE 24 - Capacitor Clamp Felt, AO Smith #166A729H01, P/N 171529</p> <p>CODE 25 - Capacitor Boot, Syntex # M-78, P/N 103182</p> <p>NOTE: For optional belt-drive motors and starters, see pages 6-8.</p>	<p>CODE 26 - Door Interlock Switch, Honeywell Micro Switch #1DM18, P/N 116023</p> 	
<p>CODE 27 - Flame Sensor, Channel Products 1259-85, P/N 147165</p> 	<p>CODE 29 - Spark Electrode, Channel Products #1659-92, P/N 147166</p> 	<p>CODE 31 - Ignition Cable, RAM #HV96009, 18", P/N 148085</p> 	<p>CODE 33 - Ductstat, P/N 41700</p> 
<p>CODE 28 - Manual Reset Limit Control, Thermdisc #10H11, P/N 148588 (60" capillary, 270°F) and P/N 164792 (54" capillary, 300°F)</p> 	<p>CODE 30 - Spark Electrode Boot, P/N 156032</p> 	<p>CODE 32 - Flame Rollout Switch, TOD #35TX46</p> <p>225°F, P/N 121275 275°F, P/N 112752</p>	

Thermostats and Accessories

<p>CODE 34 - 1-stage, Honeywell T812C1000 Heating/Cooling Thermostat, Option CL1, P/N 255350</p>		<p>CODE 35 - Electronic Two-Stage Thermostat, M/H TH5220D1029, 24 volt, 2-stage heating/2-stage cooling, Option CL22, P/N 220630 (replaces P/N 93435, 93436, and 93437)</p>			
<p>CODE 36 - Electronic Two-Stage Thermostat, M/H TB8220U1003, 7-day programmable, touchscreen, 24 volt, 2-stage heating / 2-stage cooling, Option CL23, P/N 257338</p>		<p>CODE 37 - 5-2 Programmable Thermostat, M/H TH411D1007, 24 volt, heating/cooling, Option CL52, P/N 220632</p>		<p>CODE 38 - Electronic 7-day Programmable, 2-stage heating / 2-stage cooling, 24v, switching subbase with auto/cool/off/heat switch and auto/on fan switch, M/H #T7350B1002, P/N 221038 (Same as CL33) (replaces P/N 110158)</p>	
<p>CODE 39 - Locking Thermostat Cover</p> <p>Option CM1 P/N 257464, Height 6-1/2" (165mm), Width 7-1/2" (191mm), Depth 2-15/16" (75mm) - fits all thermostats above except Code 38</p> <p>Option CM1B, P/N 257463, Height 7-1/4" (184mm), Width 9-3/4" (248mm), Depth 3-3/8" (86mm) - fits all thermostats above including Code 38</p>					

Code 40 - Remote Consoles



Optional RC style remote console includes a mounting ring so that the console may be either recessed or wall mounted. The box is of 16 gauge steel with knockout holes for field wiring. The cover is made of plastic with custom engraving. Order replacement parts for Option RC remote console by part number.

CODE	Description	P/N
40A	Console Box - 10-1/16 x 6-5/8 x 2-5/8	107010
	Console Box - 15-1/16 x 6-5/8 x 2-5/8	107011
40B	Mounting Ring for 10-1/16" lg box	107014
	Mounting Ring for 15-1/16" lg box	107015
40C	Red Light, Solico 3039-3-11-41610	101889
40D	SPDT Switch, Cutler Hammer #7505K6, 15 amps	101901
	DPDT Switch, Cutler Hammer #7561K6, 15 amps	101900

Remote Console Option Dimensions			
(approximate dimensions with mounting ring*)			
Console Options	Length	Height	Depth
All RC 1, 2, 3, 4, 5, 6, 9	10-3/4" (273mm)	7-5/8" (194mm)	2-5/8" (67mm)
RC 7, 8, 10, 12 without an optional control on the console	10-3/4" (273mm)	7-5/8" (194mm)	2-5/8" (67mm)
RC 7, 8, 10, 12 with an optional control on the console	15-3/4" (400mm)	7-5/8" (194mm)	2-5/8" (67mm)
All RC 11	15-3/4" (400mm)	7-5/8" (194mm)	2-5/8" (67mm)

* Subtract 5/8" from L & H when recessing console (not using wall-mounting ring)

Code 41 - Disconnect Switches



UL Listed Disconnect Switches	Use in U.S.A.		Use in Canada	
	P/N	Same as Opt	P/N	Same as Opt
30 Amp, 240 Volt, Non Fusible	40267	CP1	--	--
30 Amp, 240 Volt, Fusible*	40268	CP2	--	--
30 Amp, 600 Volt, Non Fusible	50365	CP3	208053	CP58
30 Amp, 600 Volt, Fusible*	50366	CP4	208045	CP41
60 Amp, 240 Volt, Non Fusible	161462	CP21	--	--
60 Amp, 240 Volt, Fusible*	89932	CP17	--	--
60 Amp, 600 Volt, Non Fusible	161464	CP23	208055	CP60
60 Amp, 600 Volt, Fusible*	90974	CP20	208047	CP43

*Fuse is not included.

Code 42 - Variable Frequency Drive (VFD)



Replacement Display,
ABB Model ACS-CP-A
P/N 272508

Voltage		Open Dripproof Motor						
		AL4	AL5	AL6	AL7	AL8	AL9	AL10
		1/2 HP	3/4 HP	1 HP	1.5 HP	2 HP	3 HP	5 HP
AK2	208/1/60	221564	N/A	221565	221566	221567	221568	N/A
AK3	230/1/60	221564	N/A	221565	221566	221567	221568	N/A
AK5	208/3/60	221569	221570	221571	221572	221573	221574	221611
AK6	230/3/60	221569	221570	221571	221572	221573	221574	221611
AK7	460/3/60	221575	221576	221577	221578	221579	221580	221581
AK8	575/3/60	N/A	N/A	N/A	N/A	221855	221856	221857
Voltage		Totally Enclosed Motors						
		AL21	AL22	AL23	AL24	AL25	AL26	AL27
		1/2 HP	3/4 HP	1 HP	1.5 HP	2 HP	3 HP	5 HP
AK2	208/1/60	221564	N/A	221565	221566	221567	221568	N/A
AK3	230/1/60	221564	N/A	221565	221566	221567	221568	N/A
AK5	208/3/60	221569	221570	221571	221572	221573	221574	221611
AK6	230/3/60	221569	221570	221571	221572	221573	221574	221611
AK7	460/3/60	221575	221576	221577	221578	221579	221580	221581
AK8	575/3/60	N/A	N/A	N/A	N/A	221855	221856	221857
Voltage		Premium Efficiency Motors						
		AL36	AL37	AL38	AL39	AL40		
		82.0%	84.0%	84.0%	87.0%	87.5%		
		1 HP	1.5 HP	2 HP	3 HP	5 HP		
AK5	208/3/60	221571	221572	221573	221574	221611		
AK6	230/3/60	221571	221572	221573	221574	221611		
AK7	460/3/60	221577	221578	221579	221580	221581		
AK8	575/3/60	N/A	N/A	221855	221856	221857		

ABB VFD Drives with Matching Line Reactors

VFD P/N	Frame Size	Drive Description	CODE 43 - Line Reactor	
			P/N	Description
221564	R0	ABB ACS150-01U-02A4-2 1/2 hp 208-240 Volt 1 ph	221595	KDRA26L
221565	R1	ABB ACS150-01U-04A7-2 1 hp 208-240 Volt 1 ph	221596	KDRA27L
221566	R1	ABB ACS150-01U-06A7-2 1-1/2 hp 208-240 Volt 1 ph	221597	KDRA28L
221567	R2	ABB ACS150-01U-07A5-2 2 hp 208-240 Volt 1 ph	221597	KDRA28L
221568	R2	ABB ACS150-01U-09A8-2 3 hp 208-240 Volt 1 ph	221599	KDRB22L
221569	R0	ABB ACS150-03U-02A4-2 1/2 hp 208-240 Volt 3 ph	221598	KDRA53L
221570	R0	ABB ACS150-03U-03A5-2 3/4 hp 208-240 Volt 3 ph	221598	KDRA53L
221571	R1	ABB ACS150-03U-04A7-2 1 hp 208-240 Volt 3 ph	221594	KDRA25L
221572	R1	ABB ACS150-03U-06A7-2 1-1/2 hp 208-240 Volt 3 ph	221595	KDRA26L
221573	R1	ABB ACS150-03U-07A5-2 2 hp 208-240 Volt 3 ph	221596	KDRA27L
221574	R2	ABB ACS150-03U-09A8-2 3 hp 208-240 Volt 3 ph	221597	KDRA28L
221575	R0	ABB ACS150-03U-01A2-4 1/2 hp 480 Volt 3 ph	221590	KDRA6L
221576	R0	ABB ACS150-03U-01A9-4 3/4 hp 480 Volt 3 ph	221591	KDRA7L
221577	R0	ABB ACS150-03U-02A4-4 1 hp 480 Volt 3 ph	221592	KDRA8L
221578	R1	ABB ACS150-03U-03A3-4 1-1/2 hp 480 Volt 3 ph	221593	KDRA9L
221579	R1	ABB ACS150-03U-04A1-4 2 hp 480 Volt 3 ph	221585	KDRA1L
221580	R1	ABB ACS150-03U-05A6-4 3 hp 480 Volt 3 ph	221586	KDRA2L
221581	R1	ABB ACS150-03U-08A8-4 5 hp 480 Volt 3 ph	221587	KDRA3L
221611	R2	ABB ACS350-03U-17A6-2+J404 5 hp 208-240 Volt 3 ph	221599	KDRB22L
221855	R2	ABB ACS550-U1-02A7-6 2 hp 575 Volt 3 ph	Not Required	
221856	R2	ABB ACS550-U1-03A9-6 3 hp 575 volt 3 ph	Not Required	
221857	R2	ABB ACS550-U1-06A1-6 5 hp 575 volt 3 ph	Not Required	

Replacement Belt-Driven Blower Motors and Starters

Replacement Belt-Driven Motors (See **CODE 22**, pages 3-4, for **direct-drive** motor.)

See **CODE 17**, page 3-4, for contactors for 1 phase and 3 phase motors with internal overloads. Motors in the tables on pages 6-8 that are highlighted in gray **do not** have internal overload protection and **must be used** with the motor starter and overload listed in the table. Starters and overloads listed for the motors not highlighted are optional.

Replacement IEC Starters and Overloads (listed by motor)

When ordering a replacement IEC starter (contactor) or overload, check the manufacturer's number on both parts. If the number is different than that listed, both components must be replaced. IEC starter (contactor) and overload are mounted on rail, **P/N 111387**. Replacement holding coils (240V) are listed on page 8.

IEC Starter (Contactor)



IEC Adjustable Overload



Code 45 - MOTOR										Code 46 - Starter OVERLOAD				Code 47 - STARTER	
Type	HP	P/N	Mfr	fla	volt	ph	Service Factor	Power Factor	EFF %	o.l. min	o.l. max	GE #	P/N	Contactor	P/N
OPEN	1/3	202091	AOS-BF2034	3.0	208	1	1.35			2.50	4.10	RTA1-K	151190	CL00A310T-L	151150
OPEN	1/3	202091	AOS-BF2034	3.0	240	1	1.35			2.50	4.10	RTA1-K	151190	CL00A310T-S	151147
OPEN	1/3	115863	M3007	1.9	208	3	1.35			1.00	1.50	RTA1-G	151187	CL00A310T-L	151150
OPEN	1/3	115863	M3007	1.6	240	3	1.35			1.30	1.90	RTA1-H	151188	CL00A310T-S	151147
OPEN	1/3	115863	M3007	0.8	480	3	1.35			0.65	1.10	RTA1-F	151186	CL00A310T-S	151147
OPEN	0.5	102627	AOS-BF2054	5.1	208	1	1.15			4.00	6.30	RTA1-L	151191	CL00A310T-L	151150
OPEN	0.5	102627	AOS-BF2054	4.4	240	1	1.15			4.00	6.30	RTA1-L	151191	CL00A310T-S	151147
OPEN	0.5	159183	AOS-H880	2.5	208	3	1.25			1.80	2.70	RTA1-J	151189	CL00A310T-L	151150
OPEN	0.5	159183	AOS-H880	3.0	240	3	1.25			2.50	4.10	RTA1-K	151190	CL00A310T-S	151147
OPEN	0.5	159183	AOS-H880	1.5	480	3	1.25			1.30	1.90	RTA1-H	151188	CL00A310T-S	151147
OPEN	0.75	93548	AOS-C426V1	5.5	208	1	1.25			5.50	8.50	RTA1-M	151192	CL00A310T-L	151150
OPEN	0.75	93548	AOS-C426V1	5.4	240	1	1.25			4.00	6.30	RTA1-L	151191	CL00A310T-S	151147
OPEN	0.75	36951	AOS-312P696	2.9	208	3	1.25			2.50	4.10	RTA1-K	151190	CL00A310T-L	151150
OPEN	0.75	36951	AOS-312P696	2.6	240	3	1.25			2.50	4.10	RTA1-K	151190	CL00A310T-S	151147
OPEN	0.75	36951	AOS-312P696	1.3	480	3	1.25			1.00	1.50	RTA1-G	151187	CL00A310T-S	151147
OPEN	1.0	13685	AOS-C523	7.5	208	1	1.25			5.50	8.50	RTA1-M	151192	CL00A310T-L	151150
OPEN	1.0	13685	AOS-C523	6.5	240	1	1.25			5.50	8.50	RTA1-M	151192	CL00A310T-S	151147
OPEN	1.0	36580	AOS-H882	3.7	208	3	1.15		79	2.50	4.10	RTA1-K	151190	CL00A310T-L	151150
OPEN	1.0	36580	AOS-H882	3.2	240	3	1.15		79	2.50	4.10	RTA1-K	151190	CL00A310T-S	151147
OPEN	1.0	36580	AOS-H882	1.6	480	3	1.15		79	1.30	1.90	RTA1-H	151188	CL00A310T-S	151147
OPEN	1.0	158175	AOS-E1006	1.1	575	3	1.15		82.50	1.00	1.50	RTA1-G	151187	CL00A310T-S	151147
OPEN	1.5	194202	AOS-C621	7.8	208	1	1.2	86.4	77.20	5.50	8.50	RTA1-M	151192	CL00A310T-L	151150
OPEN	1.5	194202	AOS-C621	7.5	240	1	1.2	86.4	77.20	5.50	8.50	RTA1-M	151192	CL00A310T-S	151147
OPEN	1.5	115859	AOS-H884	5.6	208	3	1.15	66.4	78.60	4.00	6.30	RTA1-L	151191	CL00A310T-L	151150
OPEN	1.5	115859	AOS-H884	5	240	3	1.15	66.4	78.60	4.00	6.30	RTA1-L	151191	CL00A310T-S	151147
OPEN	1.5	115859	AOS-H884	2.8	480	3	1.15	66.4	78.60	2.50	4.10	RTA1-K	151190	CL00A310T-S	151147
OPEN	1.5	158162	AOS-E1007	1.6	575	3	1.15	85.3	84.00	1.30	1.90	RTA1-H	151188	CL00A310T-S	151147
OPEN	2.0	202581	AOS-RB1204A	12.3	208	1	1.15			8.00	12.00	RTA1-N	151193	CL01A310T-L	151155
OPEN	2.0	202581	AOS-RB1204A	12.3	240	1	1.15			8.00	12.00	RTA1-N	151193	CL01A310T-S	151152
OPEN	2.0	159327	AOS-H886	7	208	3	1.15	67	79%	5.50	8.50	RTA1-M	151192	CL00A310T-L	151150
OPEN	2.0	159327	AOS-H886	6.6	240	3	1.15	67	79%	5.50	8.50	RTA1-M	151192	CL00A310T-S	151147
OPEN	2.0	159327	AOS-H886	3.5	480	3	1.15	67	79%	2.50	4.10	RTA1-K	151190	CL00A310T-S	151147
OPEN	2.0	158176	AOS-E1008	2.1	575	3	1.15	86	84.00	1.80	2.70	RTA1-J	151189	CL00A310T-S	151147
OPEN	3.0	111560	AOS-B735	13.7	208	1	1.15			10.00	16.00	RTA1-P	151194	CL02A310T-L	151159
OPEN	3.0	111560	AOS-B735	12.4	240	1	1.15			10.00	16.00	RTA1-P	151194	CL01A310T-S	151152
OPEN	3.0	159185	AOS-H845	9	208	3	1.15			8.00	12.00	RTA1-N	151193	CL00A310T-L	151150
OPEN	3.0	159185	AOS-H845	8.6	240	3	1.15			8.00	12.00	RTA1-N	151193	CL00A310T-S	151147
OPEN	3.0	159185	AOS-H845	4.3	480	3	1.15			4.00	6.30	RTA1-L	151191	CL00A310T-S	151147
OPEN	3.0	120019	AOS-H954	3.6	575	3	1.15	80.3	83.80	2.50	4.10	RTA1-K	151190	CL00A310T-S	151147
OPEN	5.0	111562	AOS-V211	28.3	208	1	1.15			25.00	32.00	RTA1-V	151199	CL04A310M-L	151169
OPEN	5.0	111562	AOS-V211	25.6	240	1	1.15			25.00	32.00	RTA1-V	151199	CL04A310M-S	151166
OPEN	5.0	113371	AOS-196033	13.4	208	3	1.15	87.2	85	10.00	16.00	RTA1-P	151194	CL01A310T-L	151155
OPEN	5.0	113371	AOS-196033	13.2	240	3	1.15	87.2	85	10.00	16.00	RTA1-P	151194	CL01A310T-S	151152
OPEN	5.0	113371	AOS-196033	6.6	480	3	1.15	87.2	85	5.50	8.50	RTA1-M	151192	CL01A310T-S	151152
OPEN	5.0	120020	AOS-H956	5.4	575	3	1.15	85.9	85.30	4.00	6.30	RTA1-L	151191	CL01A310T-S	151152
TEFC	1/3	159501	AOS-C151	2.3	208	1				1.90	2.70	RTA1-J	151189	CL00A310T-L	151150
TEFC	1/3	159501	AOS-C151	2.4	240	1				1.90	2.70	RTA1-J	151189	CL00A310T-S	151147
TEFC	1/3	105567	AOS-H261	1.2	208	3	1.00			1.00	1.50	RTA1-G	151187	CL00A310T-L	151150
TEFC	1/3	105567	AOS-H261	1.2	240	3	1.00			1.00	1.50	RTA1-G	151187	CL00A310T-S	151147
TEFC	1/3	105567	AOS-H261	0.6	480	3	1			0.40	0.65	RTA1-D	151184	CL00A310T-S	151147

Replacement Belt-Driven Blower Motors and Starters (cont'd)

Code 45 - MOTOR										Code 46 - Starter OVERLOAD				Code 47 - STARTER	
Type	HP	P/N	Mfr	fla	volt	ph	Service Factor	Power Factor	EFF %	o.l. min	o.l. max	GE #	P/N	Contactor	P/N
TEFC	0.5	159184	AOS-C613	3.5	208	1				2.50	4.10	RTA1-K	151190	CL00A310T-L	151150
TEFC	0.5	159184	AOS-C613	3.6	240	1				2.50	4.10	RTA1-K	151190	CL00A310T-S	151147
TEFC	0.5	16077	AOS-H274	2.3	208	3	1	59.5	74.80	1.80	2.70	RTA1-J	151189	CL00A310T-L	151150
TEFC	0.5	16077	AOS-H274	2	240	3	1	59.5	74.80	1.80	2.70	RTA1-J	151189	CL00A310T-S	151147
TEFC	0.5	16077	AOS-H274	1	480	3	1	59.5	74.80	0.65	1.10	RTA1-F	151186	CL00A310T-S	151147
TEFC	0.5	105568	AOS-H276	0.7	575	3	1.15	76.4	77	0.65	1.10	RTA1-F	151186	CL00A310T-S	151147
TEFC	0.75	115860	AOS-F353	5.4	208	1	1			4.00	6.30	RTA1-L	151191	CL00A310T-L	151150
TEFC	0.75	115860	AOS-F353	5.5	240	1	1			4.00	6.30	RTA1-L	151191	CL00A310T-S	151147
TEFC	0.75	20371	AOS-H580	2	208	3	1	73.5	81.10	1.80	2.70	RTA1-J	151189	CL00A310T-L	151150
TEFC	0.75	20371	AOS-H580	2.2	240	3	1	73.5	81.10	1.80	2.70	RTA1-J	151189	CL00A310T-S	151147
TEFC	0.75	20371	AOS-H580	1.1	480	3	1	73.5	81.10	1.00	1.50	RTA1-G	151187	CL00A310T-S	151147
TEFC	0.75	105569	AOS-H461	0.8	575	3	1.15	78.3	82	0.65	1.10	RTA1-F	151186	CL00A310T-S	151147
TEFC	1.0	174993	AOS-159105	6	240	1	1.15			5.50	8.50	RTA1-M	151192	CL00A310T-S	151147
TEFC	1.0	16080	AOS-H524	3.3	208	3	1	74.4	80.20	2.50	4.10	RTA1-K	151190	CL00A310T-L	151150
TEFC	1.0	16080	AOS-H524	3.4	240	3	1	74.4	80.20	2.50	4.10	RTA1-K	151190	CL00A310T-S	151147
TEFC	1.0	16080	AOS-H524	1.7	480	3	1	74.4	80.20	1.30	1.90	RTA1-H	151188	CL00A310T-S	151147
TEFC	1.0	105570	AOS-H525	1.4	575	3	1.15	71.6	80.40	1.00	1.50	RTA1-G	151187	CL00A310T-S	151147
TEFC	1.5	94347	AOS-C686	9.5	208	1				8.00	12.00	RTA1-N	151193	CL00A310T-L	151150
TEFC	1.5	94347	AOS-C686	8.2	240	1				8.00	12.00	RTA1-N	151193	CL00A310T-S	151147
TEFC	1.5	101286	AOS-H535	4.3	208	3	1	80.9	82.40	4.00	6.30	RTA1-L	151191	CL00A310T-L	151150
TEFC	1.5	101286	AOS-H535	4.4	240	3	1	80.9	82.40	4.00	6.30	RTA1-L	151191	CL00A310T-S	151147
TEFC	1.5	101286	AOS-H535	2.2	480	3	1	80.9	82.40	1.80	2.70	RTA1-J	151189	CL00A310T-S	151147
TEFC	1.5	105665	AOS-E127	1.6	575	3	1.15	85.7	84	1.30	1.90	RTA1-H	151188	CL00A310T-S	151147
TEFC	2.0	205881	L3516TM	8.3	240	1	1.15	99	78	10.00	16.00	RTA1-P	151194	CL01A310T-S	151152
TEFC	2.0	158165	B-M3587T	6.3	208	3				5.50	8.50	RTA1-M	151192	CL00A310T-L	151150
TEFC	2.0	158165	B-M3587T	5.8	240	3				4.00	6.30	RTA1-L	151191	CL00A310T-S	151147
TEFC	2.0	158165	B-M3587T	2.9	480	3				2.50	4.10	RTA1-K	151190	CL00A310T-S	151147
TEFC	2.0	158166	B-M3587T-5	2.2	575	3				1.90	2.70	RTA1-J	151189	CL00A310T-S	151147
TEFC	3.0	111564	AOS-K222	15	240	1	1			10.00	16.00	RTA1-P	151194	CL02A310T-S	151157
TEFC	3.0	159330	B - M3559T	7.9	208	3				5.50	8.50	RTA1-M	151192	CL00A310T-L	151150
TEFC	3.0	159330	B - M3559T	7.2	240	3				5.50	8.50	RTA1-M	151192	CL00A310T-S	151147
TEFC	3.0	159330	B - M3559T	3.6	480	3				2.50	4.10	RTA1-K	151190	CL00A310T-S	151147
TEFC	3.0	158168	B-M3660T-5	3	575	3				2.50	4.10	RTA1-K	151190	CL00A310T-S	151147
TEFC	5.0	111567	AOS-K223	20.2	240	1	1			21.00	26.00	RTA1-U	151198	CL04A310M-S	151166
TEFC	5.0	155048	B-3663T	12.8	208	3				14.50	18.00	RTA1-S	151196	CL01A310T-L	151155
TEFC	5.0	155048	B-3663T	11.8	240	3				10.00	16.00	RTA1-P	151194	CL01A310T-S	151152
TEFC	5.0	155048	B-3663T	5.9	480	3				4.00	6.30	RTA1-L	151191	CL01A310T-S	151152
TEFC	5.0	158170	B-3663T-5	4.8	575	3				4.00	6.30	RTA1-L	151191	CL01A310T-S	151152

Code 48 - Replacement Holding Coils for Starter Overloads

Voltage	GE #	P/N	For Use with Contactors Beginning with GE#	Voltage	GE #	P/N	For Use with Contactors Beginning with GE#	Voltage	GE #	P/N	For Use with Contactors Beginning with GE#
24	LB1A-C	151280	CL00; CL01; CL02; CL25	24	LB3A-C	151286	CL04; CL45	208	LB4A-L	151292	CL06; CL07; CL08; CL09;
120	LB1A-J	151281		120	LB3A-J	151287		230	LB4A-S	151293	
208	LB1A-L	151282		208	LB3A-L	151288		460	LB4A-U	151294	
230	LB1A-S	151283		230	LB3A-S	151289					
460	LB1A-U	151284		460	LB3A-U	151290					
575	LB1A-Y	151285		575	LB3A-Y	151291					

Components of Belt Drives

The drive components include the belt, the motor pulley, the blower pulley, and bushings, if required. The table at the right identifies the RPM range of the drive option. Drive options are listed by AM No. in the Drive Tables.

Belt Tension - Check belt tension. Proper belt tension is important to the long life of the belt and motor. A loose belt will cause wear and slippage. Too much tension will cause excessive motor and blower bearing wear.

If adjustment is required, adjust belt tension by means of the adjusting screw on the motor base until the belt can be depressed 1/2" to 3/4". Tighten the lock nut on the adjusting screw. Be sure the belt is aligned in the pulleys.

Option	RPM Range	Option	RPM Range	Option	Voltage
AM2	451-500	AM13	1001-1050	AK2	208V/1Ph/60Hz
AM3	501-550	AM14	1051-1100	AK3	230V/1Ph/60Hz
AM4	551-600	AM15	1101-1150	AK5	208V/3Ph/60Hz
AM5	601-650	AM16	1151-1200	AK6	230V/3Ph/60Hz
AM6	651-700	AM17	1201-1250	AK7	460V/3Ph/60Hz
AM7	701-750	AM18	1251-1300	AK8	575V/3Ph/60Hz
AM8	751-800	AM19	1301-1350		
AM9	801-850	AM20	1351-1400		
AM10	851-900	AM21	1401-1450		
AM11	901-950	AM22	1451-1500		
AM12	951-1000	AM23	1501-1550		

Drive Table for OPEN MOTORS - Model CAUA

CAUA Size	MOTOR			AM Nos. (See Key above.)	CODE 50 - Motor Pulley			CODE 51 - Blower Pulley			CODE 52 - Belt	
	HP	Opt No.	Voltage (See Key page 8.)		P/N	Mfr No.	Bore	P/N	Mfr No.	Bore	P/N	Mfr No.
150	1/3	AL3	AK2,3,5,6,7	AM1, AM2, AM3, AM4 AM5, AM6	4074	1VL34	1/2"	19111	AK84	1"	50472	A45
	1/2	AL4	AK2,3,5,6,7	AM5, AM6, AM7, AM8	13580	1VL34	5/8"	18797	AK64	1"	101412	A42
	3/4	AL5	AK2,3,5,6,7	AM7, AM8, AM9, AM10, AM11	13580	1VL34	5/8"	135202	AK54	1"	16019	A40
	1	AL6	AK2,3,5,6,7	AM10, AM11, AM12, AM13	13580	1VL34	5/8"	105481	AK46	1"	105493	A39
	1	AL6	AK8	AM10, AM11, AM12, AM13	110125	1VP34	7/8"	105481	AK46	1"	105493	A39
	1-1/2	AL7	AK2,3,5,6,7	AM11, AM12, AM13, AM14, AM15, AM16	7962	1VL40	5/8"	135202	AK54	1"	101412	A42
	1-1/2	AL7	AK8	AM11, AM12, AM13, AM14, AM15, AM16	106748	1VL40	7/8"	135202	AK54	1"	101412	A42
	2	AL8	AK2,3,5,6,7,8	AM17	106748	1VL40	7/8"	135200	AK51	1"	50500	A41
200	1/3	AL3	AK2,3,5,6,7	AM3	4074	1VL34	1/2"	19111	AK84	1"	50472	A45
	1/2	AL4	AK2,3,5,6,7	AM5, AM6, AM7	13580	1VL34	5/8"	105483	AK69	1"	50470	A43
	3/4	AL5	AK2,3,5,6,7	AM6, AM7, AM8, AM9, AM10	13580	1VL34	5/8"	105482	AK56	1"	50500	A41
	1	AL6	AK2,3,5,6,7	AM7, AM8, AM9, AM10, AM11	13580	1VL34	5/8"	105482	AK56	1"	50500	A41
	1	AL6	AK8	AM7, AM8, AM9, AM10, AM11	110125	1VP34	7/8"	105482	AK56	1"	50500	A41
	1-1/2	AL7	AK2,3,5,6,7	AM9, AM10, AM11, AM12, AM13, AM14	7962	1VL40	5/8"	115716	AK59	1"	50470	A43
	1-1/2	AL7	AK8	AM9, AM10, AM11, AM12, AM13, AM14	106748	1VL40	7/8"	115716	AK59	1"	50470	A43
	2	AL8	AK2,3,5,6,7,8	AM13, AM14, AM15, AM16	106748	1VL40	7/8"	135202	AK54	1"	101412	A42
250	1/3	AL3	AK2,3,5,6,7	AM3	4074	1VL34	1/2"	19111	AK84	1"	50473	A46
	1/2	AL4	AK2,3,5,6,7	AM4, AM5, AM6, AM7	13580	1VL34	5/8"	135279	AK66	1"	101412	A42
	3/4	AL5	AK2,3,5,6,7	AM6, AM7, AM8, AM9, AM10	13580	1VL34	5/8"	115716	AK59	1"	101412	A42
	1	AL6	AK2,3,5,6,7	AM7, AM8, AM9, AM10, AM11	13580	1VL34	5/8"	135202	AK54	1"	50500	A41
	1	AL6	AK8	AM7, AM8, AM9, AM10, AM11	110125	1VP34	7/8"	135202	AK54	1"	50500	A41
	1-1/2	AL7	AK2,3,5,6,7	AM9, AM10, AM11, AM12 AM13, AM14, AM15	7962	1VL40	5/8"	18797	AK64	1"	52966	A44
	1-1/2	AL7	AK8	AM9, AM10, AM11, AM12 AM13, AM14, AM15	106748	1VL40	7/8"	18797	AK64	1"	52966	A44
	2	AL8	AK2,3,5,6,7,8	AM13, AM14, AM15, AM16, AM17, AM18	106748	1VL40	7/8"	111689	AK49	1"	50500	A41
	3	AL9	AK2,3	AM17, AM18, AM19, AM20, AM21, AM22	7962	1VL40	5/8"	19111	AK84	1"	50474	A47
	3	AL9	AK5,6,7,8	AM17, AM18, AM19, AM20, AM21, AM22	106748	1VL40	7/8"	19111	AK84	1"	50474	A47
	3	AL9	AK5,6,7,8	AM17, AM18, AM19, AM20, AM21, AM22	106748	1VL40	7/8"	19111	AK84	1"	50474	A47
300	1/3	AL3	AK2,3,5,6,7	AM3	4074	1VL34	1/2"	111609	AK99	1"	50475	A49
	1/2	AL4	AK2,3,5,6,7	AM4, AM5	13580	1VL34	5/8"	19111	AK84	1"	50473	A46
	3/4	AL5	AK2,3,5,6,7	AM5, AM6, AM7, AM8	13580	1VL34	5/8"	135279	AK66	1"	50470	A43
	1	AL6	AK2,3,5,6,7	AM7, AM8, AM9, AM10, AM11, AM12	13580	1VL34	5/8"	135202	AK54	1"	16019	A40
	1	AL6	AK8	AM7, AM8, AM9, AM10, AM11, AM12	110125	1VP34	7/8"	135202	AK54	1"	16019	A40
	1-1/2	AL7	AK2,3,5,6,7	AM9, AM10, AM11, AM12, AM13, AM14	13580	1VL34	5/8"	111689	AK49	1"	16019	A40
	1-1/2	AL7	AK8	AM9, AM10, AM11, AM12, AM13, AM14	110125	1VP34	7/8"	111689	AK49	1"	16019	A40
	2	AL8	AK2,3,5,6,7,8	AM10, AM11, AM12, AM13 AM14, AM15, AM16	106748	1VL40	7/8"	115716	AK59	1"	50470	A43
				106758	1VL44	7/8"	105482	AK56	1"	101412	A42	

Components of Belt Drives (cont'd)

Drive Table for OPEN MOTORS (cont'd)												
CAUA Size	MOTOR			AM Nos. (See Key page 8.)	CODE 50 - Motor Pulley			CODE 51 - Blower Pulley			CODE 52 - Belt	
	HP	Opt No.	Voltage (See Key page 8.)		P/N	Mfr No.	Bore	P/N	Mfr No.	Bore	P/N	Mfr No.
300	3	AL9	AK2,3	AM15, AM16, AM17, AM18, AM19, AM20	105476	1VL44	5/8"	111609	AK99	1"	88558	A50
	3	AL9	AK5,6,7,8	AM15, AM16, AM17, AM18, AM19, AM20	106758	1VL44	7/8"	111609	AK99	1"	88558	A50
	5	AL10	AK2,3	AM20, AM21, AM22, AM23	111681	1VP50	1-1/8"	111609	AK99	1"	50475	A49
	5	AL10	AK5,6,7,8	AM20, AM21, AM22, AM23	37451	1VM50	7/8"	111609	AK99	1"	50475	A49
350	3/4	AL5	AK2,3,5,6,7	AM2, AM3, AM4	13580	1VL34	5/8"	19111	AK84	1"	50476	A58
	1	AL6	AK2,3,5,6,7	AM4, AM5, AM6, AM7	13580	1VL34	5/8"	18797	AK64	1"	16131	A54
	1	AL6	AK8	AM4, AM5, AM6, AM7	110125	1VP34	7/8"	18797	AK64	1"	16131	A54
	1-1/2	AL7	AK2,3,5,6,7	AM6, AM7, AM8, AM9, AM10	13580	1VL34	5/8"	115716	AK59	1"	16130	A53
	1-1/2	AL7	AK8	AM6, AM7, AM8, AM9, AM10	110125	1VP34	7/8"	115716	AK59	1"	16130	A53
	2	AL8	AK2,3,5,6,7,8	AM7, AM8, AM9	106758	1VL44	7/8"	19111	AK84	1"	92402	A59
				AM10, AM11, AM12	106758	1VL44	7/8"	135279	AK66	1"	16133	A56
	3	AL9	AK2,3	AM8, AM9, AM10	7962	1VL40	5/8"	50520	AK134	1"	92408	A68
				AM11, AM12, AM13, AM14	7962	1VL40	5/8"	16153	AK104	1"	16137	A62
	3	AL9	AK5,6,7,8	AM8, AM9, AM10	106748	1VL40	7/8"	50520	AK134	1"	92408	A68
				AM11, AM12, AM13, AM14	106748	1VL40	7/8"	16153	AK104	1"	16137	A62
	5	AL10	AK2,3	AM13, AM14, AM15, AM16	111681	1VP50	1-1/8"	50520	AK134	1"	16558	A69
AM17, AM18, AM19				110151	1VP44	1-1/8"	111609	AK99	1"	16137	A62	
5	AL10	AK5,6,7,8	AM13, AM14, AM15, AM16	37451	1VM50	7/8"	50520	AK134	1"	16558	A69	
			AM17, AM18, AM19	106758	1VL44	7/8"	111609	AK99	1"	16137	A62	
400	3/4	AL5	AK2,3,5,6,7	AM3	13580	1VL34	5/8"	19111	AK84	1"	50476	A58
	1	AL6	AK2,3,5,6,7	AM4, AM5, AM6, AM7	13580	1VL34	5/8"	18797	AK64	1"	16131	A54
	1	AL6	AK8	AM4, AM5, AM6, AM7	110125	1VP34	7/8"	18797	AK64	1"	16131	A54
	1-1/2	AL7	AK2,3,5,6,7	AM6, AM7, AM8, AM9, AM10	13580	1VL34	5/8"	115716	AK59	1"	16130	A53
	1-1/2	AL7	AK8	AM6, AM7, AM8, AM9, AM10	110125	1VP34	7/8"	115716	AK59	1"	16130	A53
	2	AL8	AK2,3,5,6,7,8	AM7, AM8, AM9	106758	1VL44	7/8"	19111	AK84	1"	92402	A59
				AM10, AM11	106758	1VL44	7/8"	135279	AK66	1"	16133	A56
	3	AL9	AK2,3	AM8, AM9, AM10	7962	1VL40	5/8"	50520	AK134	1"	92408	A68
				AM11, AM12, AM13, AM14, AM15	7962	1VL40	5/8"	16153	AK104	1"	16137	A62
	3	AL9	AK5,6,7,8	AM8, AM9, AM10	106748	1VL40	7/8"	50520	AK134	1"	92408	A68
				AM11, AM12, AM13, AM14, AM15	106748	1VL40	7/8"	16153	AK104	1"	16137	A62
	5	AL10	AK2,3	AM12, AM14, AM15, AM16	111681	1VP50	1-1/8"	50520	AK134	1"	16558	A69
AM17, AM18, AM19				110151	1VP44	1-1/8"	111609	AK99	1"	16137	A62	
5	AL10	AK5,6,7,8	AM12, AM14, AM15, AM16	37451	1VM50	7/8"	50520	AK134	1"	16558	A69	
			AM17, AM18, AM19	106758	1VL44	7/8"	111609	AK99	1"	16137	A62	

Drive Table for TEFC MOTORS - Model CAUA												
CAUA Size	MOTOR			AM Nos. (See Key page 8.)	CODE 50 - Motor Pulley			CODE 51 - Blower Pulley			CODE 52 - Belt	
	HP	Opt No.	Voltage (See Key page 8.)		P/N	Mfr No.	Bore	P/N	Mfr No.	Bore	P/N	Mfr No.
150	1/3	AL20	AK2,3,5,6,7	AM1, AM2, AM3, AM4	4074	1VL34	1/2"	19111	AK84	1"	50472	A45
				AM5, AM6	4074	1VL34	1/2"	18797	AK64	1"	101412	A42
	1/2	AL21	AK2,3,5,6,7,8	AM5, AM6, AM7, AM8	13580	1VL34	5/8"	18797	AK64	1"	101412	A42
	3/4	AL22	AK2,3,5,6,7,8	AM7, AM8, AM9, AM10, AM11	13580	1VL34	5/8"	135202	AK54	1"	16019	A40
	1	AL23	AK3,5,6,7,8	AM10, AM11, AM12, AM13	13580	1VL34	5/8"	105481	AK46	1"	105493	A39
	1-1/2	AL24	AK2,3,5,6,7	AM11, AM12, AM13, AM14, AM15, AM16	7962	1VL40	5/8"	135202	AK54	1"	101412	A42
	1-1/2	AL24	AK8	AM11, AM12, AM13, AM14, AM15, AM16	106748	1VL40	7/8"	135202	AK54	1"	101412	A42
2	AL25	AK3,5,6,7,8	AM17	106748	1VL40	7/8"	135200	AK51	1"	50500	A41	
200	1/3	AL20	AK2,3,5,6,7	AM3	4074	1VL34	1/2"	19111	AK84	1"	50472	A45
	1/2	AL21	AK2,3,5,6,7,8	AM5, AM6, AM7	13580	1VL34	5/8"	105483	AK69	1"	50470	A43
	3/4	AL22	AK2,3,5,6,7,8	AM6, AM7, AM8, AM9, AM10	13580	1VL34	5/8"	105482	AK56	1"	50500	A41
	1	AL23	AK3,5,6,7,8	AM7, AM8, AM9, AM10, AM11	13580	1VL34	5/8"	105482	AK56	1"	50500	A41
	1-1/2	AL24	AK2,3,5,6,7	AM9, AM10, AM11, AM12, AM13, AM14	7962	1VL40	5/8"	115716	AK59	1"	50470	A43
	1-1/2	AL24	AK8	AM9, AM10, AM11, AM12, AM13, AM14	106748	1VL40	7/8"	115716	AK59	1"	50470	A43
	2	AL25	AK3,5,6,7,8	AM13, AM14, AM15, AM16	106748	1VL40	7/8"	135202	AK54	1"	101412	A42

Drive Table for TEFC MOTORS (cont'd)

CAUA Size	MOTOR			AM Nos. (See Key page 8.)	CODE 50 - Motor Pulley			CODE 51 - Blower Pulley			CODE 52 - Belt	
	HP	Opt No.	Voltage (See Key page 8.)		P/N	Mfr No.	Bore	P/N	Mfr No.	Bore	P/N	Mfr No.
250	1/3	AL20	AK2,3,5,6,7	AM3	4074	1VL34	1/2"	19111	AK84	1"	50473	A46
	1/2	AL21	AK2,3,5,6,7,8	AM4, AM5, AM6, AM7	13580	1VL34	5/8"	135279	AK66	1"	101412	A42
	3/4	AL22	AK2,3,5,6,7,8	AM6, AM7, AM8, AM9, AM10	13580	1VL34	5/8"	115716	AK59	1"	101412	A42
	1	AL23	AK3,5,6,7,8	AM7, AM8, AM9, AM10, AM11	13580	1VL34	5/8"	135202	AK54	1"	50500	A41
	1-1/2	AL24	AK2,3,5,6,7	AM9, AM10, AM11, AM12	7962	1VL40	5/8"	18797	AK64	1"	52966	A44
				AM13, AM14, AM15	7962	1VL40	5/8"	135202	AK54	1"	101412	A42
	1-1/2	AL24	AK8	AM9, AM10, AM11, AM12	106748	1VL40	7/8"	18797	AK64	1"	52966	A44
				AM13, AM14, AM15	106748	1VL40	7/8"	135202	AK54	1"	101412	A42
	2	AL25	AK3,5,6,7,8	AM13, AM14, AM15, AM16, AM17, AM18	106748	1VL40	7/8"	111689	AK49	1"	50500	A41
3	AL26	AK3,8	AM17, AM18, AM19, AM20, AM21, AM22	110151	1VP44	1-1/8"						
3	AL26	AK5,6,7	AM17, AM18, AM19, AM20, AM21, AM22	106748	1VL40	7/8"	19111	AK84	1"	50474	A47	
300	1/3	AL20	AK2,3,5,6,7	AM3	4074	1VL34	1/2"	111609	AK99	1"	50475	A49
	1/2	AL21	AK2,3,5,6,7,8	AM4, AM5	13580	1VL34	5/8"	19111	AK84	1"	50473	A46
	3/4	AL22	AK2,3,5,6,7,8	AM5, AM6, AM7, AM8	13580	1VL34	5/8"	135279	AK66	1"	50470	A43
	1	AL23	AK3,5,6,7,8	AM7, AM8, AM9, AM10, AM11, AM12	13580	1VL34	5/8"	135202	AK54	1"	16019	A40
	1-1/2	AL24	AK2,3,5,6,7	AM9, AM10, AM11, AM12, AM13, AM14	13580	1VL34	5/8"	111689	AK49	1"	16019	A40
	1-1/2	AL24	AK8	AM9, AM10, AM11, AM12, AM13, AM14	110125	1VP34	7/8"	111689	AK49	1"	16019	A40
	2	AL25	AK3,5,6,7,8	AM10, AM11, AM12, AM13	106748	1VL40	7/8"	115716	AK59	1"	50470	A43
				AM14, AM15, AM16	106758	1VL44	7/8"	105482	AK56	1"	101412	A42
	3	AL26	AK3,8	AM15, AM16, AM17, AM18, AM19, AM20	110151	1VP44	1-1/8"	111609	AK99	1"	88558	A50
3	AL26	AK5,6,7	AM15, AM16, AM17, AM18, AM19, AM20	106748	1VL44	7/8"	111609	AK99	1"	88558	A50	
5	AL27	AK3,5,6,7,8	AM20, AM21, AM22, AM23	111681	1VP50	1-1/8"	111609	AK99	1"	50475	A49	
350	3/4	AL22	AK2,3,5,6,7,8	AM2, AM3, AM4	13580	1VL34	5/8"	19111	AK84	1"	50476	A58
	1	AL23	AK2,3,5,6,7,8	AM4, AM5, AM6, AM7	13580	1VL34	5/8"	18797	AK64	1"	16131	A54
	1-1/2	AL24	AK2,3,5,6,7	AM6, AM7, AM8, AM9, AM10	13580	1VL34	5/8"	115716	AK59	1"	16130	A53
	1-1/2	AL24	AK8	AM6, AM7, AM8, AM9, AM10	110125	1VP34	7/8"	115716	AK59	1"	16130	A53
	2	AL25	AK3,5,6,7,8	AM7, AM8, AM9	106758	1VL44	7/8"	19111	AK84	1"	92402	A59
				AM10, AM11, AM12	106758	1VL44	7/8"	135279	AK66	1"	16133	A56
	3	AL26	AK3,8	AM8, AM9, AM10	110151	1VP44	1-1/8"	113372	AK144	1"	114257	A70
				AM11, AM12, AM13, AM14	111681	1VP50	1-1/8"	113372	AK144	1"	124347	A71
	3	AL26	AK5,6,7	AM8, AM9, AM10	106748	1VL40	7/8"	50520	AK134	1"	92408	A68
			AM11, AM12, AM13, AM14	106748	1VL40	7/8"	16153	AK104	1"	16137	A62	
5	AL27	AK3,5,6,7,8	AM13, AM14, AM15, AM16	111681	1VP50	1-1/8"	50520	AK134	1"	16558	A69	
			AM17, AM18, AM19	110151	1VP44	1-1/8"	111609	AK99	1"	16137	A62	
400	3/4	AL22	AK2,3,5,6,7,8	AM3	13580	1VL34	5/8"	19111	AK84	1"	50476	A58
	1	AL23	AK2,3,5,6,7,8	AM4, AM5, AM6, AM7	13580	1VL34	5/8"	18797	AK64	1"	16131	A54
	1-1/2	AL24	AK2,3,5,6,7	AM6, AM7, AM8, AM9, AM10	13580	1VL34	5/8"	115716	AK59	1"	16130	A53
	1-1/2	AL24	AK8	AM6, AM7, AM8, AM9, AM10	110125	1VL34	7/8"	115716	AK59	1"	16130	A53
	2	AL25	AK3,5,6,7,8	AM7, AM8, AM9	106758	1VL44	7/8"	19111	AK84	1"	92402	A59
				AM10, AM11	106758	1VL44	7/8"	135279	AK66	1"	16133	A56
	3	AL26	AK3,8	AM8, AM9, AM10, AM11	110151	1VP44	1-1/8"	113272	AK144	1"	114257	A70
				AM12, AM13, AM14, AM15	111681	1VP50	1-1/8"	50520	AK134	1"	16558	A69
	3	AL26	AK5,6,7	AM8, AM9, AM10	106748	1VL40	7/8"	50520	AK134	1"	92408	A68
			AM11, AM12, AM13, AM14, AM15	106748	1VL40	7/8"	16153	AK104	1"	16137	A62	
5	AL27	AK3,5,6,7,8	AM12, AM14, AM15, AM16	111681	1VP50	1-1/8"	50520	AK134	1"	16558	A69	
			AM17, AM18, AM19	110151	1VP44	1-1/8"	111609	AK99	1"	16137	A62	

Blower and Linkage Components for Model CAUA with a Direct-Drive Blower Motor


Quantities other than one are in parenthesis.

Code	Description	150	200	250	300	350	400
60	Blower Mount Assy (includes 60A-E)	163174	163175	163176	163177	164517	
60A	Blower Mount	160136	163425	160175		160176	
60B	Blower Mounting Angle Support	(2)160179		(4)160179		(4)170200	
60C	Blower Mount Brace	160628	160629	(2)160628			
60D	Hole Plug, Heyco #DP8753703, 7/8"	(2)16452					
60E	Air Baffle	(2)163426		(2)163430		164699	
61	Blower with Housing and Mounting Angles (includes Codes 61A-D)	163428	163429	(2)163428			
61A	Blower, Lau DD12-9-A and DD12-12-A	164323, 9"	164324, 12"	(2)164323, 9"			
61B	Blower Mounting Angle (left)	166149			(2)166149		
61C	Blower Mounting Angle (right)	166150			(2)166150		
61D	5/16-8 Threaded Insert	(4) 124260			(8) 124260		
62	Blower Motor (See Code 22, page 4.)	164329		(2)164329			
63	Motor Band, Triangle #TR5868	51221		(2)51221			
64	Motor Support Arm, Triangle #TR8053B	(3)164325		(6)164325			
65	Inlet Restrictor	165178	165179	(2)165178	(2)165180	(2)165181	(2)165179
66	Inlet Restrictor Mounting Bracket	(3)165182		(6)165182			

Blower and Components for Model CAUA with a Belt-Drive Blower Motor

Quantities other than one are in parenthesis.

CAUA with a 1/3 - 1-1/2 HP Belt Driven Motor							
Code	Description	150	200	250	300	350	400
		With 1/3 - 1-1/2 HP Motor		With 3/4 - 1-1/2 HP Motor			
70	Blower Mount Assy (includes 70A-E)	163174	163175	166744	166745	164517	
70A	Blower Mount	160136	163425	166320		160176	
70B	Blower Mounting Angle Support	(2)160179		(4)160179		(4)170200	
70C	Blower Mount Brace	160628	160629	(2)166319		(2)160628	
70D	Hole Plug, Heyco #DP8753703, 7/8"	(2)16452					
70E	Air Baffle	(2)163426		(2)163430		164699	
71	Blower Housing with Mounting Angles (includes 71A-D)	169917	169918	166128		166129	
71A	Blower, Lau	100657, #A12-9AC	1360, #A12-12AC	-	-	-	-
	Right Blower, Lau	-	-	24230, #2A10-10A		166784, #2A12-9A	
	Left Blower, Lau	-	-	24229, #2A10-10A		166785, #2A12-9A	
71B	5/16-18 Threaded Insert	(6)124260		(12)124260			
71C	Blower Mounting Angle (left side)	166149	166149	(2)166149			
71D	Blower Mounting Angle (right side)	166150	166150	(2)166150			
72	Replacement Blower Shaft	11303, 1"x22"		10121, 1" x 44-5/8"			
73	Replacement Bearings, Fafnir #RCSM-1	(2) 10437					
74	Motor Mounting Plate Assembly	166127 (see components illustrated below)					



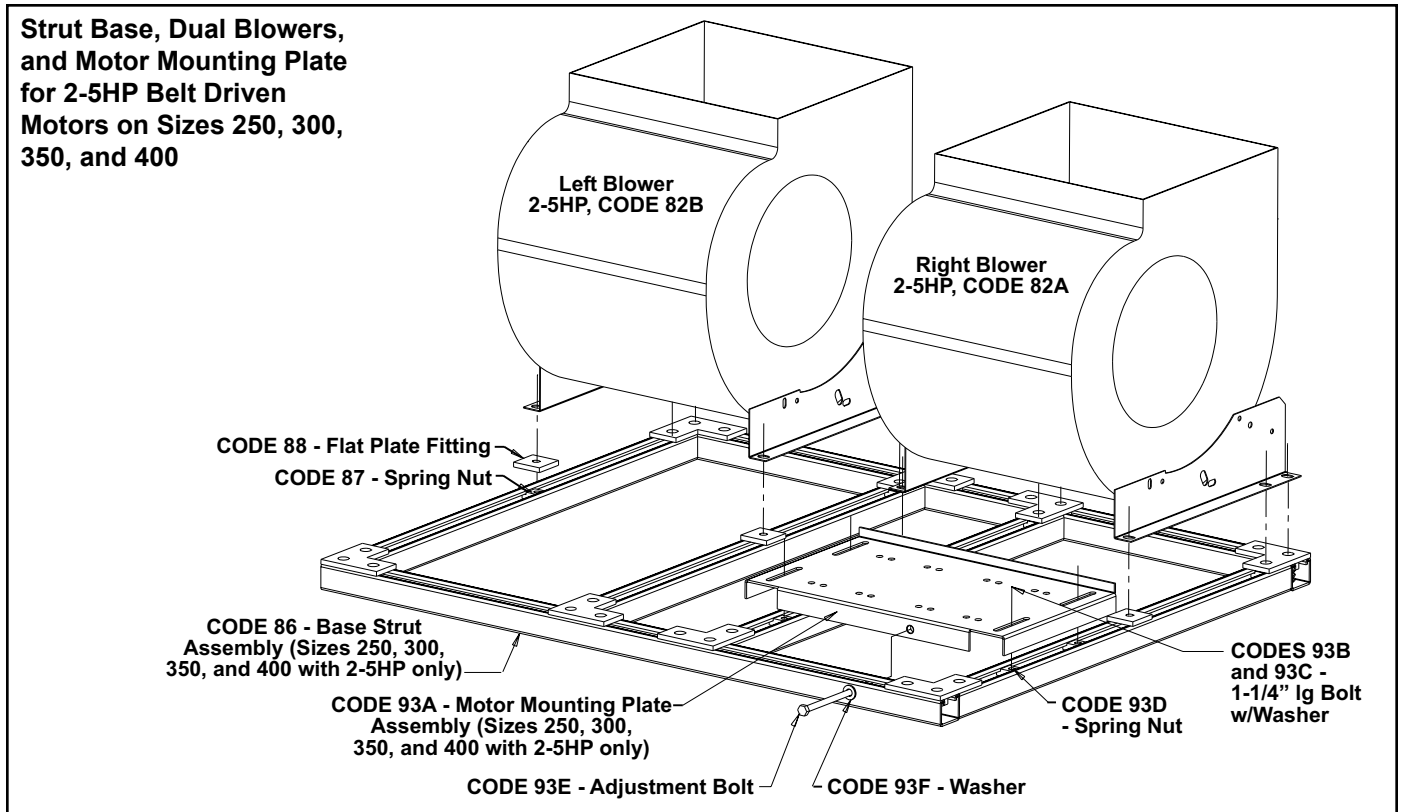
12578 Motor Mounting Plate — (2)12489 Bolts

87015 Left Support (4)16248, 1-1/2" Screws;
(8) 6554 Nuts;
(12) 1087 Washers

87016 Right Support

CAUA with a 2-5 HP Belt Driven Motor

Code	Description	150	200	250	300	350	400
		With 2 HP Motor		With 2-5 HP Motor			
80	Blower Mount Assy (includes 80A-H)	163174	163175	195080	262466	195081	
80A	Blower Mount	160136	163425	166320		160176	
80B	Blower Mounting Angle Support	(2)160179		--	--	--	--
80C	Blower Mount Brace	160628	160629				
80D	Hole Plug, Heyco #DP8753703, 7/8"	(2)16452					
80E	Air Baffle	(2)163426	(2)163426	(2)163430	(2)164699	(2)163426	
80F	Blower Discharge Connector	--	--	(2)194995	(2)194996		
80G	Gasket, Foam, 1-1/8"	--	--	(2)195085, 37"	(2)195086, 40"		
81	Blower, Lau	100657, A12-9	1360, A12-2	--	--	--	--
82A	Right Blower, Lau	--	--	24230, 2A10-10A RH		166784, 2A12-9A RH	
82B	Left Blower, Lau	--	--	24229, 2A10-10A LH		166785, 2A12-9A LH	
83	Threaded Insert, 5/16-8	(6) 124260		(8) 124260			
84	Blower Mounting Angle or Bracket (left)	166149	166149	(2)195067	--	--	
85	Blower Mounting Angle or Bracket (right)	166150	166150	(2)195068	--	--	
86	Base Strut Assembly	--	--	195003		195004	
87	Spring Nut	--	--	(4)177161	(8)177161		
88	Flat Plate Fitting	--	--	(4)178180	(8)178180		
89	5/16" Flat Washer	--	--	(4)22761	(8)22761		
90	5/16-18 x 1-1/4" Hex Head Bolt	--	--	(4)178188	(8)178188		
91	Blower Shaft	11303, 1" x 22"		10121, 1" x 44-5/8"			
	Blower Shaft Key	--	--	16099			
92	Blower Bearings, Fafnir #RCSM-1	(2)10437					
93A	Motor Mounting Plate Assembly	166127 (Code 74, page 12.)		195070		195071	
93B	Hex Head Bolt, 5/16-18 x 1-1/4" lg	--	--	(4)178188			
93C	Flat Washer	--	--	(4)22761			
93D	5/16 Spring Nut	--	--	(4)177161			
93E	Adjustment Bolt 3/8-18x6" long	--	--	49809			
93F	Flat Washer	--	--	6593			



**CAUA Cabinet Parts
(white gloss finish)
and Venter Assembly**

108 IMPORTANT: Keep or reorder Top Access Panel Retainer (P/N 174866) when ordering Code 108

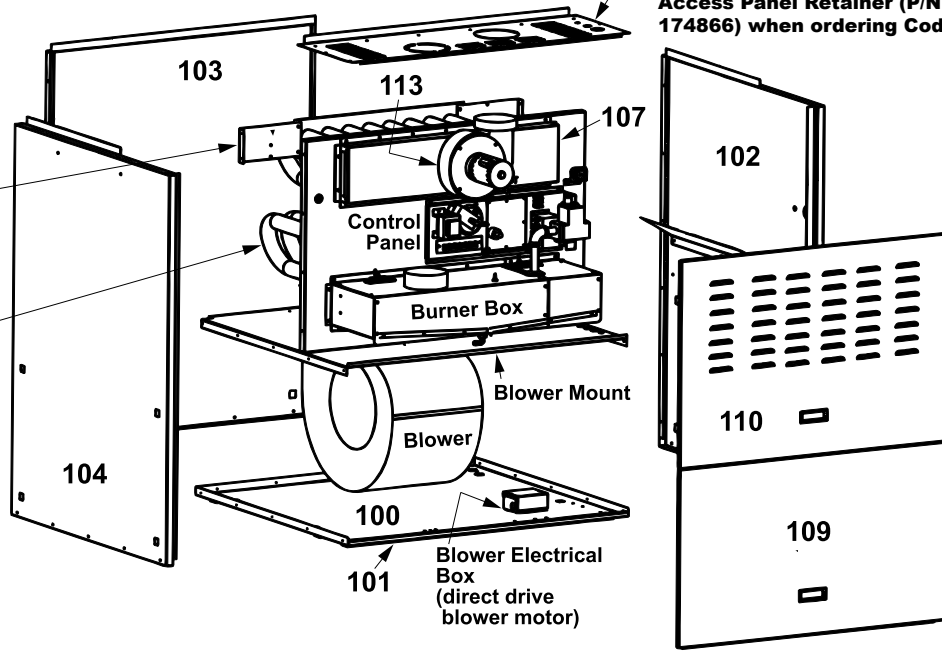
161 Tube Clamp Support
(See page 17)

Heat Exchanger Assy

CODE 111A - Vibration Isolator Pad

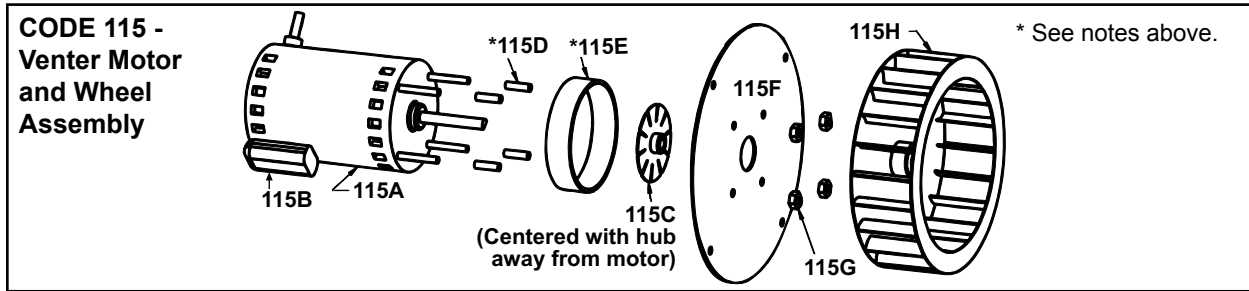


CODE 111, Vibration Isolator Kit, same as Option PC4, includes 4 pads.



Code	Description	Qty	150	200	250	300	350	400	
100	Bottom Panel	1	160133		160134		--	--	
	Bottom Panel - Front Half	1	--	--	--	--	170198		
	Bottom Panel - Rear Half (unit without inlet base)	1	--	--	--	--	170199	170199	
	Bottom Panel - Rear Half (unit with inlet base)	1	--	--	--	--	176361	176361	
100A	Insulation for Bottom Panel, CODE 100	1	177624		177627		177628		
101	Cabinet Supports (legs) - with direct drive motor	2	161155		161156				
		1	161155		161156				
	Cabinet Supports (legs) - with belt drive motor	1/3 - 1.5HP	1	195177-fmnt	195179-fmnt	195247-front			
			1	195178-rear	195180-rear	195248-rear			
	2-5HP	3	--	--	161156				
102	Left Side Panel Assy (includes panel, insulation, hole plug, and air deflector)	1	163183	163184	163451	163452	163453	164516	
102A	Left Side Panel only	1	160125				160126		
102B	5/8" Hole Plug, Heyco #DP625	1	111096						
102C	Air Deflector	1	164701	164700	164701	165017	164701	164700	
102D	Insulation in Left Side Panel Assy	1	177622 / 160896				177626 / 163173		
103	Rear Panel Assy (includes panel and insulation)	1	163170		163171		163172		
104	Right Side Panel Assy (includes panel, insulation, bushing, hole plug, and air deflector)	1	175274	175275	175276	175277	175278	175279	
104A	Right Side Panel only	1	160123				160124		
104B	Air Deflector	1	164701	164700	164701	165017	164701	164700	
104C	Insulation in Right Side Panel Assy	1 ea	177622 / 160896				177626 / 163173		
104D	1/2" Bushing	1	29871						
104E	5/8" Hole Plug, Heyco #DP625	1	111096						
105	Tube for Limit Control Capillary (not illustrated)	1	165030, 51" lg		165031, 55-1/2" lg		165032, 62-5/8" lg		
106	Limit Bracket (See limit control, CODE 28.)	1	141676						
107	Flue Wrapper Assy including gaskets	Aluminized	1	160186	160187	160188	160189	160190	160191
	Flue Wrapper Assy including gaskets and condensate drain connection	409SS (Opt AD4)	1	258960	258961	258962	258963	258964	258965
107A	Top/Bottom Gaskets for Code 107	Select match to Code 107 material	2	147651 for Aluminized Code 107; 258994 for 409SS Code 107					
107B	Side Gasket for Code 107	Select match to Code 107 material	2	161160 Alum;258995 SS		161161A;258996SS		161162A;258997SS	
107C	Hose Barb on Code 107 SS Flue Wrapper Assy		1	258998, Brass, 1/4" x 1/4" NPT male					
108	Top Panel (See Important Note in above illustration)		1	160130	160131	160194	160132		
109	Btm Access Door Assy (insulated door w/handle)		1	165046		165047			
110	Top Access Door Assy (door panel with handle)		1	165048		165049			
111	Vibration Isolator Kit (same as Option PC4)		1	166769				166770	
111A	Vibration Isolator (black isolator pad for under each corner), Kinetics Model RCB		4	166720 #120 (orange marking)				166721, #220 (green marking)	
112	Cabinet Touchup Paint		1	201805, 11 oz spray can, white					

Code	Description	Qty	150	200	250	300	350	400
113	Venter Housing Assy (housing, collar, and static pressure tap)	1	164539	164540		164541		164697
114	Venter Gasket (not illustrated)	1		155650				155649
115	Venter Motor and Wheel Assy (includes 115A-H)	1	174010		162895			164542
115A	Venter Motor	1		161416				205748
115B	Venter Motor Capacitor ONLY	1	163894			not available		
115C	Fan, PM Motor Co., 2.25" dia x 3/8" bore	1			141570			
115D	Spirol Spacer, #3 x 3/4" long	4		97721 (*discontinued use as of 10/07)				
115E	Venter Motor Support Ring	1		125346 (*width dimension changed as of 10/07)				
115F	Venter Motor Plate	1	151515			160930		
115G	Keq Nut, #8-32	4			31522			
115H	Wheel, 2" x 6-1/4" dia, 3/8" bore	1			195666			
116	Venter Motor Plate Gasket	1			155652			



Vent Cap and Vent/Combustion Air Kits (for separated combustion installation)

Code	Description	Qty	150,200	250,300,350,400
120	Vent Cap (same as Option CC1)	1	111849, 5"	111850, 6"
121	Vertical Vent/Combustion Air Kit (same as Option CC2)	1	205895	205896
121A	Concentric Adapter Assembly	1	205884	205885
121B	Exhaust Cap Assembly	1	110051, 4"	110052, 5"
121C	Inlet Air Cap Assembly	1	155635, 6"	53330, 8"
121D	Concentric Adapter Bracket	2	207232	
121E	Clear Sealant, 3 oz tube, D.C. #732	1	53335	
122	Horizontal Vent/Combustion Air Kit (same as Option CC6)	1	205882	205883
122A	Concentric Adapter Assembly	1	205884	205885
122B	Exhaust Cap Assembly	1	155096	53316
122C	Inlet Guard Assembly	1	151755	124940
122D	#10-16 x 1/2" TEKS (self-drilling screws for attaching 122C)	4	37661	
122E	Concentric Adapter Bracket	2	207232	
122F	Clear Sealant, 3 oz tube, D.C. #732	1	53335	53335

CODE 120 - Vent Cap

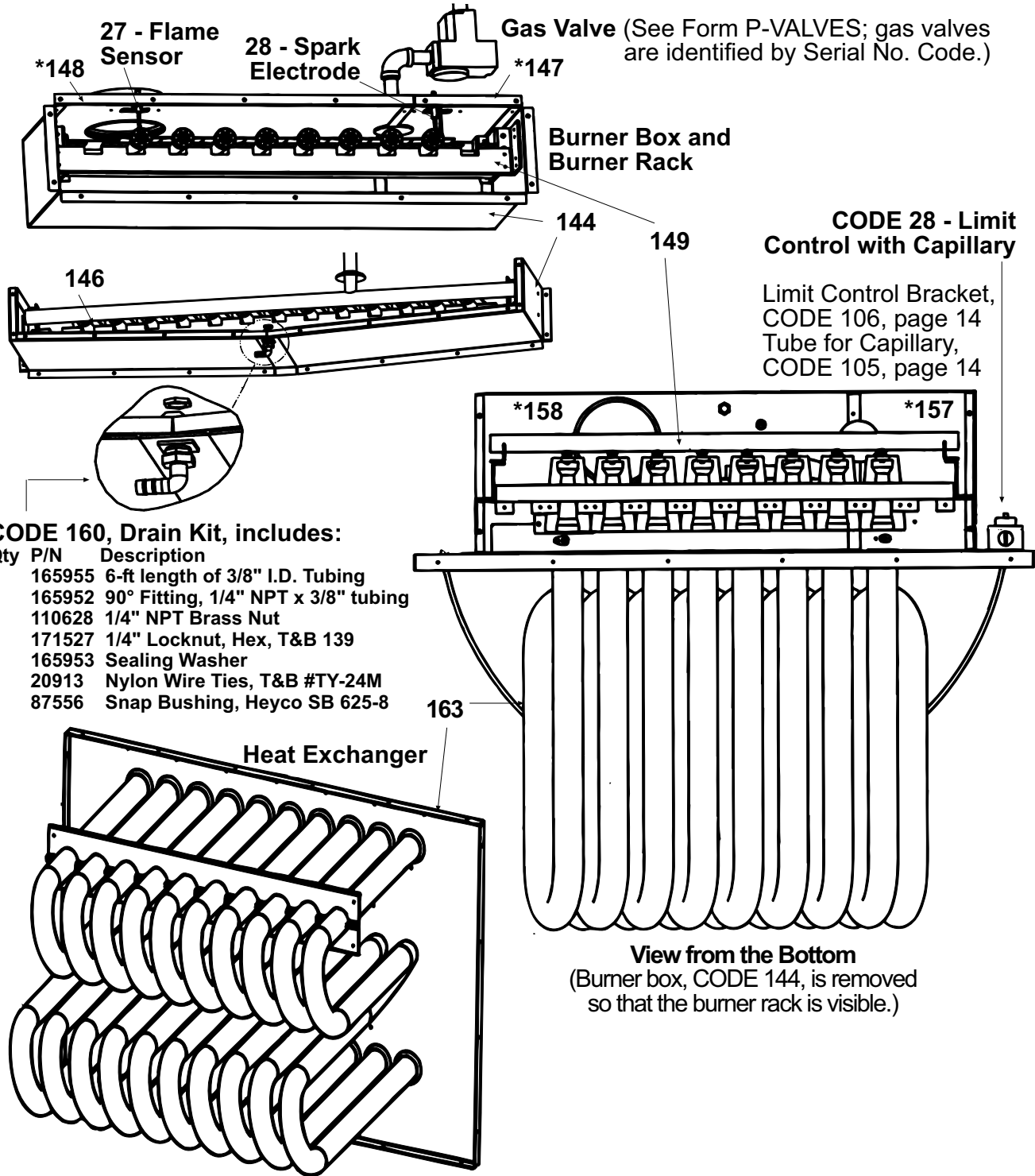


CODES 121 and 122 - Concentric Adapter Assembly for Separated-Combustion

<p>View of Heater Connection Side</p> <p>Collar for attaching the combustion air pipe from the heater</p> <p>Opening for vent pipe from the heater. The vent pipe extends through the box.</p>	<p>View of Vent Terminal Connection Side</p> <p>Collar for attaching the outside portion of the combustion air pipe (the vent pipe runs concentric through the outside portion of the combustion air pipe)</p>	<p>Important NOTE: Concentric adapter boxes manufactured prior to 2/01 had a collar on the "heater connection side" to attach the vent pipe. There was a factory-installed length of vent pipe through the box. If replacing a concentric adapter box manufactured prior to 2/01, the field-supplied vent pipe must be extended through the new box. Seal the opening around the vent pipe as it extends into the box.</p>	
<p>CODE 121B - Exhaust Cap for Vertical Separated-Combustion</p>	<p>CODE 121C - Inlet Air Cap for Vertical Separated-Combustion</p>	<p>CODE 122B - Exhaust Cap for Horizontal Separated-Combustion</p>	<p>CODE 122C - Inlet Air Guard for Horizontal Separated-Combustion</p>

Burner Box and Heat Exchanger

***IMPORTANT:** Burner box covers were redesigned for easier access. If replacing burner box covers (**CODE 147** or **148**) on a unit manufactured prior to 1/01, it is necessary to order the right side (**CODE 147**), the left side (**CODE 148**), left side gasket (**CODE 149**), the front cover (**CODE 158**) and the burner cover gasket (**CODE 159**).



CODE 160, Drain Kit, includes:

Qty	P/N	Description
1	165955	6-ft length of 3/8" I.D. Tubing
1	165952	90° Fitting, 1/4" NPT x 3/8" tubing
1	110628	1/4" NPT Brass Nut
1	171527	1/4" Locknut, Hex, T&B 139
1	165953	Sealing Washer
2	20913	Nylon Wire Ties, T&B #TY-24M
1	87556	Snap Bushing, Heyco SB 625-8

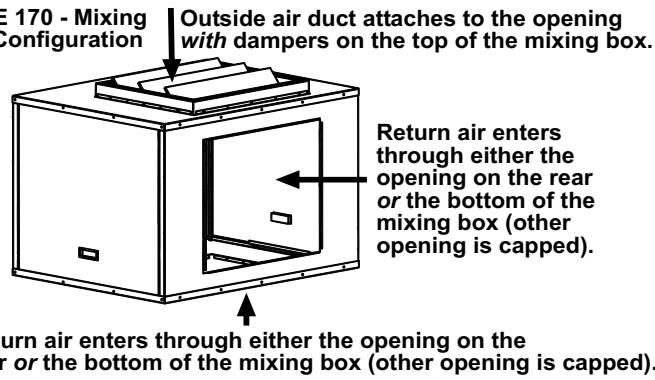
Code	Description	Qty	150	200	250	300	350	400	
134	Burner Box	Aluminized	1	193997	193998	193998	193999		
		409SS	1	258985	258986	258986	258987		
135	Drain Hole Seal	1	165741						
136	Manifold	1	151787	151788	160931	160932	160933	160934	
137	Burner/Manifold Support	2	160437	160437	160928				
138	Burner Orifices (sea level)	>	8	10	13	15	12	14	
		Natural Gas		164866	11833		11835	45870	
			2.1MM	#44		#37	#38		
		Propane		97359	11830	97359	11830	9789	61653
			1.25MM	#55	1.25MM	#55	#53	1.55MM	
139	Burner Rack Assy (burners and support rack)	1	163104	163105	163106	163107	163108	163109	
139A	Burner Support Rack	1	160625		160626		160627		
139B	Burner, Beckett	>	8	10	13	15	12	14	
		164870, #RZ11						164869, #RZ10	
140	Burner Box Air Baffle - Left (inside the burner box)	1	--	--	--	--	166317		
141	Burner Box Air Baffle - Right (inside the burner box)	1	--	--	--	--	166318		
142	Burner Box Gasket - Front Btm	2	162806		162807		162808		
143	Burner Box Gasket - Front Side	2	162800				169939		
144	Burner Box Gasket - Top Side	2	162801						
145	Burner Box Gasket - Side	2	162809				169940		
146	Burner Box Gasket - Btm Rear	2	161171		161172		161173		
*147	Burner Box Cover - Right Half Assy (including cover, gaskets, and viewport)	1	175280	175281	175282	175283	175284	175285	
147A	Burner Box Cover Right Half Gasket - Top	1	162803						
147B	Burner Box Cover Right Half Gasket - Front	1	162804						
147C	Burner Box Cover Right Half Gasket - Right	1	162811		162812		162813		
*148	Burner Box Cover - Left Half (150-300 include collar)	1	194003	194004	194024	194025	160936	160937	
149	Burner Box Cover Gasket - Left	1	162814		162815		162816		
150	Air Inlet Box (on top of the burner box, Sizes 350 & 400)	1	--	--	--	--	166315		
151	Air Inlet Box Gasket - Side	2	--	--	--	--	169937		
152	Air Inlet Box Gasket - Front	1	--	--	--	--	169936		
153	Air Inlet Cover with inlet air collar	1	--	--	--	--	166530		
154	Viewport Gasket (left side)	1	116037						
155	Viewport (left side)	1	115984						
156	Viewport Retainer (left side)	1	142711						
157	Static Pressure Tap, TDI #AA3743	2	116043						
158	Burner Front Cover	1	194124						
159	Burner Cover Gasket	1	194127						
160	Burner Condensate Drain Kit (for use with cooling coil)	1	165951						
161	Tube Clamp Support (See illustration on page 14.)	2	163435	163436	163437	163438	163439	163440	
162	Gas Conversion Kits (application by Serial No. valve code)	Natural to Propane	269833	269834	170815	170816	170817	170818	
		Propane to Natural	269849	269850	170810	170810	170811	170812	
163	Replacement Heat Exchanger Assy - Aluminized Steel	1	169963	169964	169965	169966	169967	169968	
	Replacement Heat Exchanger Assy - Stainless Steel	1	259384	259385	259386	259387	259388	259389	

Mixing Box (Outside and Return Air) Complete mixing box packages are shipped assembled for field installation.

MIXING BOX CONFIGURATIONS

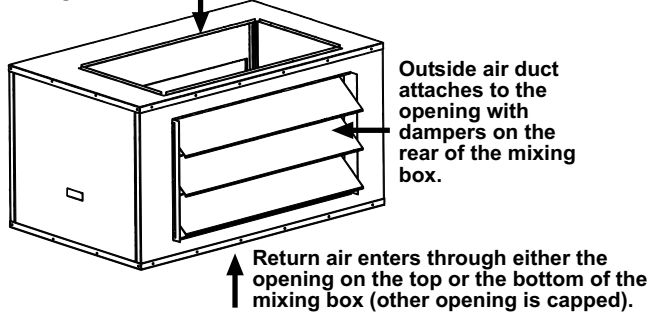
See list below
(CODES 170 - 178)
for cross-reference
of Option Codes
and P/N's by CAUA
Sizes.

CODE 170 - Mixing Box Configuration



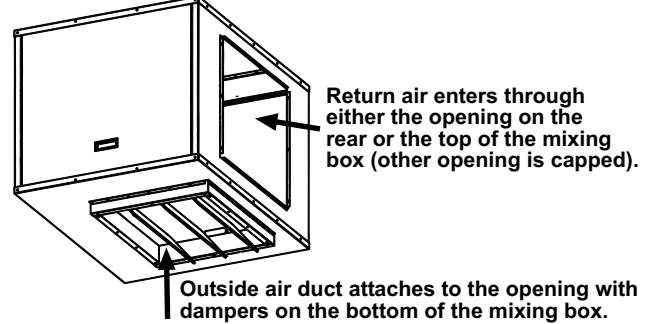
CODE 171 Mixing Box Configuration

Return air enters through either the opening on the top or the bottom of the mixing box (other opening is capped).



CODE 172 Mixing Box Configuration

Return air enters through either the opening on the rear or the top of the mixing box (other opening is capped).



Code	Mixing Box Configuration	Same as	150-200	250-400
170	Top Outside Air Opening with Dampers/Rear or Bottom Return Air Opening without Dampers	Opt GA1	167226	167227
171	Rear Outside Air Opening with Dampers/Top or Bottom Return Air Opening without Dampers	Opt GA2	167228	167229
172	Bottom Outside Air Opening with Dampers/Top or Rear Return Air Opening without Dampers	Opt GA3	167230	167231
173	Bottom Outside Air Opening with Dampers/Rear Return Air Opening with Dampers	Opt GA4	171277	171278
174	Bottom Outside Air Opening with Dampers/Top Return Air Opening with Dampers	Opt GA5	171279	171280
175	Rear Outside Air Opening with Dampers/Top Return Air Opening with Dampers	Opt GA6	171281	171282
176	Rear Outside Air Opening with Dampers/Bottom Return Air Opening with Dampers	Opt GA7	171283	171284
177	Top Outside Air Opening with Dampers/Rear Return Air Opening with Dampers	Opt GA8	171285	171286
178	Top Outside Air Opening with Dampers/Bottom Return Air Opening with Dampers	Opt GA9	171287	171288









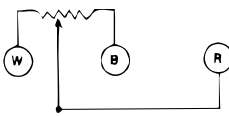

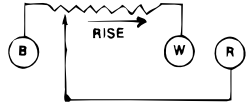

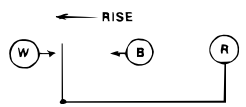


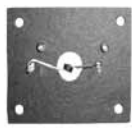

Mixing Box Cabinet Parts

Code	Description	150-200	250-400
179A	Top/Bottom Panel - open	170192	169952
179B	Top/Bottom Panel - solid	171768	171767
179C	Top/Bottom Panel with Duct Connection	170612	170616
180A	Top Panel w/Duct Connection & Damper Support	170623	170625
180B	Top Panel w/Damper & Damper Support	170624	170626
181	Bottom Panel with Damper	170627	170628
182A	Front (end) Panel - open	169945	169943
182B	Front (end) Panel - solid	171766	171765
182C	Front (end) Panel with Damper	170613	170617
183	Rear Panel	169949	169948
184	Door Channel	(2)169942	
185	Door with Handle	(2)170620	
186	Door Stop	(2)169950	
187	Damper Support	(2)173429	
188	Cabinet Leg (used on boxes with a solid bottom)	(2)161155	(2)161156
189	Dampers only	15869	15870

CODE 190 - Filter Rack and Filters for Mixing Boxes

Component Description	150-200	250-400
Filter Channel Assy	165035	165036
Filter Bracket Support	(2)169947	
Filter Assy Right Support	170195	
Filter Assy Left Support	170196	
Filter Support	160636	165018
Filter Support	170190	170189
Filter Support Channel	(2)160923	(2)160924
Filter Blockoff Plate	(2)196570	(2)106332
2" Pleated, 16" x 16"	(2)104109	(6)104109
2" Pleated, 16" x 20"	(2)104110	--
2" Permanent, 16" x 16"	(2)104103	(6)104103
2" Permanent, 16" x 20"	(2)101620	--

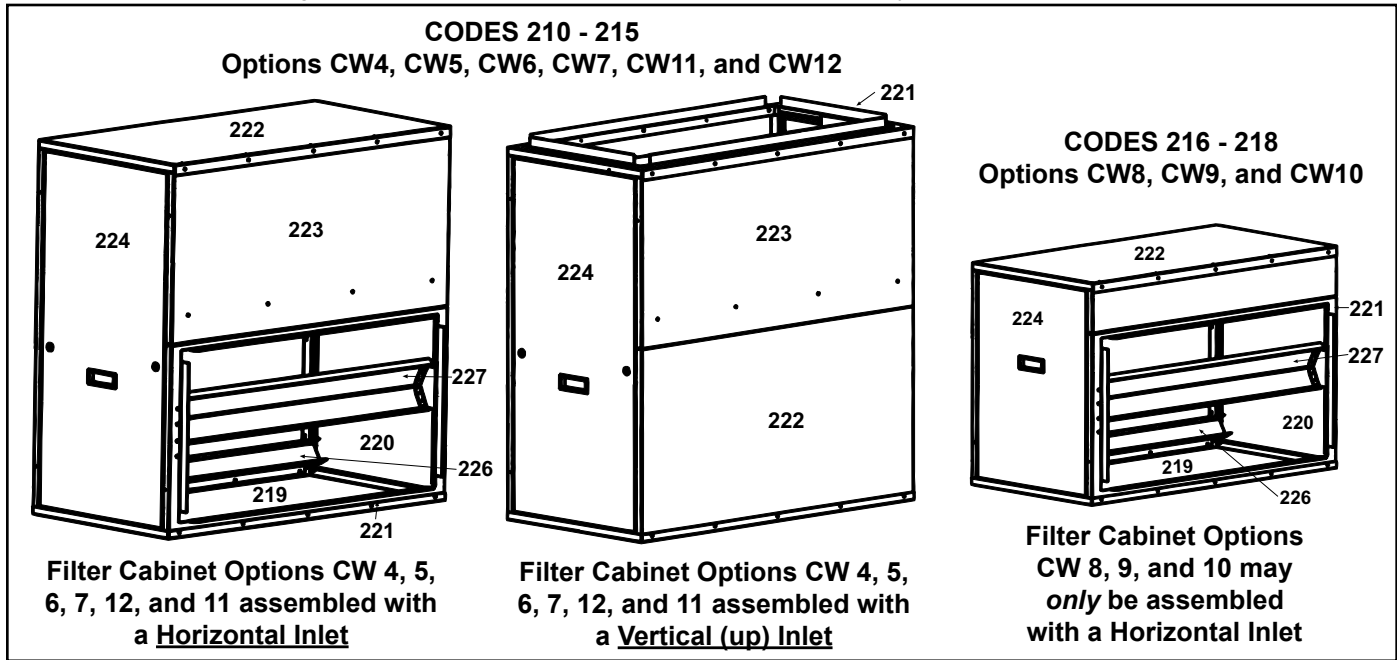
Mixing Box Damper Controls - See controls by option code (bottom of page). Transformer is on page 3.

<p>CODE 193A - Damper Motor for 2-Position Damper (open/closed), P/N 209351</p>  <p>If replacing previously used motor P/N 66376, order Replacement Kit, P/N 209423.</p>	<p>CODE 193B - Modulating Damper Motor, M/H M9185AE1019 with two end switches, P/N 115682</p> 	<p>CODE 193C - Modulating Damper Motor, M/H #M7415A-1006, P/N 196302</p> 	<p>Damper Linkage</p> <p>CODE 195, P/N 12635 </p> <p>CODE 196, P/N 66277 </p> <p>CODE 197, P/N12636 </p> <p>CODE 198, P/N 116209 </p>
<p>CODE 200 - Potentiometer, M/H 112894FA, P/N 16110</p>  	<p>CODE 201 - Mixed Air Controller, M/H T991-1004, P/N 16109</p>  	<p>CODE 202 - Outside Air Controller, J/C#A19AAF-120, P/N 126170</p>  	
<p>CODE 204 - Logic Module, M/H #W7459A 1001, P/N 196289</p> <p>(in Option GC3B)</p> 	<p>CODE 205 - Enthalpy Sensor, M/H C7400A 1004, P/N 196290</p> <p>(in Option GC3B)</p> 	<p>CODE 206 - Mixed Air Sensor, M/H C7150B 1004 P/N 196291</p> <p>(in Option GC3C)</p> 	<p>CODE 207 - Electronic Enthalpy Control, M/H H705A1003, P/N 177230</p> <p>(in Option GC3C)</p> 

Code	Description	P/N	GB2	GB2	GB3	GB4	GC1A and GC1B	GC3A	GC3B with GB4	GC3C with GB2	GC4 with GB2
			with GA1-3				with GA4-9				
191	Electrical Enclosure	171770	X	X	X	X					
192	Enclosure Cover	171771	X	X	X	X					
193A	2-Position Damper Motor, J/C M9206-BGB-201	209351	X	X							
193B	Modulating Damper Motor, #M9175D1014 (2 end switches)	115682			X						
193C	Modulating Damper Motor	196302				X					
194A	Damper Rod, 1/4 x 9-1/2" Lg	114467			X (GA4,5,6,7)	X (GA4,5,6,7)					
194B	Damper Rod, 1/4 x 11" Lg	14226	X (GA1)	X (GA4,5,6,7)							
194C	Damper Rod, 1/4 x 19" Lg	171773			X (GA4,6,8,9)	X (GA4,6,8,9)					
194D	Damper Rod, 1/4 x 22" Lg	26299	X (GA2,3)	X (GA4,6,8,9)	X (GA5,7,8,9)	X (GA5,7,8,9)					
194E	Damper Rod, 1/4 x 24" Lg	171774		X (GA5,7,8,9)							
195	Damper Arm, #26026	12635	(3) X	(3) X							
196	Crank Arm, W/R #135-0002	66277	X	X							
197	Ball and Socket, M/H #27518	12636	(2) X	(4) X	(4) X	(4) X					
198	Crank Arm M/H #221455A	116209			X	X					
199	Damper Arm Adjustment Plate	115687		X	X	X					
200	Potentiometer, M/H #112894FA	16110					X				
201	Mixed Air Controller, M/H #T991A-1004	16109						X			
202	Outdoor Air Controller, J/C #A19AAF-120	126170									X
203	Bulb holder	171772							X		X
204	Logic Module	196289							X		
205	Enthalpy Sensor	196290							X		
206	Mixed Air Sensor	196291							X	X	
207	Electronic Enthalpy Control	177230								X	

Side and Rear Return Air Filter Cabinets

If a complete cabinet package is ordered, cabinet is shipped unassembled. Assembly is required.



Filter Cabinet Packages and Components by Option (order parts by P/N; not Option No.)

Code	Side and Rear Filter Cabinets for Model CAUA	150/200/ 250/300		350/400		150/200		250/300/ 350/400		150/200	
		Qty	P/N	Qty	P/N	Qty	P/N	Qty	P/N	Qty	P/N
210	Option CW4 (with 2" pleated filters) - Pkg P/N	1	166153	1	166156						
211	Option CW5 (with 2" permanent filters) - Pkg P/N	1	166154	1	166157						
212	Option CW6 (for field-supplied 2" filters) - Pkg P/N	1	166155	1	166158						
213	Option CW7 (with 2" pleated filters) - Pkg P/N					1	166153	1	166156		
214	Option CW12 (with 2" permanent filters) - Pkg P/N					1	166154	1	166157		
215	Option CW11 (for field-supplied 2" filters) - Pkg P/N					1	166155	1	166158		
216	Option CW8 (with 2" pleated filters) - Pkg P/N									1	166159
217	Option CW9 (with 2" permanent filters) - Pkg P/N									1	166160
218	Option CW10 (for field-supplied 2" filters) - Pkg P/N									1	166161
Components	Component Usage by Filter Cabinet Inlet Location (CW 8, 9, 10 is horizontal only)	Filter Cabinet Attaches to Side of Heater - Horizontal or Vertical Inlet				Filter Cabinet Attaches to Rear of Heater - Horizontal or Vertical Inlet				Attaches to Side or Rear - Horizontal Inlet Only	
		Qty	P/N	Qty	P/N	Qty	P/N	Qty	P/N	Qty	P/N
219	Bottom Panel	1	160925	1	160926	1	160925	1	160926	1	164537
220	Side Panel	1	160634	1	160634	1	160634	1	160634	1	164536
221	Rear or Top Inlet Panel (w/duct flange)	1	160927	1	164520	1	160927	1	164520	1	164533
222	Top Panel or Bottom Rear Panel	1	160630	1	160631	1	160630	1	160631	1	164537
223	Top Rear Panel	1	160632	1	160633	1	160632	1	160633		--
224	Door Panel Assy (w/handle and latch)	1	165033	1	165033	1	165033	1	165033	1	166148
225	Door Channel	2	160635	2	160635	2	160635	2	160635	1	164535
226	Filter Support	2	160636	2	165018	2	160636	2	165018	2	164704
227	Filter Support Channel	2	160923	2	160924	2	160923	2	160924	2	164532
228	Filter Support	2	164524	2	164525	2	164524	2	164525		--
229	Filter Channel Assy	1	165035	1	165036	1	165035	1	165036	1	166147
230	Sheetmetal Screws #10-32 x 1/2" long	54	113275	54	113275	54	113275	54	113275	20	113275
231	Corner Braces for CW 4, 5, 6, 7, 12, 11	2	166151	2	166151	2	166151	2	166151		--
232	2" Permanent Filters* in Options CW5, CW12, and CW9	4	104103	6	104103	4	104103	6	104103	4	114325
233	2" Pleated Filters* in Options CW4, CW7, and CW8	4	104109	6	104109	4	104109	6	104109	2	114324



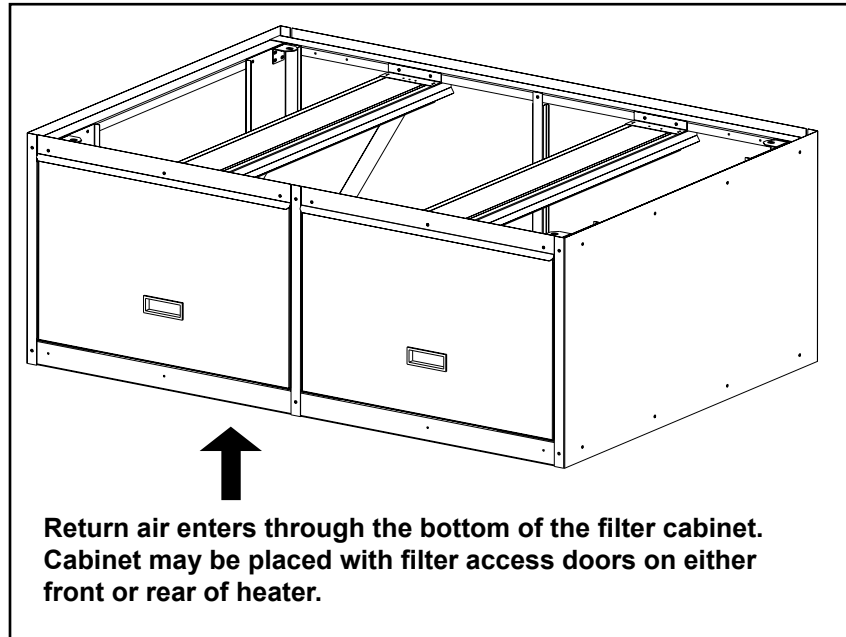
*Filter Dimensions

P/N	Size
104103	16 x 16
114325	12 x 16
104109	16 x 16
114324	12 x 32

**Bottom Return
Air Filter Cabinet,
Options CW 13, 14,
15, and 16**

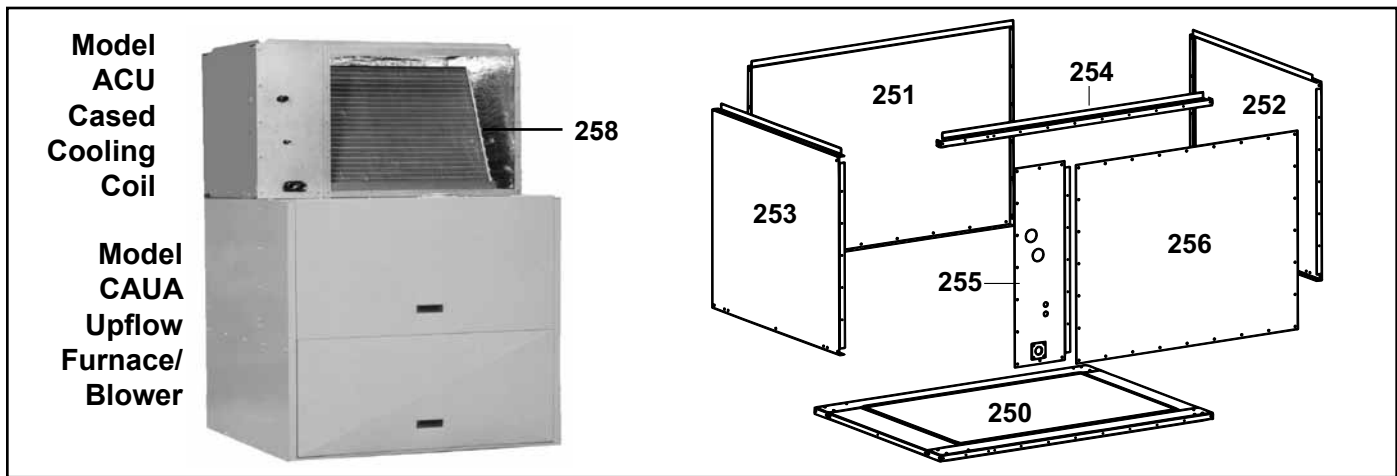
If a complete cabinet package is ordered, cabinet is assembled at the factory before shipping.

Filters and cabinet outer panels are listed here. If other components are required, contact your distributor.



CODE	Model CAUA Size	150/200	250/300	350/400
235	Option CW13, Btm Cabinet w/CODE 215A filters	195165	195166	195167
236	Option CW14, Btm Cabinet w/CODE 216A filters	195154	195155	195156
237	Option CW15, Btm Cabinet w/CODE 217A filters	195157	195158	195159
238	Option CW16, Btm Cabinet with filter racks for field-supplied 2" filters	195160	195161	195162
Filter P/N's - All filters are 2" x 16" x 16"				
235A	Disposable filters in Option CW13	(6)104101	(8)104101	(12)104101
236A	Pleated disposable filters Option CW14	(6)104109	(8)104109	(12)104109
237A	Permanent aluminum filters in Option CW15	(6)104103	(8)104103	(12)104103
Cabinet Outer Parts , Filter Racks, and Blockoff Plate:				
239	Side Panel	(2)194686	(2)194675	
240	Rear Panel	194677	194662	
241	Top Door Cover	194686	(2)194672	
242	Door Assembly	194938	(2)194939	
243	Filter Rack Assembly - Single	(2)194916	(4)194916	(4)194917
244	Filter Rack Assembly - Double	(2)194914		(2)194915
245	Filter Blockoff	(3)195164	(4)195164	

Cased Cooling Coil Model ACU or Option C

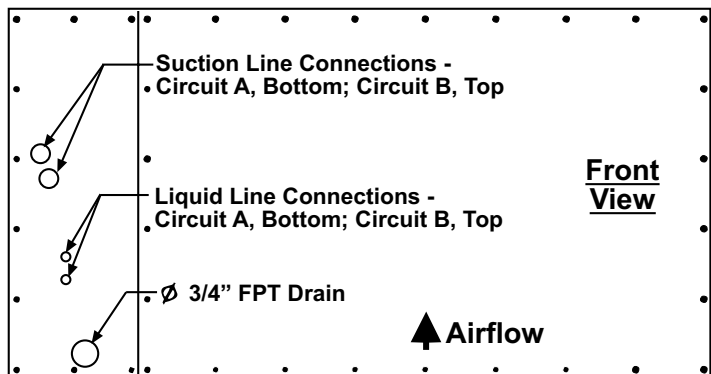


Model ACU Cased Cooling Coil		ACUA with 060	ACUA with 072	ACUA with 090	ACUB with 090	ACUB with 120	ACUB with 150	ACUC with 120	ACUC with 150	ACUC with 180
Model CAUA		150/200	150/200	150/200	250/300	250/300	250/300	350/400	350/400	350/400
with Option		C060	C072	C090	C090	C120	C150	C120	C150	C180
Code	Description	Replacement P/N's								
250	Casing Inner Assembly	164749			164750			164751		
251	Casing Back Assembly	165988			165989			165990		
252	Casing Right Side Assembly	165991			165992			165992		
253	Casing Left Side Assembly	165993			165993			165994		
254	Casing Top Front	164735			164736			164736		
255	Casing Panel Assy (includes 255A-D plus insulation)	165995	174862	165996			165997			
255A	Casing Panel only	164724			164725			164726		
255B	Grommet	Kennerd #375-C, 3/8"	165171	--	(2)165171		--	(2)165171	--	--
		Kennerd #500, 1/2"	--	111067	--	--	--	(2)111067	--	(2)111067
		Kennerd 1020-T, 7/8"	102607		(2)102607					
255C	Drain Cover Gasket	164705			164705					
255D	Drain Cover Plate	164706			164706					
256	Door Assembly	165998			165999			166000		
257	Coil Clamp (not illustrated) (2)	171276			171276					

Codes 260 and 262 for R-410A Refrigerant

Codes 265 and 267 for R22 Refrigerant

Thermostatic Expansion Valve is attached at the Liquid Line connection with the bulb on the Suction Line



CAUTION: The thermostatic expansion valve must be for the right refrigerant (R-410A or R22) and must be sized to match the circuit. Failure to properly select and size the thermostatic expansion valve will prevent the system from operating properly and will void the manufacturer's warranty.

Replacement Coils, Thermostatic Expansion Valves, and Reducers for R-410A Refrigerant

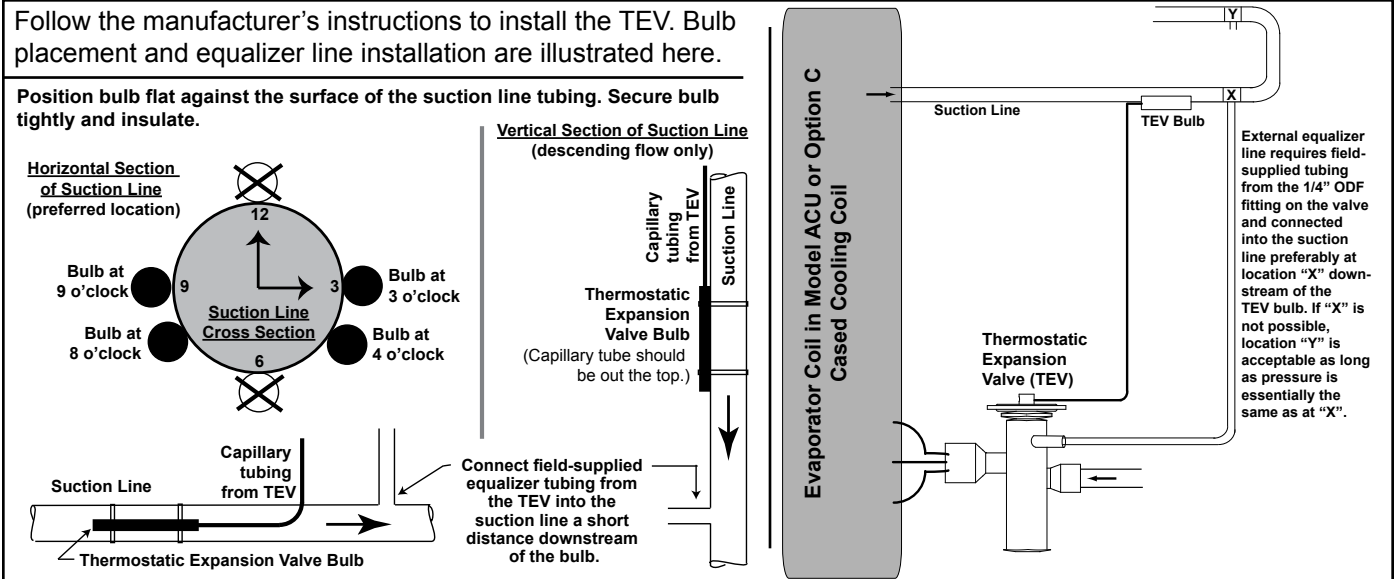
Model	Size	Circuit		CODE 258 - Evaporator Coil only				CODE 259 - TEV Kit P/N for R-410A includes 260, 261, 262, 263	Circuit A (BOTTOM Liquid Line Inlet and BOTTOM Suction Connection) - See Front View, page 22.				Circuit B (TOP Liquid Line Inlet and TOP Suction Connection) - See Front View, page 22.								
				P/N	Row	FH	FL		FPI	Distributor (on coil) Connection	CODE 260 - Reducer	CODE 261 - TEV				Distributor (on coil) Connection	CODE 262 - Reducer	CODE 263 - TEV			
		P/N	Mfr									Outlet	*Inlet	P/N	Mfr			Outlet	*Inlet		
ACUA	060	Single	AUD1	257328	2	20	28	10	258856	5/8	216428	234052	BBIZE-5	7/8	5/8						
	060	1/3-2/3	AUD3	258846	2	20	28	10	258858	5/8	None	220552	BBIZE-2	5/8	1/2	5/8	None	220553	BBIZE-3	5/8	5/8
	072	Single	AUD1	257329	2	20	28	12	258857	7/8	None	220555	BBIZE-6	7/8	5/8						
	090	50/50	AUD2	257538	3	24	28	10	258860	5/8	216428	220554	BBIZE-4	7/8	5/8	5/8	216428	220554	BBIZE-4	7/8	5/8
	090	1/3-2/3	AUD3	257330	3	24	28	10	258861	5/8	None	220553	BBIZE-3	5/8	5/8	5/8	216428	234052	BBIZE-5	7/8	5/8
ACUB	090	50/50	AUD2	257539	2	24	42	12	258860	5/8	216428	220554	BBIZE-4	7/8	5/8	5/8	216428	220554	BBIZE-4	7/8	5/8
	090	1/3-2/3	AUD3	257331	2	24	42	12	258861	5/8	None	220553	BBIZE-3	5/8	5/8	5/8	216428	234052	BBIZE-5	7/8	5/8
	120	50/50	AUD2	257540	3	20	42	10	258862	5/8	216428	234052	BBIZE-5	7/8	5/8	5/8	216428	234052	BBIZE-5	7/8	5/8
	120	1/3-2/3	AUD3	257332	3	20	42	10	258863	5/8	None	220553	BBIZE-3	5/8	5/8	7/8	None	220555	BBIZE-6	7/8	5/8
	150	50/50	AUD2	257541	3	24	42	12	258864	7/8	None	220555	BBIZE-6	7/8	5/8	7/8	None	220555	BBIZE-6	7/8	5/8
ACUC	120	50/50	AUD2	257542	2	30	41	12	258862	5/8	216428	234052	BBIZE-5	7/8	5/8	5/8	216428	234052	BBIZE-5	7/8	5/8
	120	1/3-2/3	AUD3	257334	2	30	41	12	258863	5/8	None	220553	BBIZE-3	5/8	5/8	7/8	None	220555	BBIZE-6	7/8	5/8
	150	50/50	AUD2	257543	3	27	41	10	258864	7/8	None	220555	BBIZE-6	7/8	5/8	7/8	None	220555	BBIZE-6	7/8	5/8
	150	1/3-2/3	AUD3	257335	3	27	41	10	258866	5/8	216428	220554	BBIZE-4	7/8	5/8	1-1/8	216432	220557	BBIZE-8	7/8	5/8
	180	50/50	AUD2	257544	3	30	41	10	258867	1-1/8	216432	220557	BBIZE-8	7/8	5/8	1-1/8	216432	220557	BBIZE-8	7/8	5/8
180	1/3-2/3	AUD3	257336	3	30	41	10	258868	5/8	216428	234052	BBIZE-5	7/8	5/8	1-1/8	216432	220557	BBIZE-8	7/8	5/8	

*The inlet to the thermostatic expansion valve is the tubing connection size.

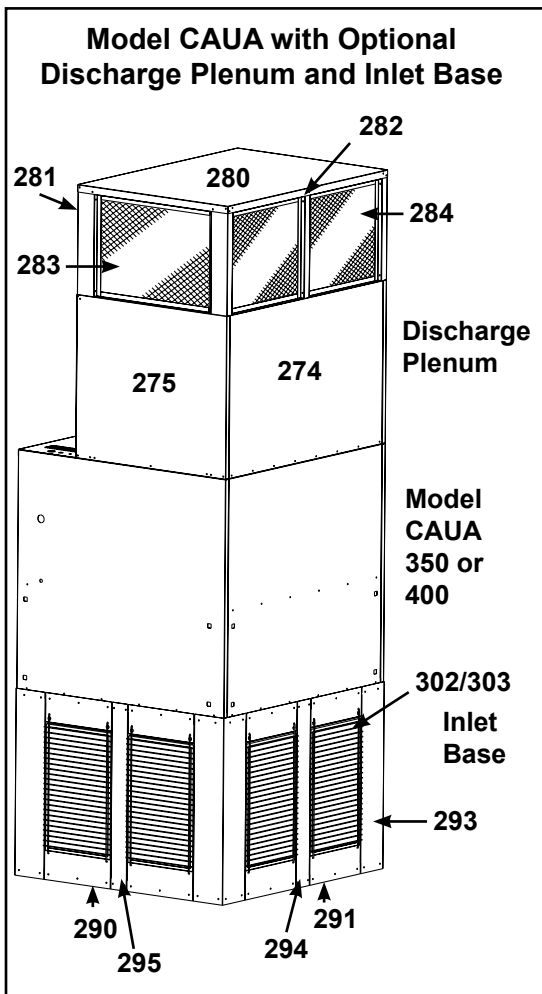
Replacement Coils, Thermostatic Expansion Valves, and Reducers for R-22 Refrigerant

Model	Size	Circuit		CODE 264 - Evaporator Coil only				CODE 265 - TEV Kit P/N for R22 includes 266, 267, 268, 269	Circuit A (BOTTOM Liquid Line Inlet and Suction Connection) - See Front View, page 22..				Circuit B (TOP Liquid Line Inlet and TOP Suction Connection) - See Front View, page 22..								
				P/N	Row	FH	FL		FPI	Distributor (on coil) Connection	CODE 266 - Reducer	CODE 267 - TEV				Distributor (on coil) Connection	CODE 268 - Reducer	CODE 269 - TEV			
		P/N	Mfr									Outlet	*Inlet	P/N	Mfr			Outlet	*Inlet		
ACUA	060	Single	AUD1	257328	2	20	28	10	258869	5/8	235131	179306	BBIVE-5	1/2	1/2						
	072	Single	AUD1	257329	2	20	28	12	258870	7/8	None	179307	BBIVE-6	7/8	1/2						
	090	50/50	AUD2	257538	3	24	28	10	258871	5/8	235131	176302	BBIVE-4	1/2	1/2	5/8	235131	176302	BBIVE-4	1/2	1/2
ACUB	090	1/3-2/3	AUD3	257330	3	24	28	10	258872	5/8	235131	177381	BBIVE-3	1/2	1/2	5/8	235131	179306	BBIVE-5	1/2	1/2
	090	50/50	AUD2	257539	2	24	42	12	258871	5/8	235131	176302	BBIVE-4	1/2	1/2	5/8	235131	176302	BBIVE-4	1/2	1/2
	090	1/3-2/3	AUD3	257331	2	24	42	12	258872	5/8	235131	177381	BBIVE-3	1/2	1/2	5/8	235131	179306	BBIVE-5	1/2	1/2
	120	50/50	AUD2	257540	3	20	42	10	258873	5/8	235131	179306	BBIVE-5	1/2	1/2	5/8	235131	179306	BBIVE-5	1/2	1/2
	120	1/3-2/3	AUD3	257332	3	20	42	10	258874	5/8	235131	177381	BBIVE-3	1/2	1/2	7/8	None	179307	BBIVE-6	7/8	1/2
ACUC	150	50/50	AUD2	257541	3	24	42	12	258875	7/8	None	179307	BBIVE-6	7/8	1/2	7/8	None	179307	BBIVE-6	7/8	1/2
	150	1/3-2/3	AUD3	257333	3	24	42	12	258876	5/8	235131	176302	BBIVE-4	1/2	1/2	7/8	None	194153	BBIVE-8	7/8	1/2
	120	50/50	AUD2	257542	2	30	41	12	258873	5/8	235131	179306	BBIVE-5	1/2	1/2	5/8	235131	179306	BBIVE-5	1/2	1/2
	120	1/3-2/3	AUD3	257334	2	30	41	12	258874	5/8	235131	177381	BBIVE-3	1/2	1/2	7/8	None	179307	BBIVE-6	7/8	1/2
	150	50/50	AUD2	257543	3	27	41	10	258875	7/8	None	179307	BBIVE-6	7/8	1/2	7/8	None	179307	BBIVE-6	7/8	1/2
150	1/3-2/3	AUD3	257335	3	27	41	10	258877	5/8	235131	176302	BBIVE-4	1/2	1/2	1-1/8	216432	194153	BBIVE-8	7/8	1/2	
180	50/50	AUD2	257544	3	30	41	10	258878	1-1/8	216432	194153	BBIVE-8	7/8	1/2	1-1/8	216432	194153	BBIVE-8	7/8	1/2	
180	1/3-2/3	AUD3	257336	3	30	41	10	258879	5/8	235131	179306	BBIVE-5	1/2	1/2	1-1/8	216432	194153	BBIVE-8	7/8	1/2	

*The inlet to the thermostatic expansion valve is the tubing connection size.



Inlet Base and Discharge Plenum - Applies to CAUA Sizes 350 and 400



Screened Discharge Plenum

Code	Description	350/400
270	Screened Discharge Plenum Package (Same as Option CD60)	176351
271	Screened Discharge Plenum with Blockoff Plates Package (Same as Option CD61)	176364
272	Screened Discharge Plenum for High Velocity Discharge (with cooling coil, page 17) (Same as Option CD62)	176365
Components:		Applies to Option
273	Cabinet Inner Assembly	CD60, CD61, CD62 164751
274	Cabinet Back with Insulation	CD60, CD61, CD62 165990
275	Cabinet Right Side with Insulation	CD60, CD61, CD62 165992
276	Cabinet Left Side with Insulation	CD60, CD61, CD62 165994
277	Cabinet Top Front	CD60, CD61, CD62 164736
278	Cabinet Panel with Insulation	CD60, CD61 176360
		CD62 165997
279	Access Door with Insulation	CD60, CD61, CD62 166000
280	Cabinet Top	CD60, CD61, CD62 176340
281	Corner Post	CD60, CD61, CD62 (2) 176339
		CD60, CD61, CD62 (2) 176335
282	Center Post	CD60, CD61, CD62 (2) 176338
283	Screens for Ends	CD60, CD61, CD62 (4) 176357
284	Screens for Sides	CD60, CD61, CD62 (2) 176358
285	Screen Retainers	CD60, CD61, CD62 (4) 176342
		CD60, CD61, CD62 (12) 176341
		CD60, CD61, CD62 (8) 176356
286	Discharge Blockoff (side full)	CD61 176366
287	Discharge Blockoff (end full)	CD61 (2) 176367
288	Discharge Blockoff (side half)	CD62 (4) 176368
289	Discharge Blockoff (end half)	CD62 (2) 176369

Inlet Base - Applies to CAUA Sizes 350 and 400

Code	Description	CAUA 350/400
290	Base Ends	(2) 176333
291	Base Sides	(2) 176335
292	Leveler	(4) 176347
293	Corner Post	(4) 176332
294	Center Post (side)	(2) 176330
295	Center Post (end)	(2) 176331
296	Base Top Rail (side)	(2) 176337
297	Top Rail (end)	(2) 176336
298	Inner Leg	(4) 176334
299	Mounting Plate	(4) 176344
300	Top Filler Panel	(8) 176345
301	Bottom Filler Panel	(8) 176346
302	Filter Guard	(8) 176303
303	Filter Guard Receiver	(16) 176511
304	1" Filters, 16" x 25"	Disposable (8) 16447
		Permanent (8) 101609
		Pleated Disposable (8) 104107

Specifications & illustrations subject to change without notice and without incurring obligations.

© Nortek Global HVAC, LLC 2016. All rights reserved.

All marks are the property of their respective organizations.

O'Fallon, MO I Printed in U.S.A. (1/16)

Form P-CAUA(1-16), P/N 271166 R10